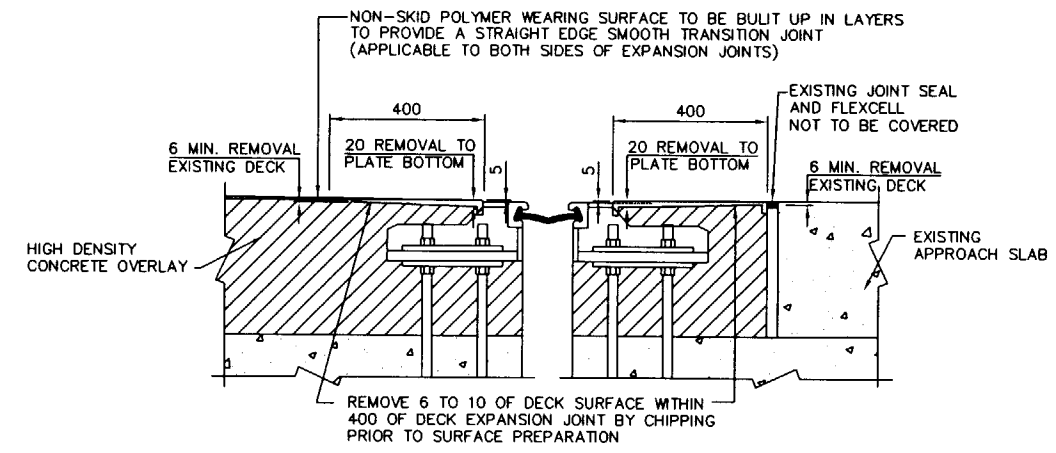
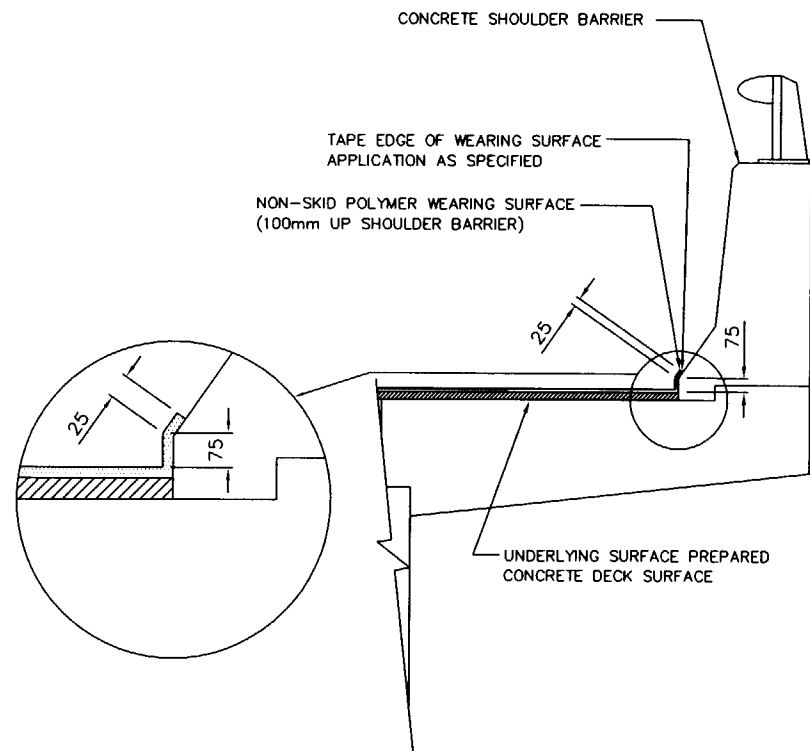


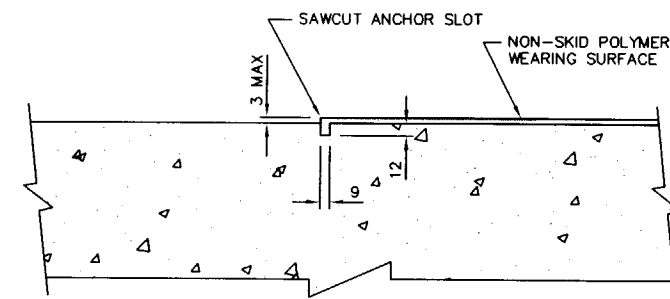
DECK REPAIR DETAILS
N.T.S.





EXPANSION JOINT (TYPICAL)
N.T.S.



TRAFFIC BARRIER DETAIL (TYPICAL)
N.T.S.



TYPICAL ANCHOR DETAIL
N.T.S.

S.M. ELEV.	DESIGNED BY	M.R.T.	ENGINEER'S SEAL  B.A.J. NEIRINK PROFESSIONAL ENGINEER	 THE CITY OF WINNIPEG PUBLIC WORKS DEPARTMENT ENGINEERING DIVISION	SHEET 2 OF 2
	DRAWN BY	M.R.T.			
	CHECKED BY	B.A.N.			
	APPROVED BY	B.A.N.			
	AUTHORIZED BY	DATE			
NO. REVISIONS	DATE BY	B.A. NEIRINK BRIDGE PLANNING & OPERATIONS ENGINEER	BID OPPORTUNITY NO.: 458 - 2005	EMPRESS STREET OVERPASS OVER PORTAGE AVENUE CONCRETE BRIDGE DECK SURFACE SEALING	HOR. SCALE: N.T.S. VERTICAL: N.T.S. CITY DRAWING NUMBER B100-05-02
				WEARING SURFACE DETAILS	