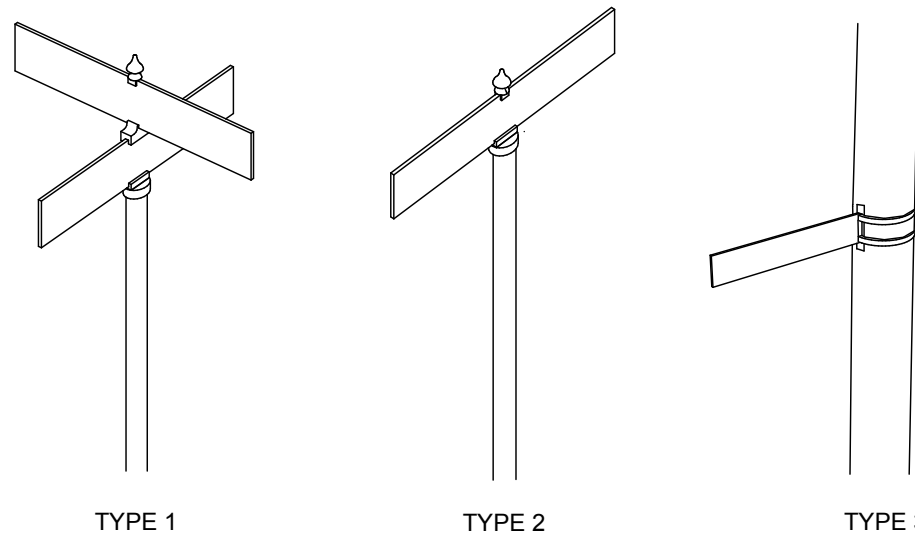


SCALE 1:2000

STREET NAME SIGN TYPES






STREET NAME SIGNS		
NO.	STREET NAMES	TYPE
1	WESTMINSTER AVE. / LIPTON ST.	1
2	WESTMINSTER AVE. / RUBY ST.	1
3	WESTMINSTER AVE. / LENORE ST.	1
4	WESTMINSTER AVE. / EVANSON ST.	1
5	WESTMINSTER AVE.	3
6	ARLINGTON ST.	2
7	ARLINGTON ST.	3
8	WESTMINSTER AVE.	3
9	WESTMINSTER AVE. / HOME ST.	1
10	WESTMINSTER AVE. / ETHELBERT ST.	1
11	WESTMINSTER AVE. / CANORA ST.	1
12	WESTMINSTER AVE. / CHESTNUT ST.	1
13	WESTMINSTER AVE. / WALNUT ST.	1

NOTES:

BANNER/BIRDHOUSE & BUTTERFLY HOUSE ASSEMBLIES ARE TO BE LOCATED ON EXISTING WOODEN HYDRO POLES. INSTALLATION IS BY MANITOBA HYDRO FORCES.

LEGEND

-  LOCATION OF BANNER/BIRDHOUSE ASSEMBLY
-  LOCATION OF BANNER/BUTTERFLY HOUSE ASSEMBLY
-  LOCATION OF STREET NAME SIGNS

B.M.	ELEV.	YY.MM.DD
3	ISSUED FOR TENDER	05.08.05
2	ISSUED FOR REVIEW	05.07.20
1	ISSUED FOR REVIEW	05.06.02
NO.	REVISIONS	DATE BY

**HILDERMAN THOMAS FRANK & CRANE**

Landscape Architecture • Planning  
500 - 115 Bannatyne Avenue East, Winnipeg, MB R3B 0R3  
Phone: 204.944.9907 Fax: 204.957.1467

DESIGNED: RGM/RC DRAWN: MB  
SCALE: AS NOTED APPROVED: RGM  
DATE: 2005.08.12

**Manitoba Association of Landscape Architects**  
Glen Manning  
Member No. 81

CONSULTANT DRAWING NO. 04-033-L15

**THE CITY OF WINNIPEG**  
PUBLIC WORKS DEPARTMENT  
ENGINEERING DIVISION

WESTMINSTER AVENUE / WOLSELEY AVENUE  
STREETSCAPE IMPROVEMENTS

BANNER/BIRDHOUSE/ STREET  
NAME SIGN LAYOUT PLAN

CITY DRAWING NUMBER  
452-2005  
SHEET 15 OF 28

L15

DATE PLOTTED: 8/17/05