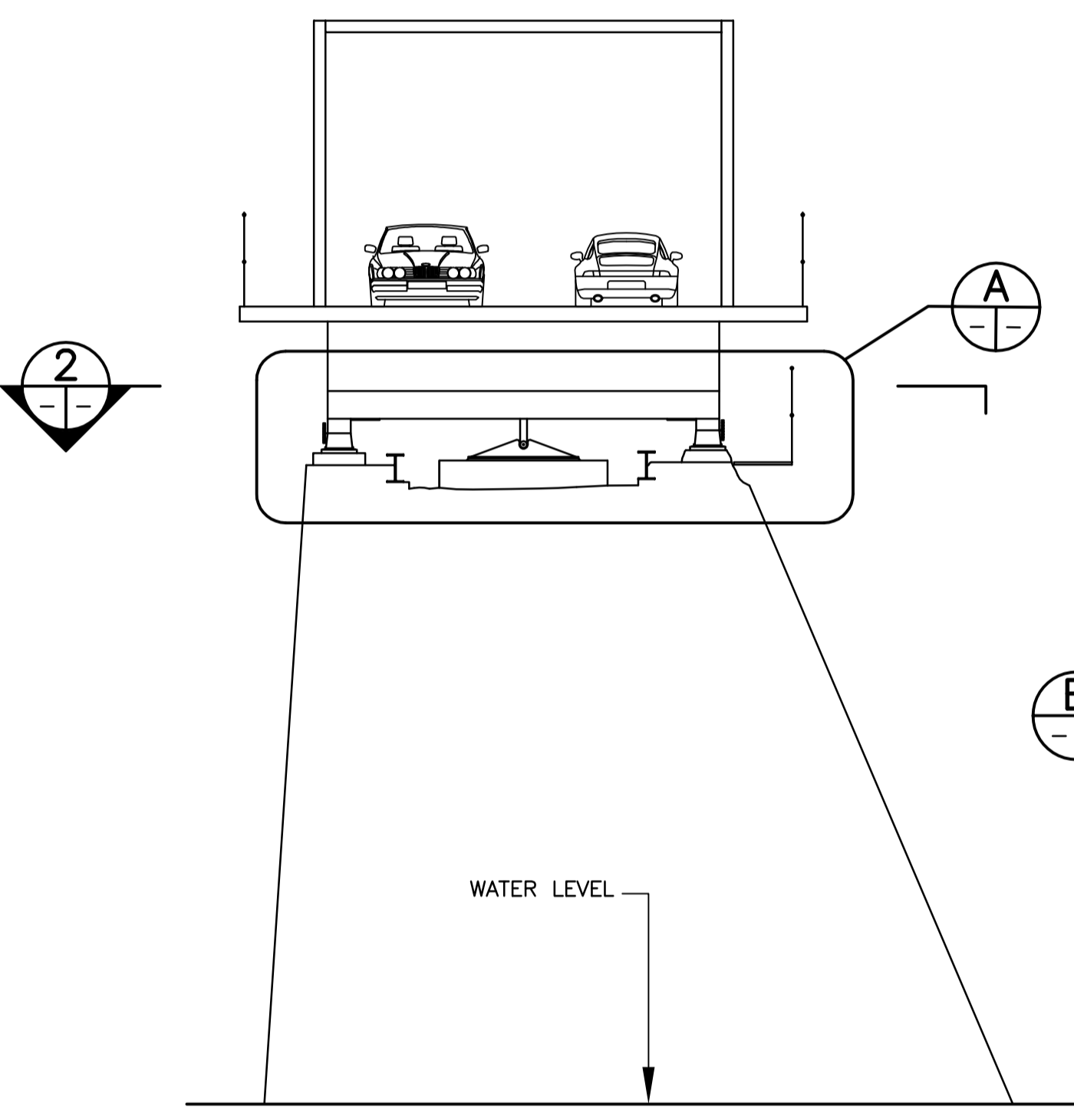
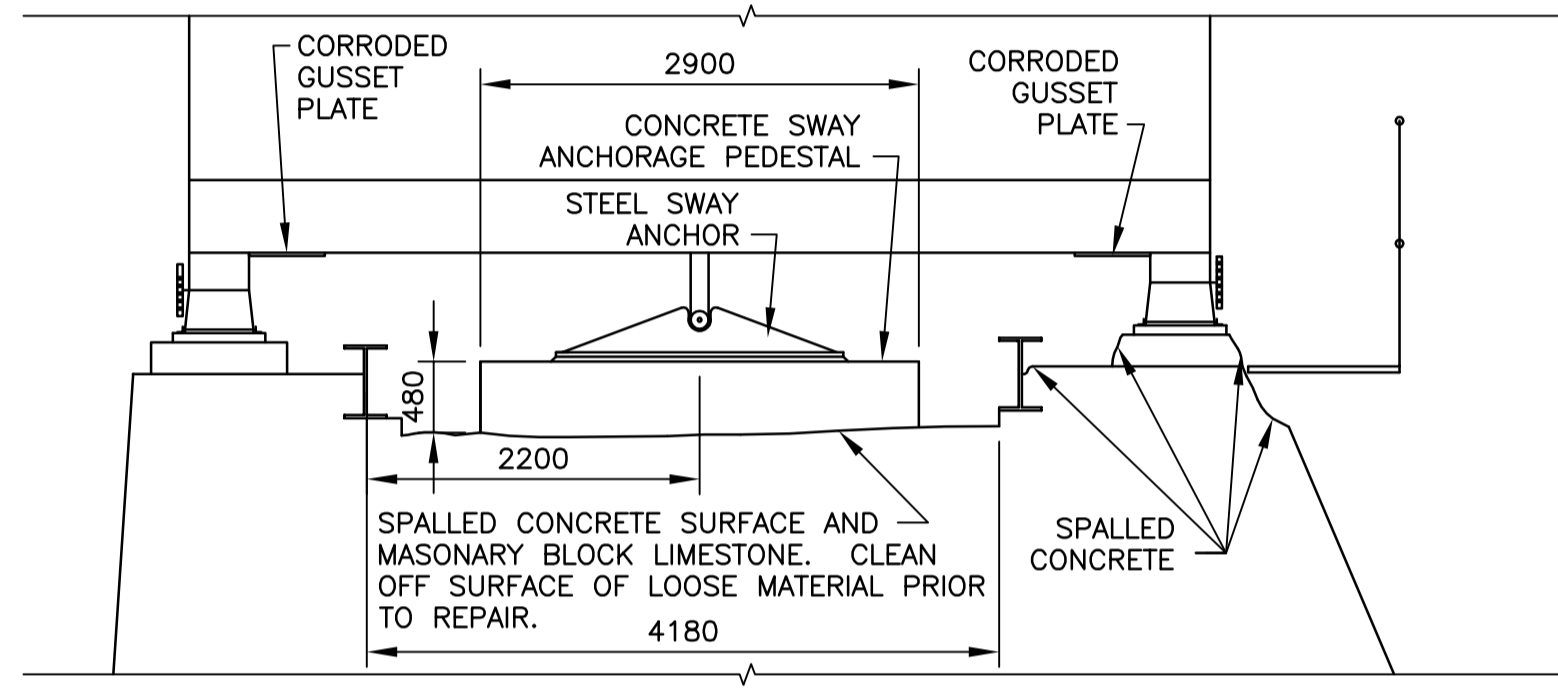


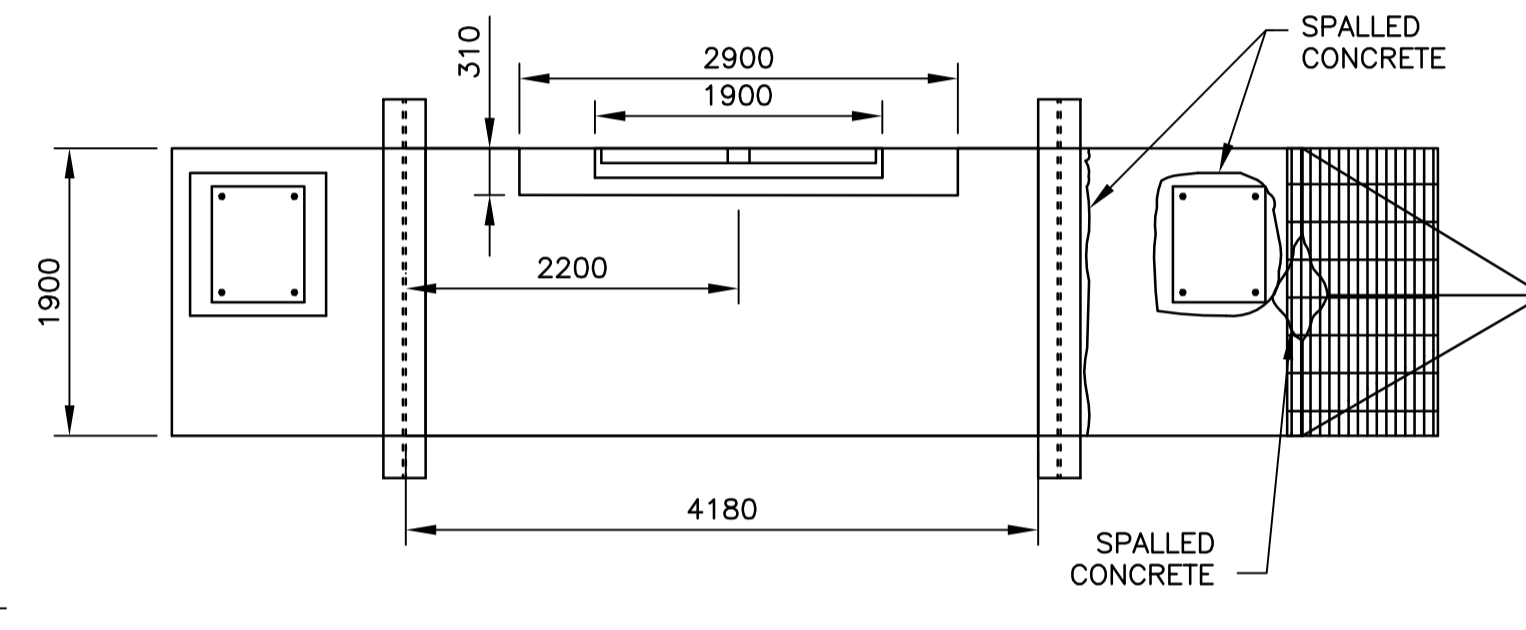
LOCATION PLAN



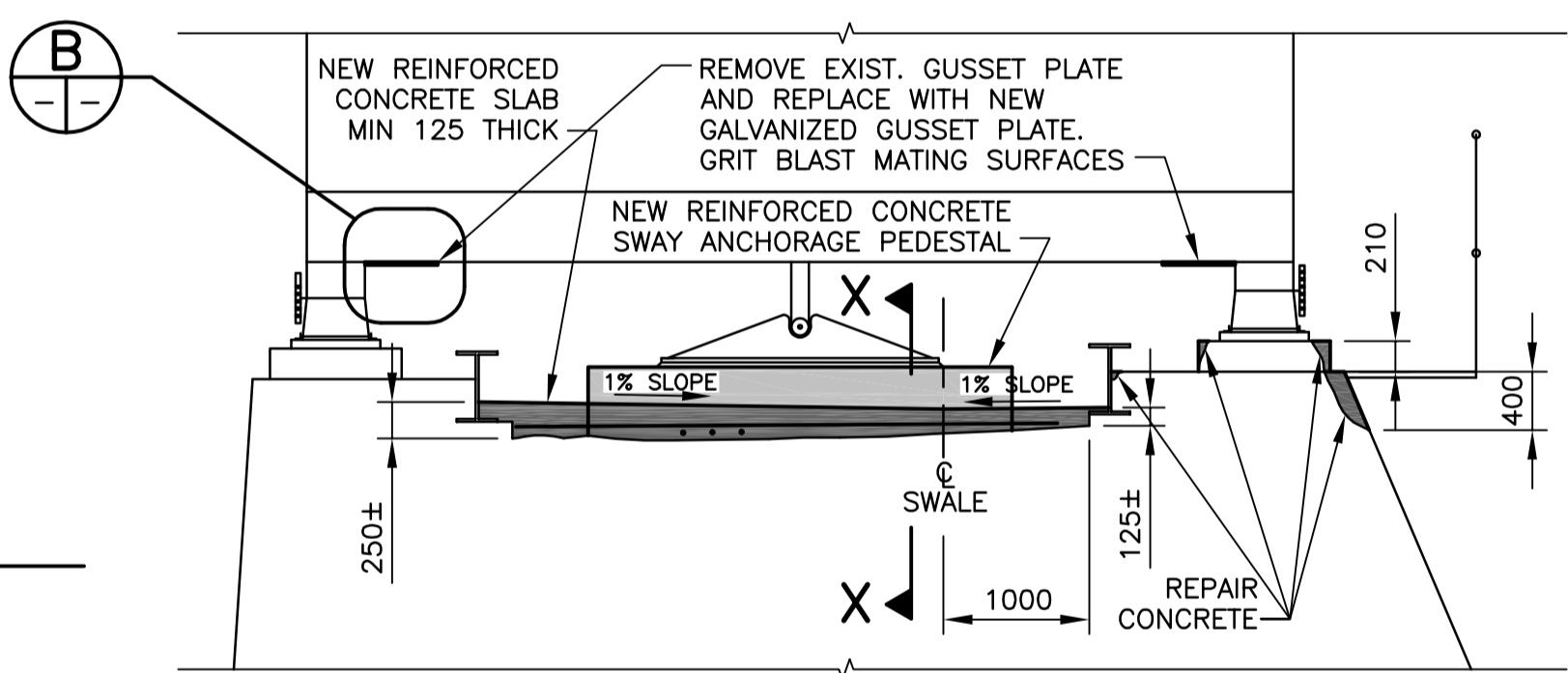
SECTION 1
1 : 100



EXISTING CONDITION

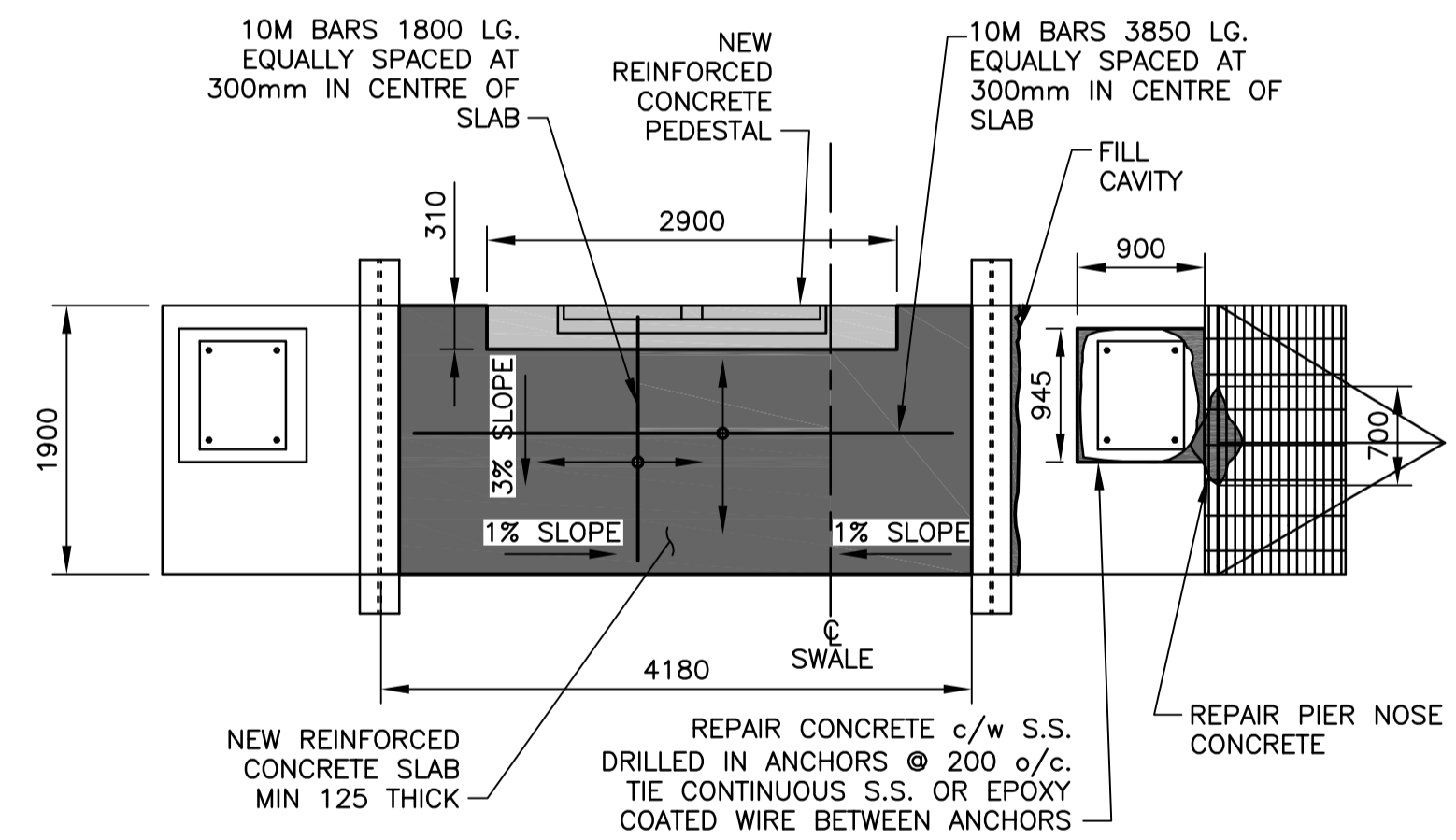


EXISTING CONDITION



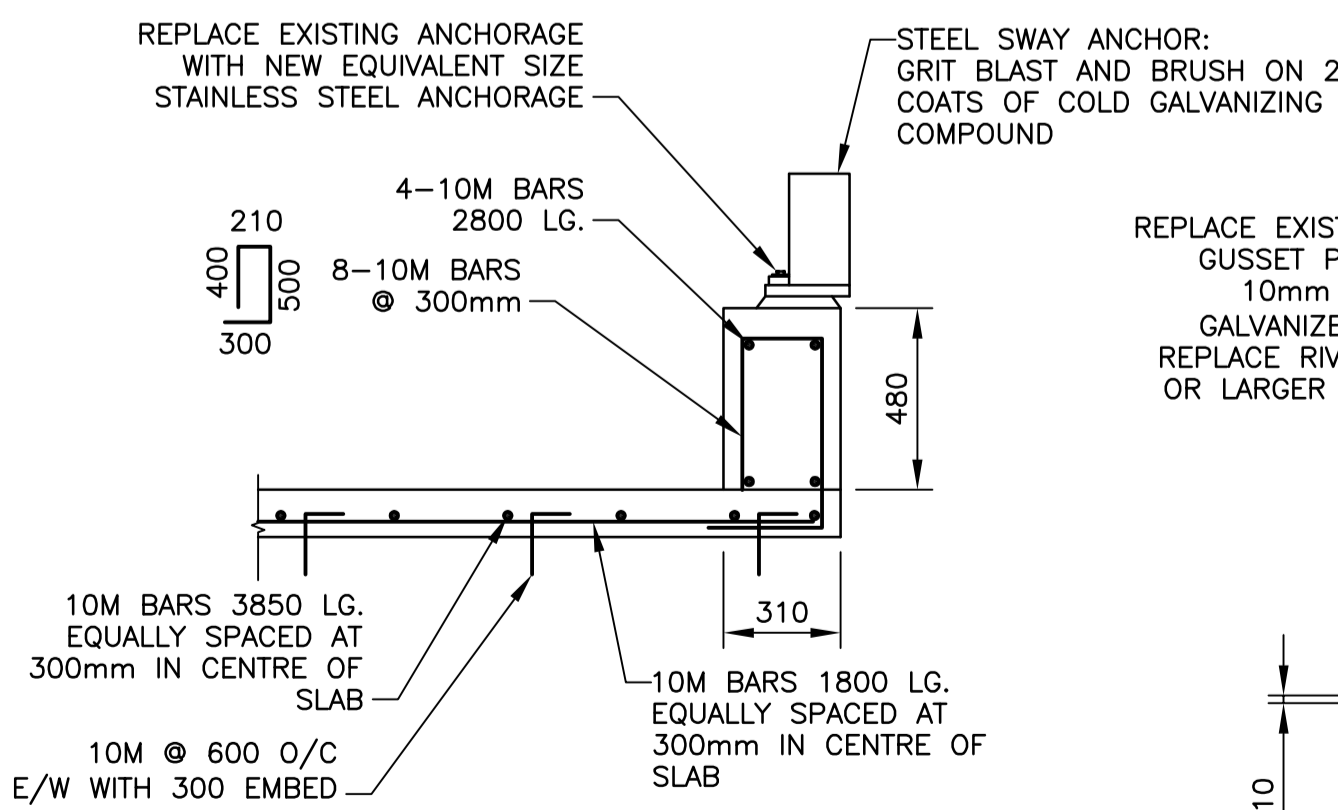
PROPOSED

DETAIL A
1 : 50

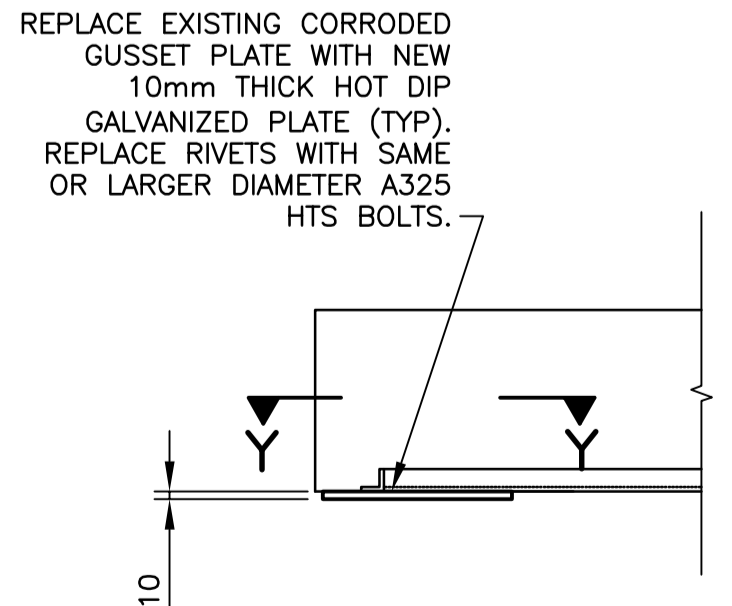


PROPOSED

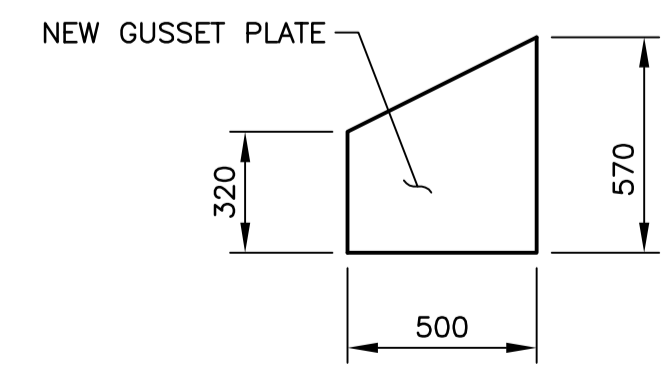
SECTION 2
1 : 50



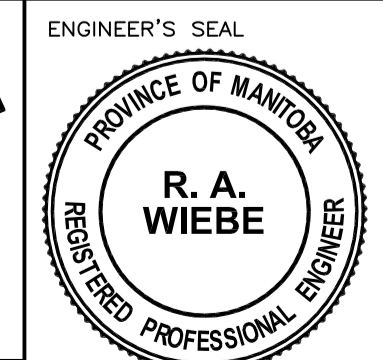
SECTION 'X'-'X'
1 : 20



DETAIL B
1 : 20



SECTION 'Y'-'Y'
1 : 20



B.M. ELEV.		DESIGNED BY: M.R.D. DRAWN BY: M.R.D. CHECKED BY: R.A.W. REVIEWED BY: S.S.R. SCALE: HORZ. AS SHOWN VERT. DATE: JULY 2005 AUTHORIZED BY:		ENGINEER'S SEAL PROVINCE OF MANITOBA REGISTERED PROFESSIONAL ENGINEER R. A. WIEBE CONSULTANT PROJECT NO. 05-4421-1000	BID OPPORTUNITY NO. 449-2005 THE CITY OF WINNIPEG PUBLIC WORKS DEPARTMENT Winnipeg 2005 BRIDGE MAINTENANCE LOUISE BRIDGE SOUTH PIER STEEL AND CONCRETE REPAIRS PLAN AND ELEVATION DETAILS	CITY DRAWING NUMBER B107-05-01 SHEET 1 OF 1
NO.	REVISIONS	DATE	BY	CITY BRIDGE ENGINEER		