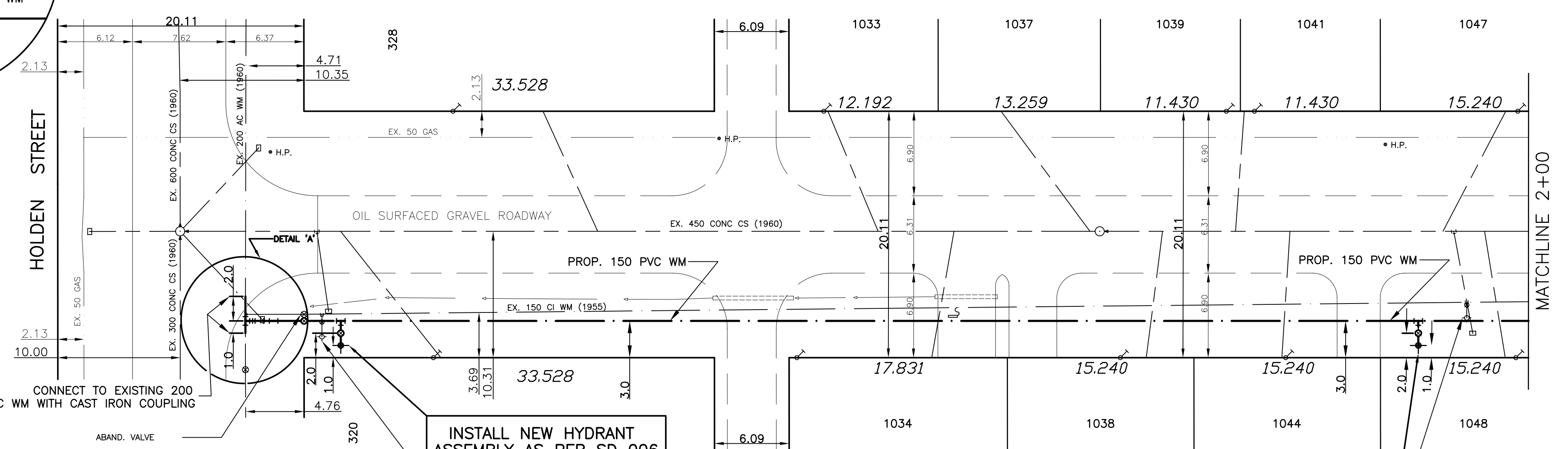


CHAINAGE ALONG THE SOUTH PROPERTY LINE OF BLAIR STREET

BLAIR STREET



WATER SERVICE INFORMATION		ABAND. VALVE		SHORT & LONG MEASUREMENT		CORP LOCATION		REMARKS	
ADDRESS	SIZE(mm) & TYPE	SIZE(mm) & TYPE							
320 HOLDEN ST. RESIDENTIAL	19 COPPER	19 COPPER	6.3 RLHL	9.5 FROM HYD.					
328 HOLDEN ST RESIDENTIAL	19 COPPER	19 COPPER	3.4 RRHL	17.1 FROM HYD.					
1033 BLAIR ST RESIDENTIAL	19 COPPER	19 COPPER	2.1 L/L	6.7 FROM CURB				SEE PERMIT-0583	
1034 BLAIR ST RESIDENTIAL	19 COPPER	19 COPPER	1.5 RRHL	39.7 FROM HYD.					
1037 BLAIR ST RESIDENTIAL	25 COPPER	25 COPPER	1.7 RLHL	58.3 FROM HYD.					
1038 BLAIR ST RESIDENTIAL	19 COPPER	19 COPPER	1.8 RL CR OF HSE	29.0 FROM HYD.					
1039 BLAIR ST RESIDENTIAL	19 COPPER	19 COPPER	4.8 RLHL	25.9 FROM HYD.					
1041 BLAIR ST RESIDENTIAL	19 COPPER	19 COPPER	3.2 RLHL	17.1 FROM HYD.					

WATER SERVICE INFORMATION		SIZE(mm) & TYPE		SHORT & LONG MEASUREMENT		CORP LOCATION		REMARKS	
ADDRESS	SIZE(mm) & TYPE	SIZE(mm) & TYPE							
1044 BLAIR ST RESIDENTIAL	19 COPPER	19 COPPER	6.7 RL CR OF HSE	15.3 FROM HYD.					
1047 BLAIR ST RESIDENTIAL	19 COPPER	19 COPPER	3.1 RL CR OF HSE	0.0 FROM HYD.					
1048 BLAIR ST RESIDENTIAL	19 COPPER	19 COPPER	2.9 RLHL	5.0 FROM HYD.					

EXISTING	LEGEND - PLAN	PROPOSED	EXISTING	LEGEND - PLAN	PROPOSED	EXISTING	LEGEND - PROFILE	PROPOSED
—	WATERMAIN	—	—	HYDRO	—	—	CENTER LINE	—
—	HYDRANT VALVE	—	—	M.T.S.	—	—	NORTH GUTTER LINE	—
—	LAND DRAINAGE SEWER	—	—	CONCRETE ASPHALT	—	—	SOUTH GUTTER LINE	—
—	WASTE WATER SEWER	—	—	PROPERTY LINE	—	—	WATERMAIN	—
—	MANHOLE	—	—	SURVEY BAR	—	—	VALVE	—
—	CATCH BASIN	—	—	CURB STOP	—	—	LAND DRAINAGE SEWER	—
—	CURB INLET	—	—	C.B. LEAD	—	—	WASTE WATER SEWER	—
—	TRAFFIC SIGNAL	—	—	SIDEWALK	—	—	JUNCTIONS	—
—	STEAM HT.	—	—	SIDEWALK RAMP	—	—	CULVERT	—
—	GAS	—	—	ELEVATIONS	—	—	ANODE	—
—		32.55	—		32.55	—	PLUG	—

LOCATION APPROVED		DATE	
SUPV. U/G COMMITTEE	DATE	SUPV. U/G COMMITTEE	DATE

B.M. ELEV.		CWM: 32-004 232.073m	
NO.	REVISIONS	DATE	BY

SEG ENGINEERING INC.
 200 TACHE AVENUE
 WINNIPEG, MANITOBA
 (204) 233-2113

DESIGNED BY: DJ
 CHECKED BY: SM
 DRAWN BY: RH
 APPROVED BY: IMck
 HOR. SCALE: 1:250
 VERT. SCALE: 1:50
 RELEASED FOR CONSTRUCTION: K. ZUREK P. ENG
 ORIGINALLY SIGNED BY: K. ZUREK P. ENG
 DATE: MAY 2005
 DATE: JUNE 28, 2004

APEGM
 Certificate of Authorization
 SEG Engineering Inc.
 No. 1432 Expiry: April 30, 2006

THE CITY OF WINNIPEG
 WATER AND WASTE DEPARTMENT

2005 CAPITAL WORKS
 WATERMAIN RENEWALS
 BLAIR STREET

HOLDEN STREET
 TO 100m EAST OF HOLDEN STREET

CITY DRAWING NO. D-8806
 SHEET 1 OF 2

- NOTES:**
- ALL GATE VALVES ARE TO BE COUNTER-CLOCKWISE TO OPEN WITH A BLACK OPERATING NUT.
 - WATERMAIN TO BE INSTALLED BY TRENCHLESS METHODS.
 - BACKFILL IS CLASS 5 WITHIN BOULEVARD AND CLASS 3 WHEN WITHIN PAVEMENT/SIDEWALK OR WHEN WITHIN 1.0m OF PAVEMENT OR SIDEWALK.
 - WATER SERVICES ARE 19mm UNLESS OTHERWISE NOTED.
 - MINIMUM COVER TO TOP OF WATERMAIN SHALL BE 2.4m.
 - LOCATION OF ALL SERVICES TO BE CONFIRMED IN FIELD.
 - EXPOSE EXISTING WATERMAIN TO CONFIRM DEPTH PRIOR TO CONSTRUCTION.
 - ALL LEAD SERVICES TO BE RENEWED.
 - SERVICES TO BE RENEWED SHALL BE REPLACED FROM WATERMAIN TO PROPERTY LINE. ALL OTHERS TO BE RECONNECTED.