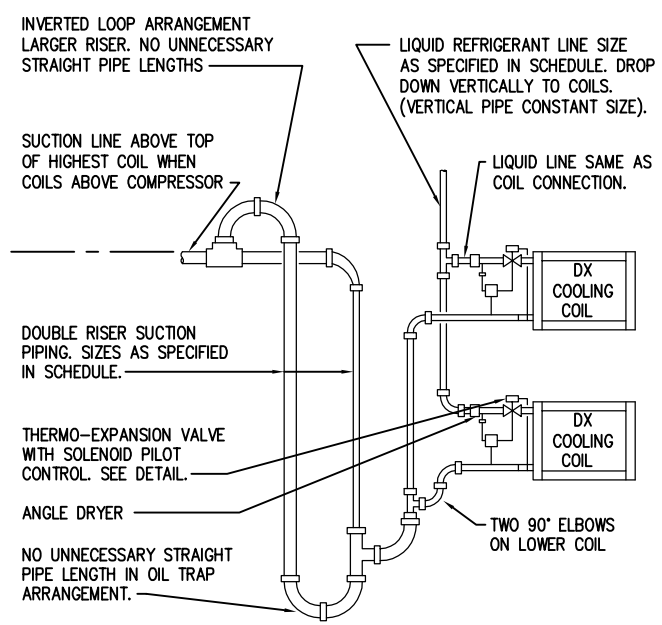
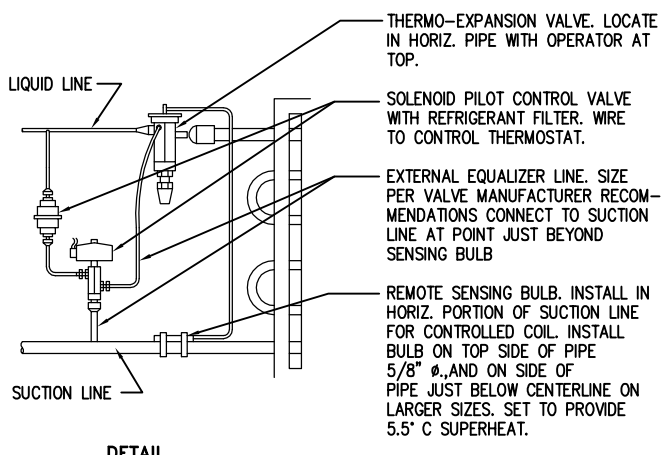
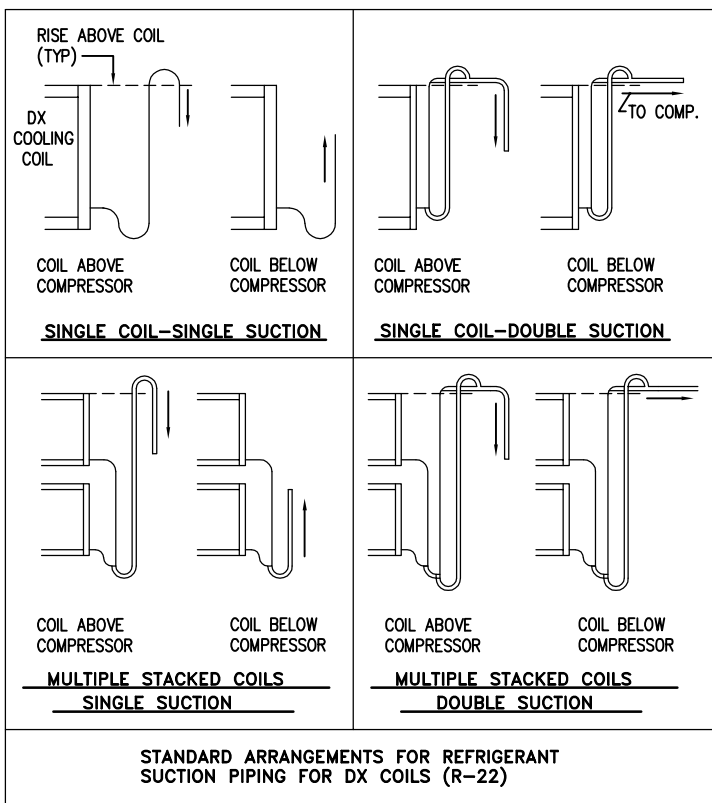


REFRIGERANT PIPING ARRANGEMENT
(R-22) DX COILS, AIR COOLED COND.

- GENERAL:**
1. USE TYPE 'L' COPPER PIPING WITH LONG RADIUS ELBOWS.
 2. ALL JOINTS SOLDERED WITH SILFOS SOLDER.
 3. RUN ALL PIPING TO MINIMIZE FITTINGS.



DX COIL R-22 PIPING



DX COOLING COIL (R-22) LIQUID AND SUCTION PIPING CONNECTIONS

SMS ENGINEERING

SMS Engineering Ltd. Consulting Engineers
770 Bradford Street Winnipeg MB Canada R3H 0N3
Telephone 204.775.0291 Fax 204.772.2153
sms@smseng.com

SPECIFICATION DETAIL

REFRIGERANT PIPING R-22 DX COILS

Drawn By SMS	Approved By SMS	Reference 7000
File No. 04-169-01	Date 06/22/05	Detail Sheet MD-2