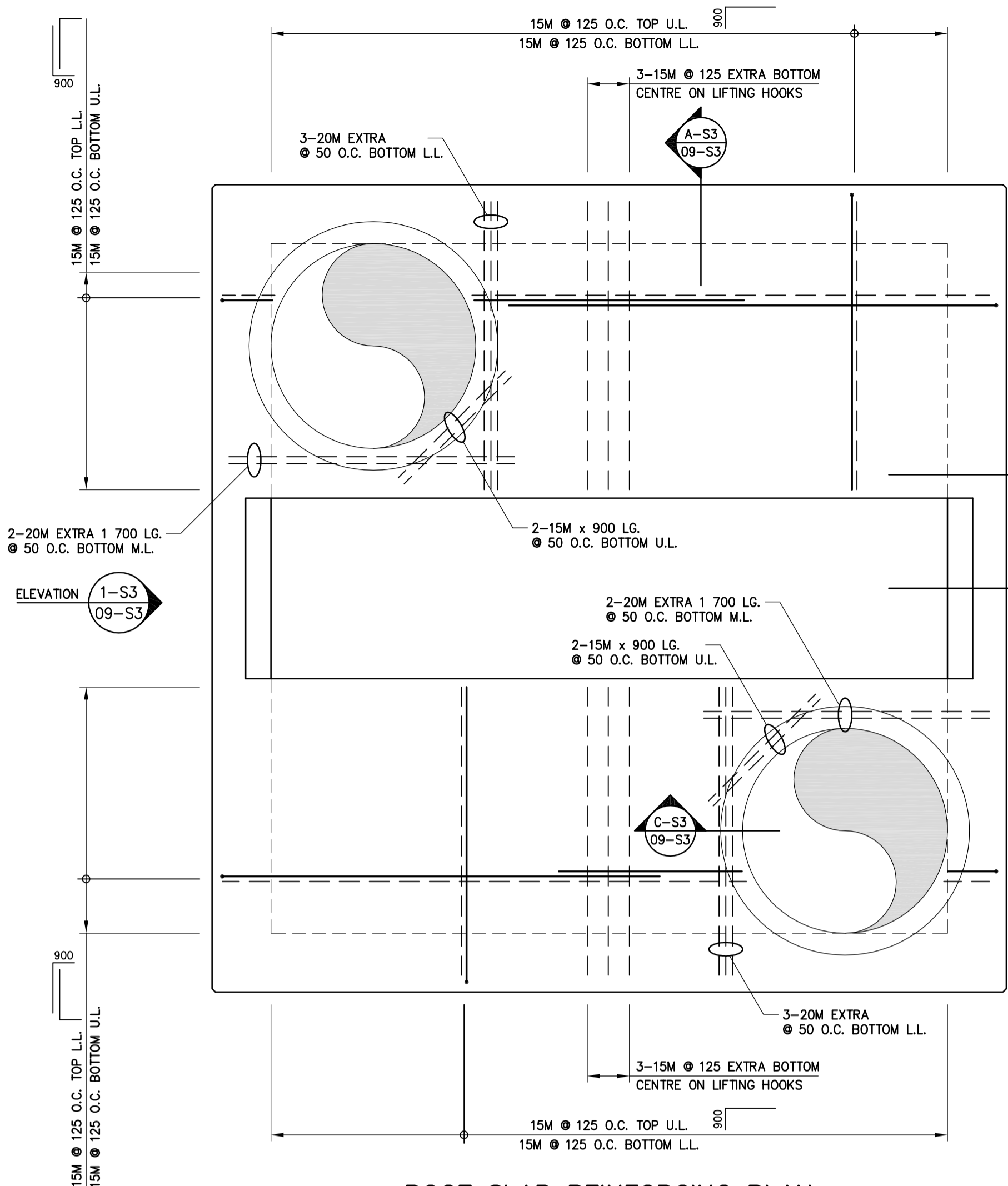
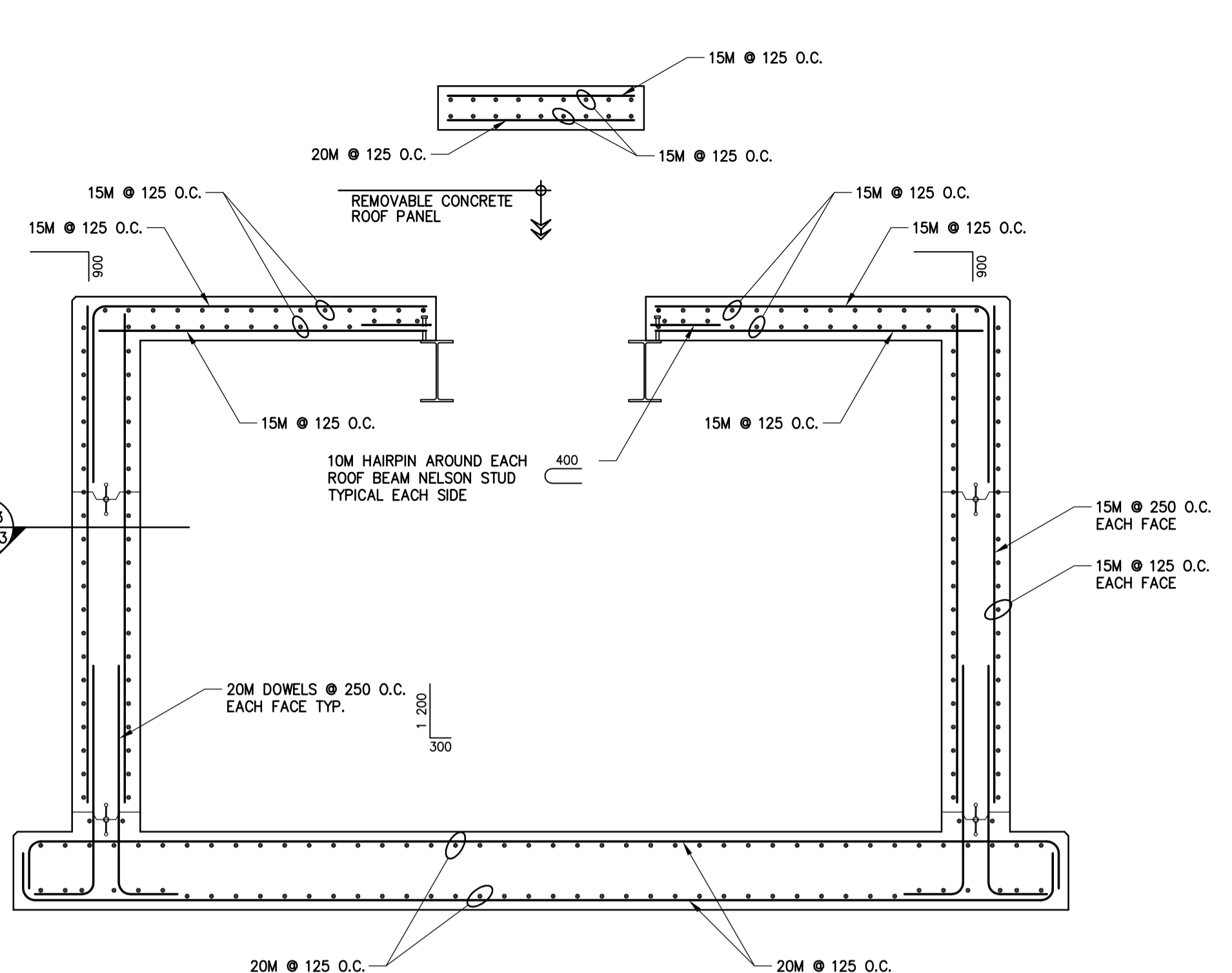


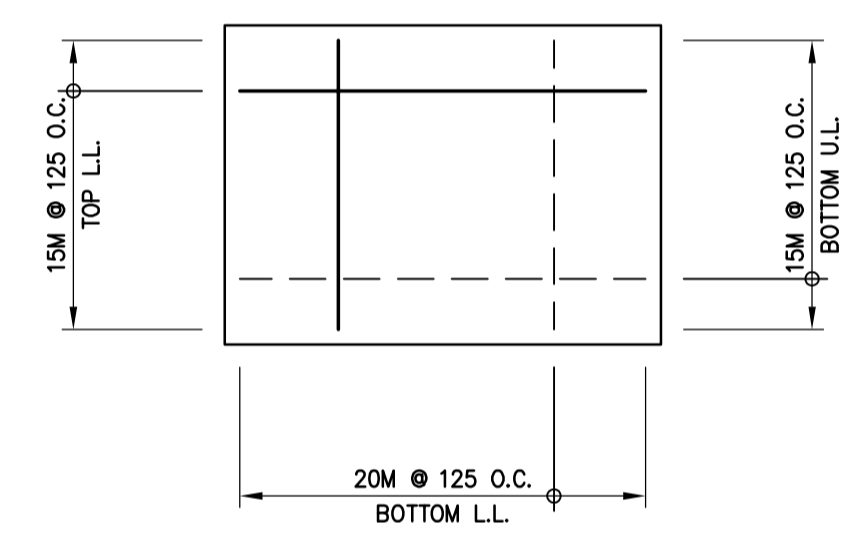
Aug 12, 2005 - 11:21am
 P: 41400 - 41498 \1479 2005 Outfall Gate Chamber (Lagmodiere)\Drawings\Reinforcing - S3 - SZ Rein.dwg - Ibs:Logmodiere - Reinforcing (S3)



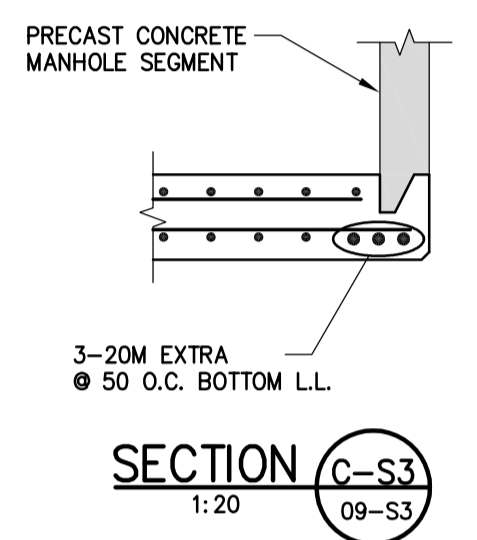
ROOF SLAB REINFORCING PLAN
1:25



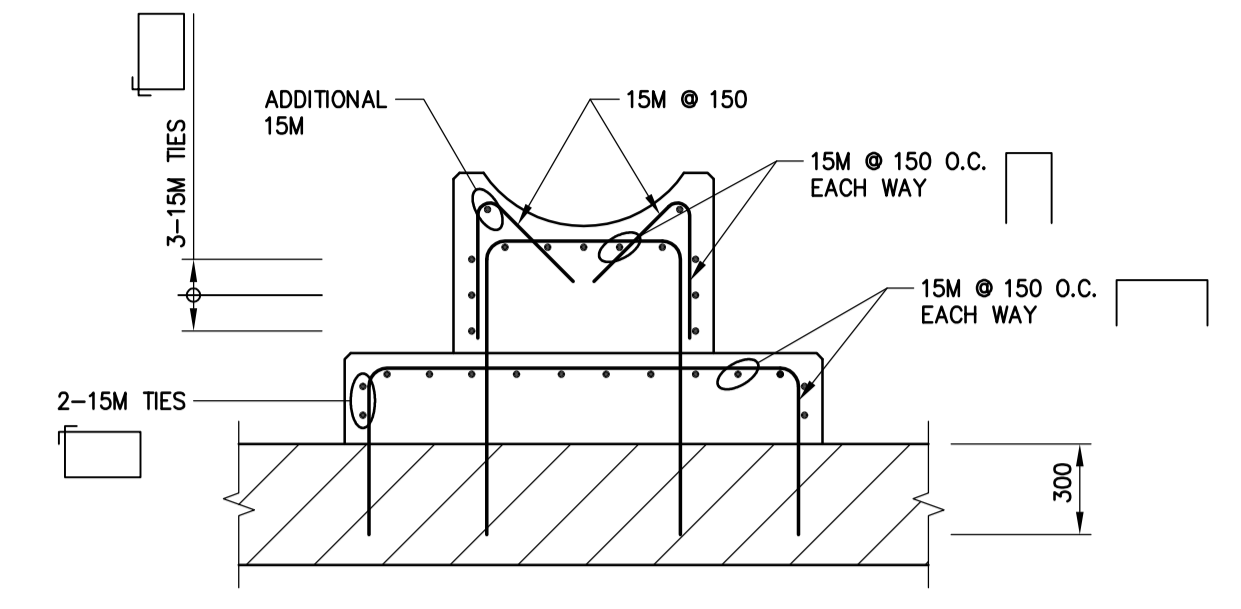
SECTION A-S3
1:25



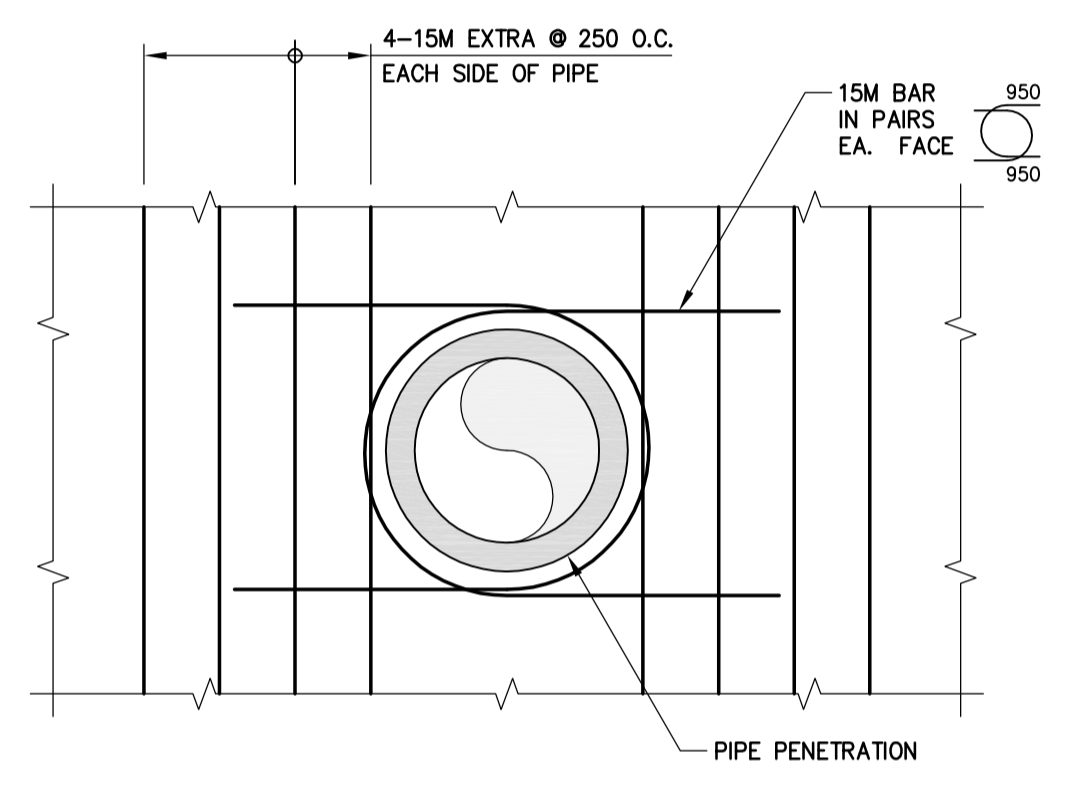
REMOVABLE ROOF SLAB REINFORCING PLAN
1:25



SECTION C-S3
1:20

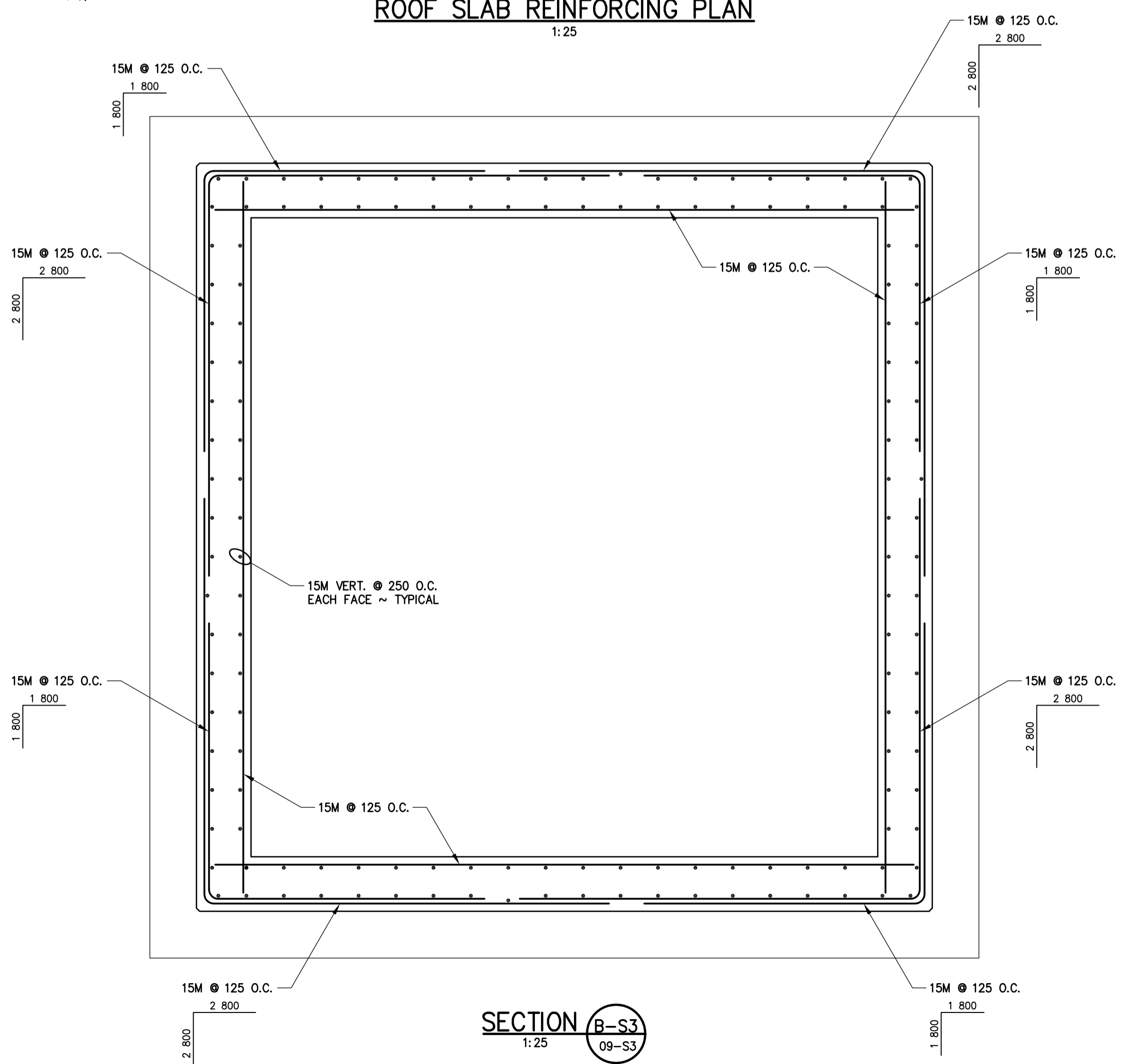


PIPE CROSS BENCHING ELEVATION
1:25

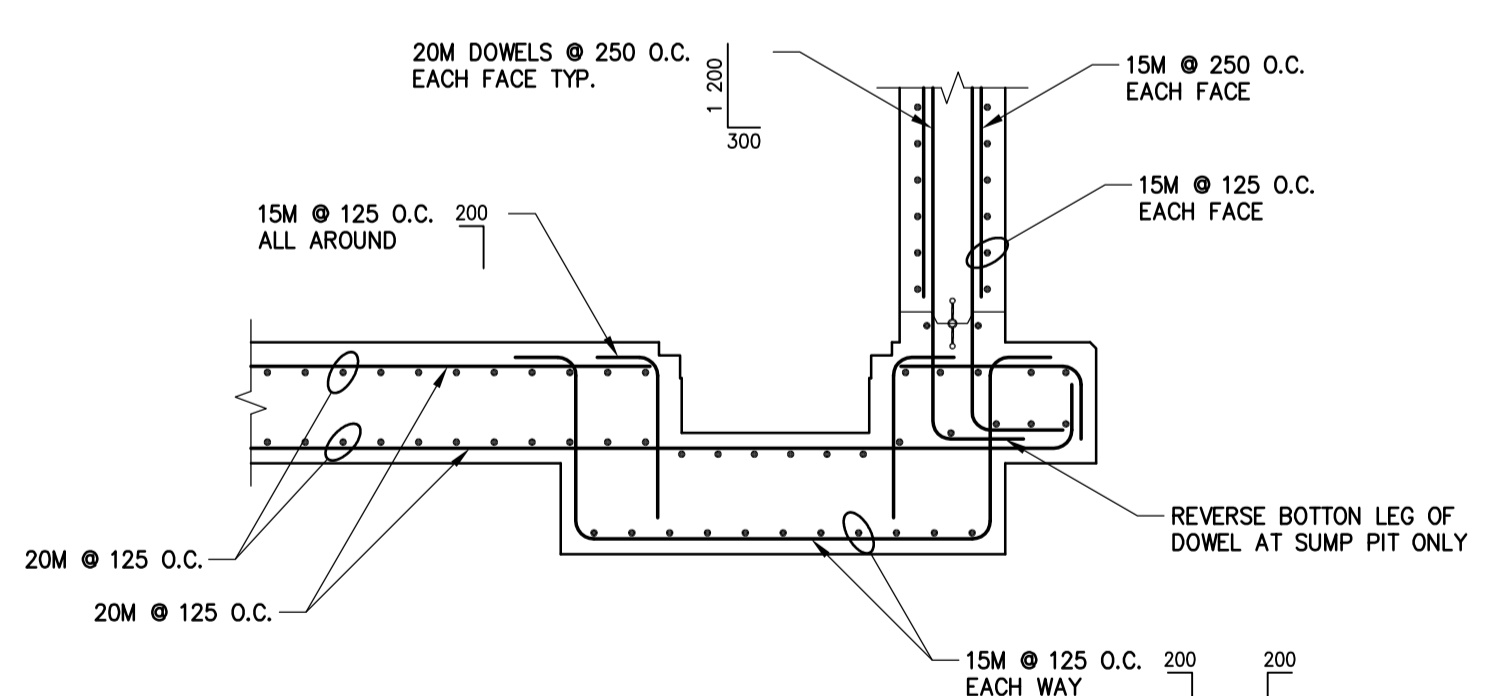


ELEVATION 1-S3
1:25

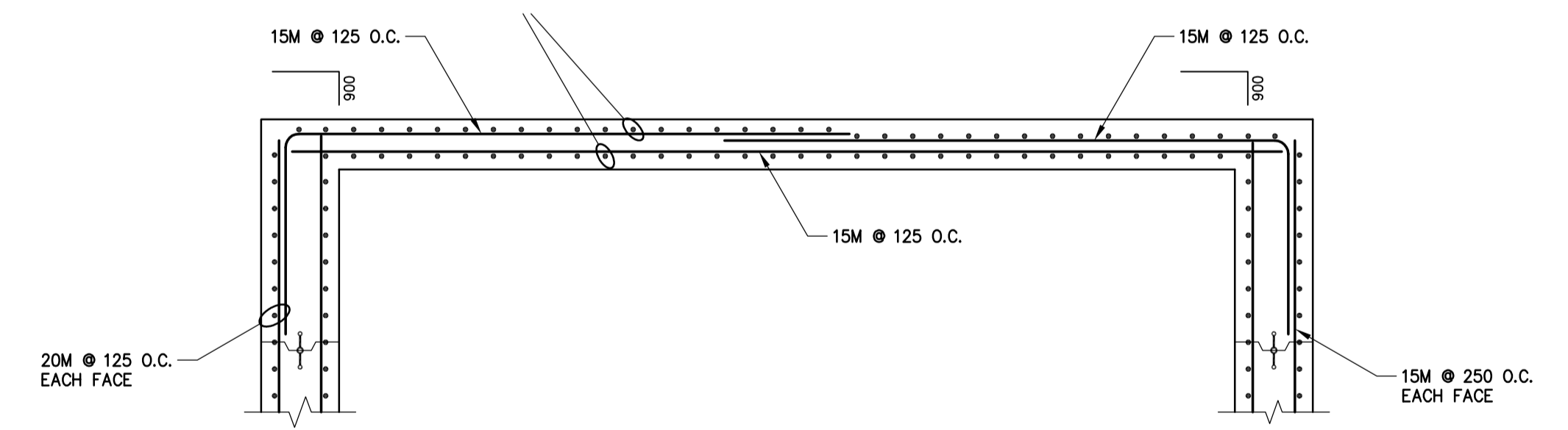
NOTE:
STANDARD WALL REINFORCING NOT SHOWN FOR CLARITY.



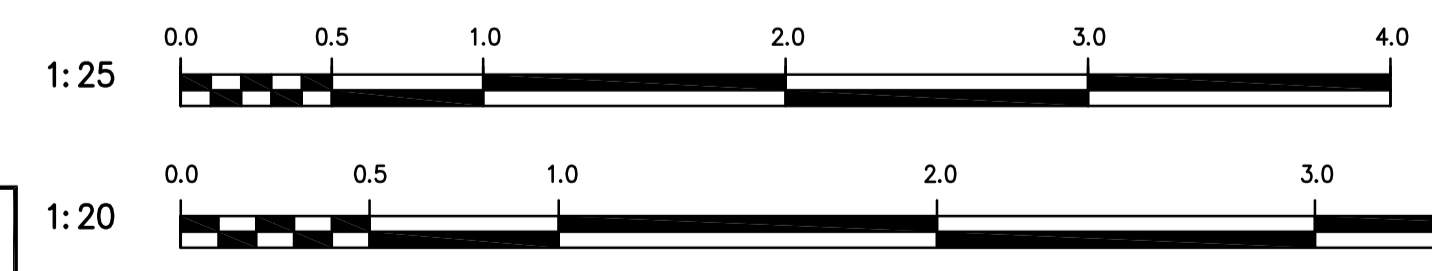
SECTION B-S3
1:25



SECTION THROUGH SUMP PIT
1:25



SECTION E-S3
1:25



PRELIMINARY

METRIC
WHOLE NUMBERS INDICATE MILLIMETRES
DECIMALIZED NUMBERS INDICATE METRES

APEGN
Certificate of Authorization
ND LEA Engineers & Planners Inc.
No. 2728 Expiry: April 30, 2006

NOTE:
These design documents are prepared solely for the use by the party with whom the design professional has entered into a contract and there are no representations of any kind made by the design professional to any party with whom the design professional has not entered into a contract.

ND LEA Engineers & Planners Inc. Suite 111-93 Lombard Avenue Winnipeg, Manitoba R3B 3B1 Phone (204) 943-3178 Facsimile (204) 943-4948		ENGINEER'S SEAL
DESIGNED BY: MH	CHECKED BY: JPL	BID OPPORTUNITY 354-2005 PLOT DATE: 05 08 12
DRAWN BY: CDP	APPROVED BY: -	
HOR. SCALE: VERTICAL	AS SHOWN	RELEASED FOR CONSTRUCTION
NO. REVISIONS	DATE	BY
1	05 06 02	

THE CITY OF WINNIPEG
WATER AND WASTE DEPARTMENT

Winnipeg

LAGIMODIERE BOULEVARD FEEDERMAIN EXTENSION
OFFTAKE VALVE CHAMBER REINFORCING DETAILS

CONSULTANT DRAWING NUMBER: 41479-09-S3
 SHEET 11 OF 11
 CITY DRAWING NUMBER: D-8837