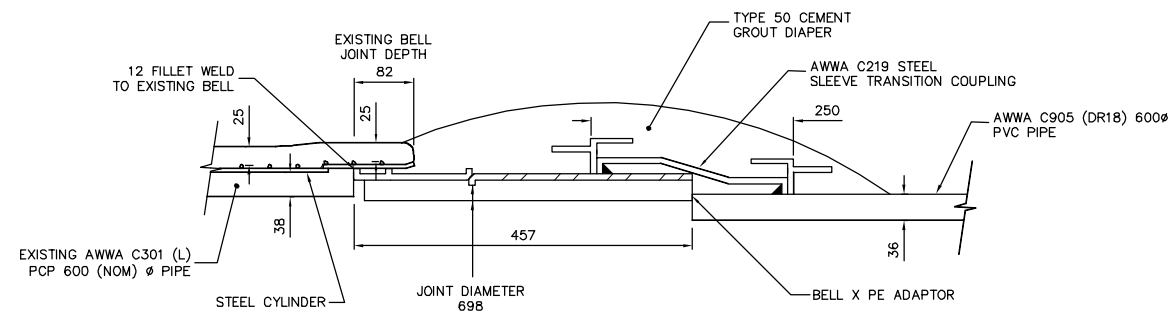


LONGITUDINAL SECTION

TRANSVERSE SECTION

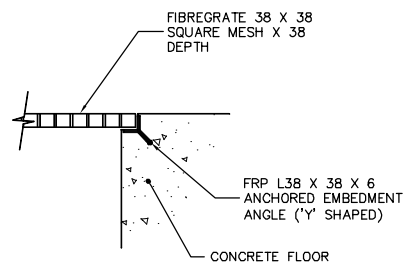
LIFTING LUG DETAILS FOR REMOVABLE ROOF SLABS

SCALE 1:10



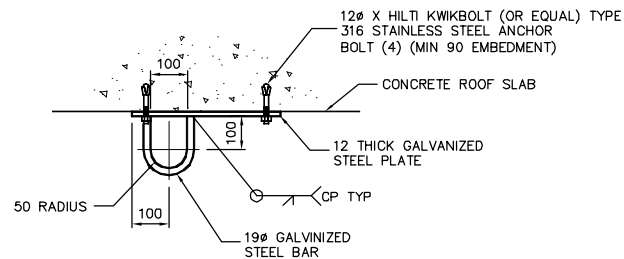
600Ø AWWA C301 PCP BELL TO 600Ø AWWA C905 (OR 18) PVC CONNECTION

SCALE 1:5



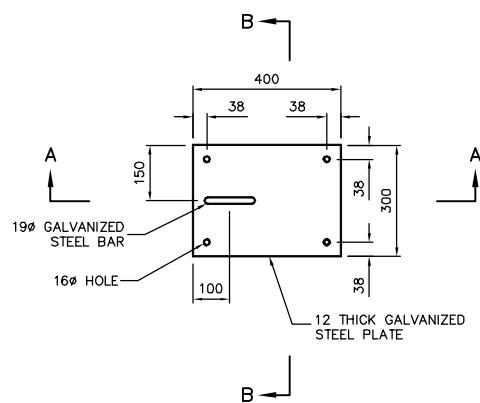
SUMP PIT GRATING DETAIL

SCALE 1:10



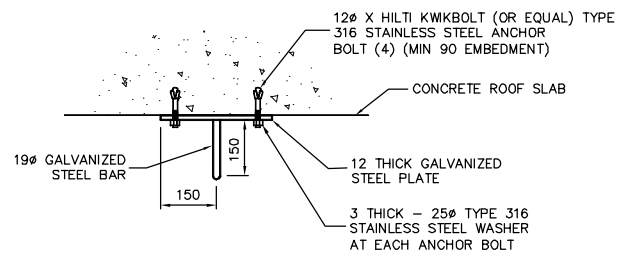
SECTION A-A

SCALE 1:10



LIFTING HOOK DETAIL

SCALE 1:10



SECTION B-B

SCALE 1:10

METRIC
WHOLE NUMBERS INDICATE MILLIMETRES
DECIMALIZED NUMBERS INDICATE METRES

B.M. ELEV.	FIELD BOOK #:	CITY OF WINNIPEG WATER AND WASTE ENGINEERING DIVISION		ENGINEER'S SEAL
POSTED TO LBS		DESIGNED BY TW/SC	CHECKED BY TW	ORIGINAL SIGNED BY K.R. ZUREK 05/08/12
		DRAWN BY CJH	APPROVED BY KZ	
		HOR. SCALE AS	RELEASED FOR CONSTRUCTION	BID OPPORTUNITY: 354-2005 FILENAME: lagimodiere.dwg PLOT DATE: 2005 08 12
		VERTICAL SHOWN		
NO. REVISIONS	DATE BY	DATE	2005.08.08	DATE

THE CITY OF WINNIPEG
WATER AND WASTE DEPARTMENT

LAGIMODIERE BOULEVARD
FEEDERMAIN EXTENSION
OFFTAKE VALVE CHAMBER
MISCELLANEOUS DETAILS

SHEET 8 OF 11
CITY DRAWING NUMBER
D-8828