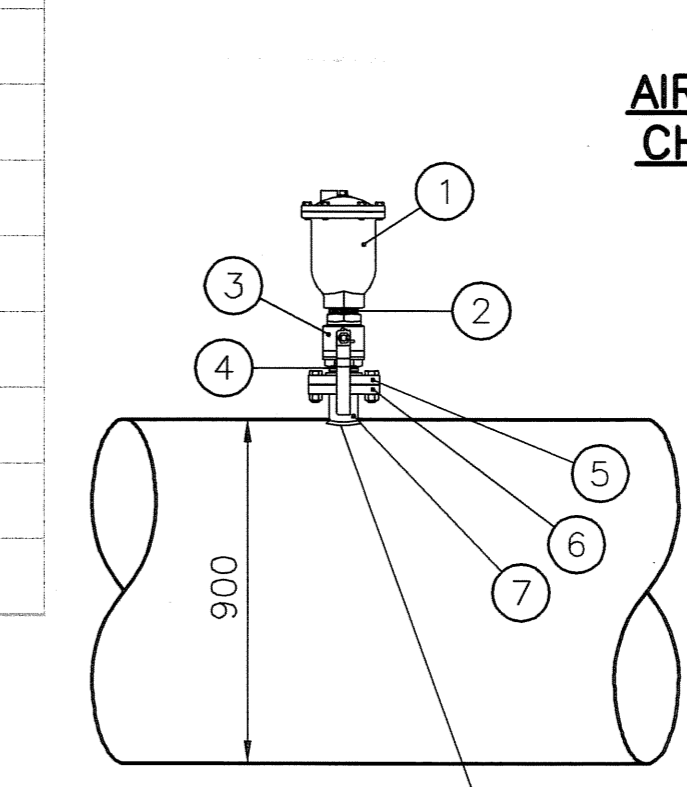
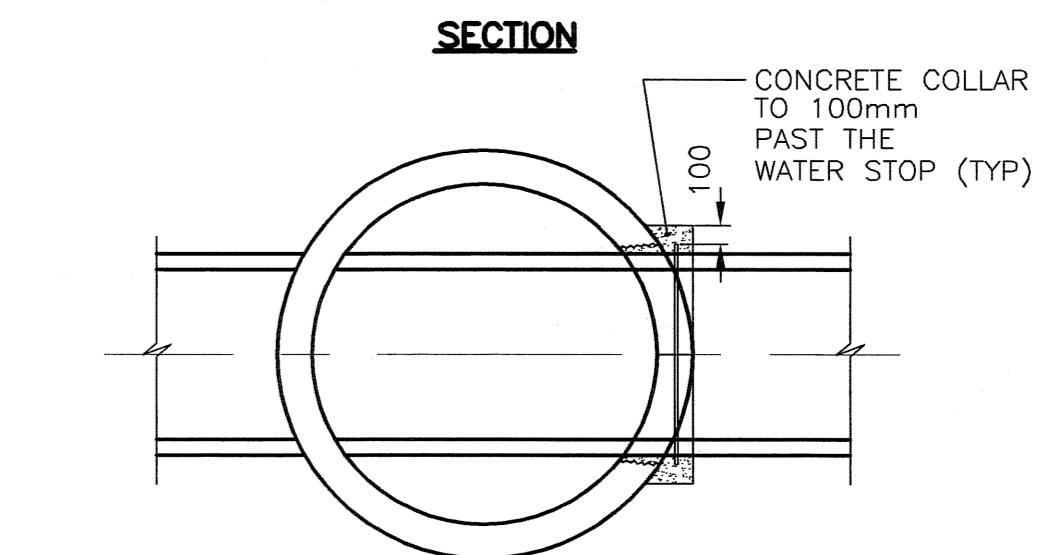
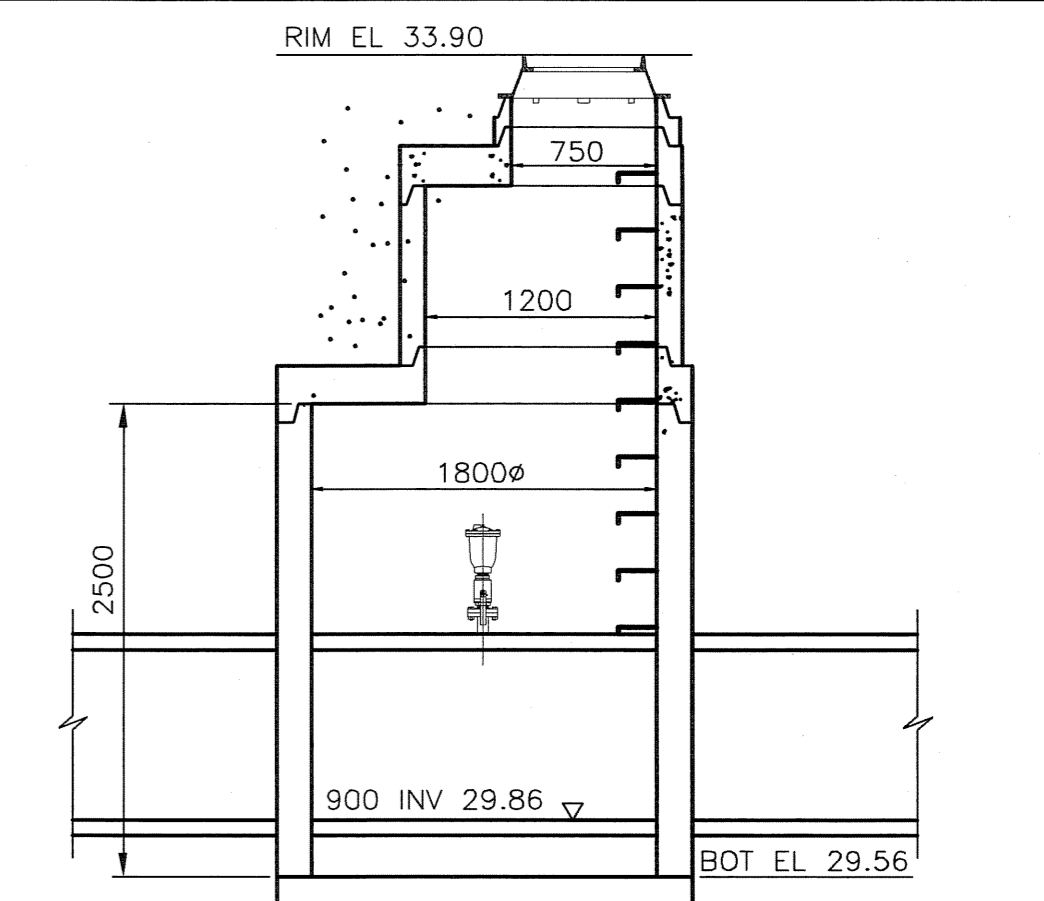
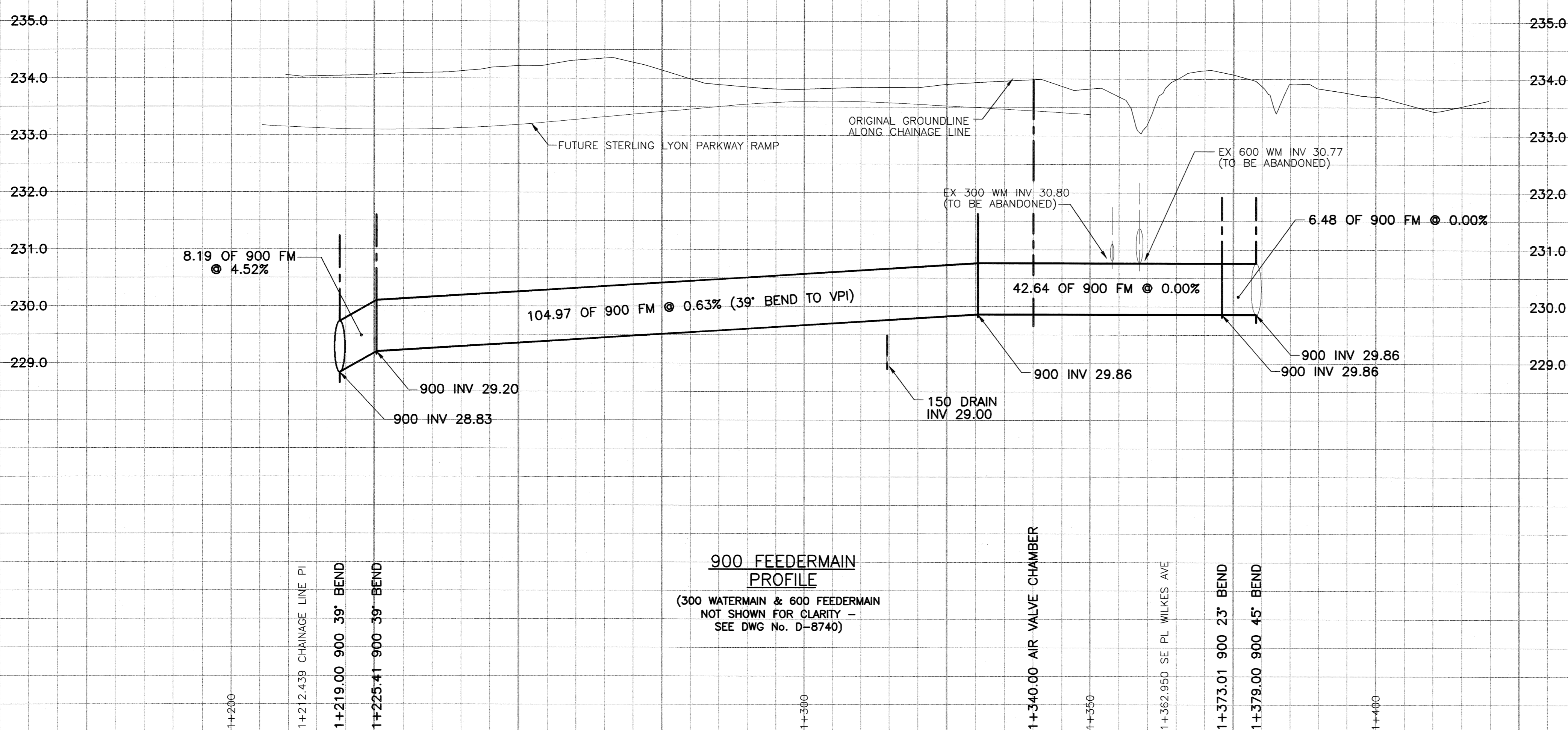


A1 SIZE 23.4" x 33.1" (594mm x 841mm)

PLOT: 05/06/22 3:19:11 PM

UMA FILE NAME: 4231-040-02\_01-C-0007\_RX.dwg Saved By: wdmoude



ITEM	DESCRIPTION	QUANTITY	LENGTH
1	AIR RELEASE VALVE C/W 50 THREADED INLET PORT	1	125
2	50 CAST BRONZE OR BRASS NIPPLE (THREADED)	1	125
3	50 BRONZE GATE VALVE (THREADED)	1	125
4	50 CAST BRONZE OR BRASS NIPPLE (THREADED)	1	125
5	50 CAST BRONZE OR BRASS FLANGE (THREADED)	1	125
6	50 STEEL FLANGE CL 125 (THREADED) C/W ISOLATION KIT	1	125
7	50 SCH 80 STEEL NIPPLE (THREADED)	1	125

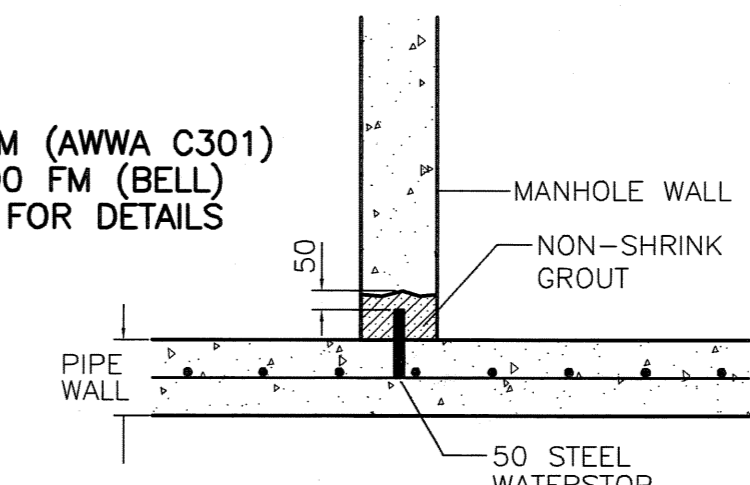
NOTE: FOR PVC MAN ITEM 6 AND 7 TO BE BRONZE OR BRASS  
 FOR PCCP:  
 - 50 NPT THREADED OUTLET  
 FOR PVC C905:  
 - INSTALL FABRICATED TAPPED COUPLING c/w 50 NPT THREADED OUTLET

**AIR RELEASE VALVE INSTALLATION**  
N.T.S.

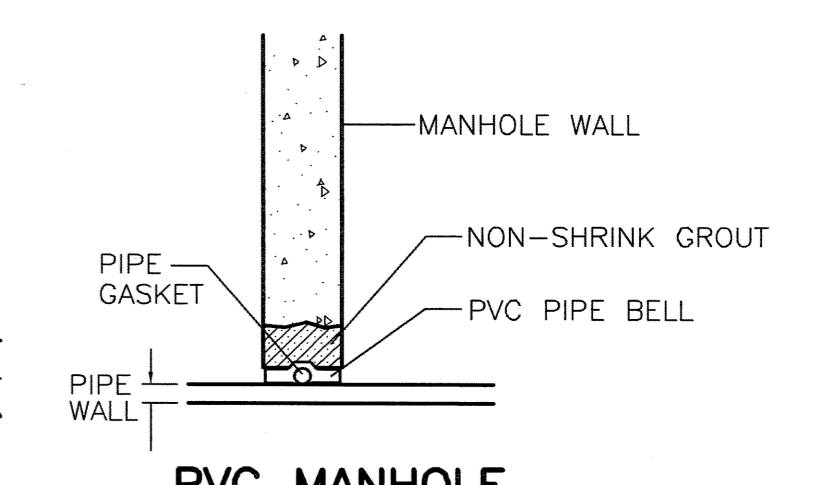
REMOVE & DISPOSE OF 29.3m OF 900mm AWWA C301 PCCP PLUG EXPOSED END WITH CONCRETE PLUG

BACKFILL EX TRENCH WITH CRUSHED GRANULAR MATERIAL COMPACTED TO CLASS 2 STANDARDS TO EL 32.00

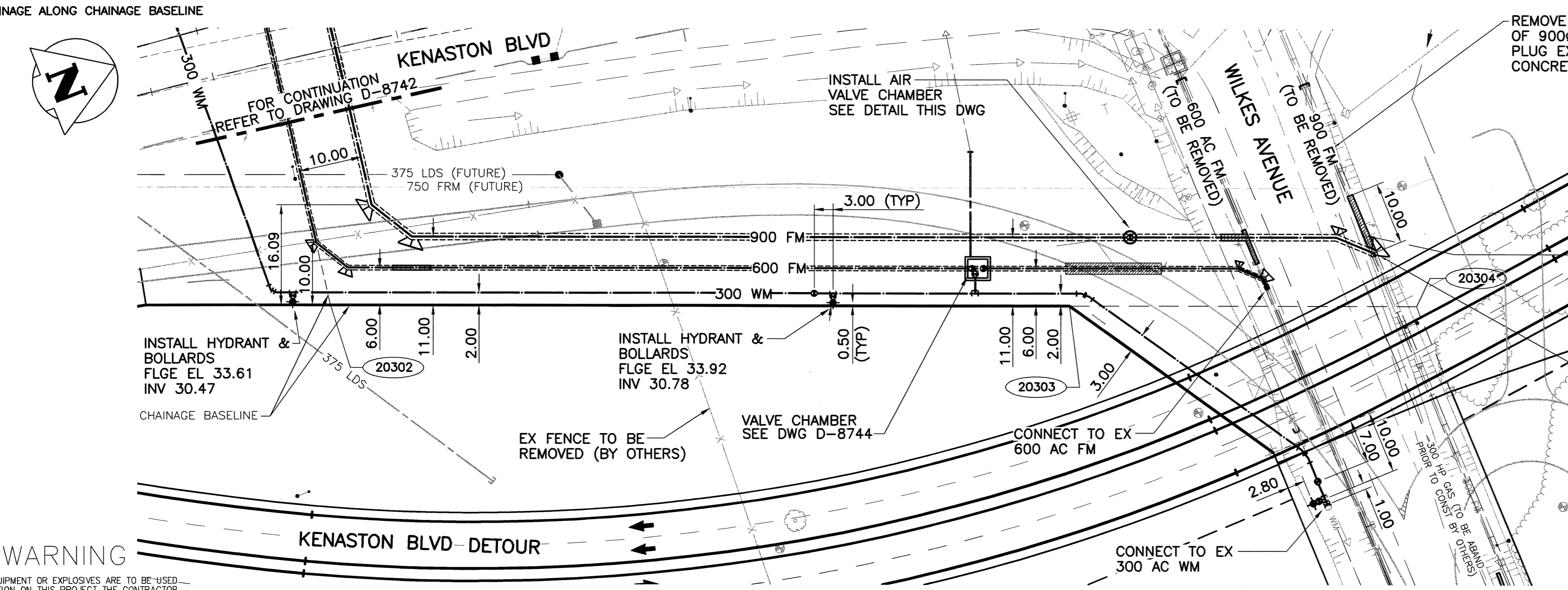
REMOVE EX 900 FM (AWWA C301) & CONNECT TO 900 FM (BELL) SEE DWG D-8745 FOR DETAILS



**PCCP MANHOLE CONNECTION**  
N.T.S.

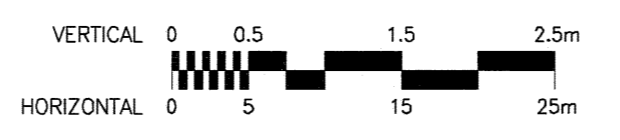


**PVC MANHOLE CONNECTION**  
N.T.S.



**WARNING**

IF POWER EQUIPMENT OR EXPLOSIVES ARE TO BE USED FOR EXCAVATION ON THIS PROJECT THE CONTRACTOR MUST:  
 1) NOTIFY THE GAS COMPANY OF THE PROPOSED LOCATION OF EXCAVATION.  
 2) TAKE PRECAUTION TO AVOID DAMAGE TO GAS COMPANY INSTALLATIONS.  
 SEE PROVINCIAL REGULATION 140/92 FOR DETAILS



METRIC  
 WHOLE NUMBERS INDICATE MILLIMETRES  
 DECIMAL NUMBERS INDICATE METRES

BID OPPORTUNITY  
 No. 340-2005

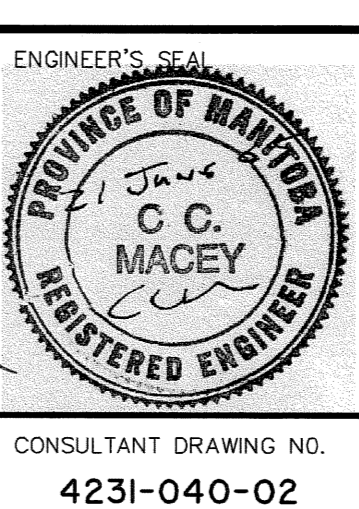
**APCM**  
 Certificate of Authorization  
 UMA Engineering Ltd.  
 No. 256 Expiry: April 30, 2006

EXISTING	LEGEND - PLAN	NEW	EXISTING	LEGEND - PLAN	NEW	EXISTING	LEGEND - PLAN	NEW
○	MANHOLE	●	○	MANHOLE	●	○	MANHOLE	●
□	CATCH BASIN/CATCH PIT	■	□	CATCH BASIN/CATCH PIT	■	□	CATCH BASIN/CATCH PIT	■
△	C & G INLET WITH BOX	▲	△	C & G INLET WITH BOX	▲	△	C & G INLET WITH BOX	▲
○	TREE	○	○	TREE	○	○	TREE	○
TH10	TEST HOLE	TH10	TH10	TEST HOLE	TH10	TH10	TEST HOLE	TH10
---	PROPERTY LINE	---	---	PROPERTY LINE	---	---	PROPERTY LINE	---
---	SURVEY BAR	---	---	SURVEY BAR	---	---	SURVEY BAR	---
○	GEODETIC MONUMENT	○	○	GEODETIC MONUMENT	○	○	GEODETIC MONUMENT	○
+	FENCE	+	+	FENCE	+	+	FENCE	+
+	B.O. CURB/E.O. PAVEMENT	+	+	B.O. CURB/E.O. PAVEMENT	+	+	B.O. CURB/E.O. PAVEMENT	+
33.000	ELEVATION	33.000	33.000	ELEVATION	33.000	33.000	ELEVATION	33.000
+	SIGN	+	+	SIGN	+	+	SIGN	+
+	RAIL SIGNALS/SIGNS	+	+	RAIL SIGNALS/SIGNS	+	+	RAIL SIGNALS/SIGNS	+

**LOCATION APPROVED UNDERGROUND STRUCTURES**  
 SUPV. U/G STRUCTURES COMMITTEE DATE  
 NOTE:  
 LOCATION OF UNDERGROUND STRUCTURES AS SHOWN ARE BASED ON THE BEST INFORMATION AVAILABLE BUT NO GUARANTEE IS GIVEN THAT ALL EXISTING UTILITIES ARE SHOWN OR THAT THE GIVEN LOCATIONS ARE EXACT. CONTRIBUTION OF EXISTENCE AND EXACT LOCATION OF ALL SERVICES MUST BE OBTAINED FROM THE INDIVIDUAL UTILITIES BEFORE PROCEEDING WITH CONSTRUCTION.

B	ISSUED FOR TENDER	05/06/21	WJD
A	ISSUED FOR CLIENT REVIEW	05/02/28	DML
NO.	REVISIONS	DATE	BY

**UMA AECOM**  
 © 2005 UMA ENGINEERING LTD. ALL RIGHTS RESERVED.  
 DESIGNED BY: MGM  
 CHECKED BY: [Signature]  
 DRAWN BY: DML  
 APPROVED BY: [Signature]  
 AUTHORIZED BY: [Signature]  
 DATE: 05/06/22  
 DESIGN & CONSTRUCTION ENGINEER



**THE CITY OF WINNIPEG**  
 WATER AND WASTE DEPARTMENT  
**Winnipeg** ENGINEERING DIVISION  
**KENASTON UNDERPASS PROJECT**  
 CHARLESWOOD AND WILKES FEEDERMAIN RELOCATION  
 900 FEEDERMAIN - EAST LEG OF RELOCATION SOUTH LIMIT TO WILKES AVE  
 SHEET 7 OF 9  
 CAD FILE DRAWING NUMBER: 01-C-0000\_RX  
 CITY DRAWING NUMBER: D-8743