

NOTE: CHAINAGES SHOWN ARE ALONG E.C. OF PINECREST BY.

**WATER SERVICE INFORMATION**

ADDRESS	SIZE (mm) & TYP. (SINET)	SIZE (mm) & TYP. (PROP)	SHORT & LONG MEASUREMENT	COOP. LOCATION	REMARKS
7 PINECREST BAY RESIDENTIAL	20 COPPER	20 COPPER	3.96 NSHL	NO INFO	--
11 PINECREST BAY RESIDENTIAL	20 COPPER	20 COPPER	3.35 NSHL	NO INFO	--
15 PINECREST BAY RESIDENTIAL	20 COPPER	20 COPPER	5.18 NSHL	NO INFO	--
18 PINECREST BAY RESIDENTIAL	20 COPPER	20 COPPER	5.18 NSHL	1.71 W MV	--
23 PINECREST BAY RESIDENTIAL	20 COPPER	20 COPPER	5.49 NSHL	1.31 W MV	--
27 PINECREST BAY RESIDENTIAL	20 COPPER	20 COPPER	6.10 EHWL	25.51 W HYD	--
28 PINECREST BAY RESIDENTIAL	20 COPPER	20 COPPER	4.88 EHWL	25.08 W HYD	--

\* SERVICES TO BE RENEVED TO R. ALL OTHERS TO BE RECONNECTED

**CONSTRUCTION NOTES**

1. EXPOSE EXISTING WATERMAIN & CONFIRM INVERTS PRIOR TO CONSTRUCTION.
2. LOCATE ALL SERVICES IN THE FIELD.
3. INSTALL WATERMAIN BY TRENCHLESS METHODS.
4. TRENCHES AND EXCAVATIONS WITHIN 1 METRE OF A PAVED AREA INCLUDING SIDEWALKS SHALL BE CLASS 3 BACKFILL.
5. ALL MATERIALS SHALL CONFORM TO THE CITY OF WINNIPEG STANDARD CONSTRUCTION SPECIFICATIONS.
6. MINIMUM COVER TO TOP OF WATERMAIN SHALL BE 2.4 m.
7. REPLACE ALL EXISTING LEAD SERVICES FROM PROPOSED WATERMAIN TO R.
8. NOTIFY ALL AFFECTED RESIDENTS AND BUSINESSES 24 HOURS IN ADVANCE OF ANY WATER SHUTDOWNS OR DISRUPTION OF SERVICE.

**METRIC**  
WHILE STREET MILE NUMBERS EQUALLED NUMBERS METRIC METERS

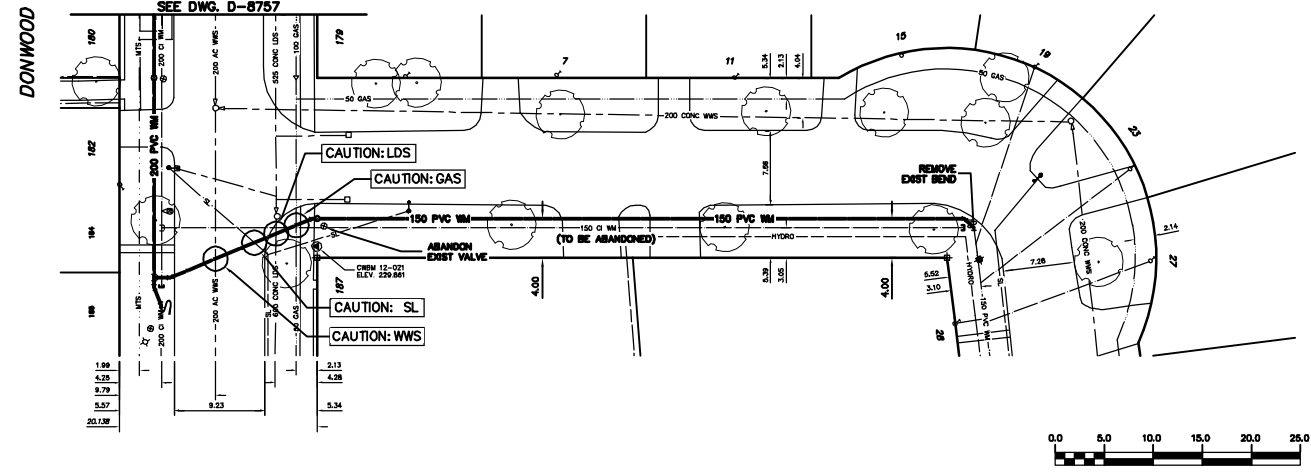
NOTE: ALL VALVES TO BE INSTALLED CLOSE TO THE CURB

**WARNING**

IF POWER EQUIPMENT OR UTILITIES ARE TO BE USED FOR EXCAVATION ON THIS PROJECT THE CONTRACTOR MUST:  
 1) NOTIFY THE GAS COMPANY OF THE PROPOSED LOCATION OF EXCAVATION.  
 2) TAKE PRECAUTION TO AVOID DAMAGE TO GAS COMPANY INSTALLATIONS.  
 SEE PROVINCIAL REGULATION 216/72 FOR DETAILS

FOR CONTINUATION SEE DWG. D-8757

**PINECREST BAY (W LEG)**



200 WM	WATERMAIN	200 WM	SL - HYDRO	150 WM	WATERMAIN	150 WM	LOCATION APPROVED UNDERGROUND STRUCTURES
+	HYDRANT	+	MTS	+	HYDRANT	+	
+	VALVE	+	TRAFFIC SIGNALS	+	VALVE	+	
+	LAND DRAINAGE SEWER	+	50 GAS	+	LAND DRAINAGE SEWER	+	
+	WASTEWATER SEWER	+	37.5 WWS	+	WASTEWATER SEWER	+	
○	MANHOLE	○	FENCE	+	& PROFILE	+	
□	CATCH BASIN	□	POLE - HYDRO, MTS	+	GROUND ABOVE PIPE	+	
▽	CURB INLET	▽	CURB STOP	+	& DITCH (NORTH & WEST)	+	
<	REDUCER	<	GUY ANCHOR	+	& DITCH (SOUTH & EAST)	+	
+	COUPLER	+	LIGHT STANDARD	+	GUTTER (NORTH & WEST)	+	
+	ANKER	+	FENCE	+	GUTTER (SOUTH & EAST)	+	
EXISTING	LEGEND-PLAN	PROPOSED	EXISTING	LEGEND-PLAN	PROPOSED	EXISTING	LEGEND-PROFILE

B.M. ELEV. \_\_\_\_\_ FIELD BOOK # \_\_\_\_\_  
 POSTED TO LBS \_\_\_\_\_

**CITY OF WINNIPEG WATER AND WASTE ENGINEERING DIVISION**

DESIGNED BY NC CHECKED BY TW  
 DRAWN BY BAW/DJH APPROVED BY KZ  
 HOR. SCALE 1:250 RELEASED FOR CONSTRUCTION  
 VERTICAL 1:50

2005 06 13

NO. REVISIONS \_\_\_\_\_ DATE BY \_\_\_\_\_

ENGINEER'S SEAL

ORIGINAL SIGNED BY K.R. ZUREK 05/06/13

**THE CITY OF WINNIPEG WATER AND WASTE DEPARTMENT**

2005 WATERMAIN RENEWALS PINECREST BAY (WEST LEG)  
 DONWOOD DRIVE TO 65 m NORTH OF DONWOOD DRIVE

SHEET 10 of 12  
 CITY DRAWING NUMBER D-8761