

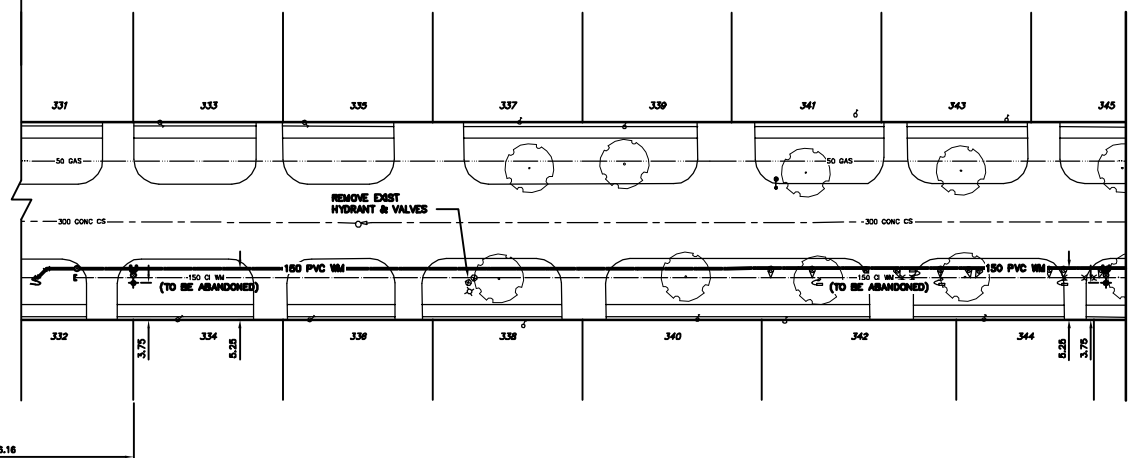
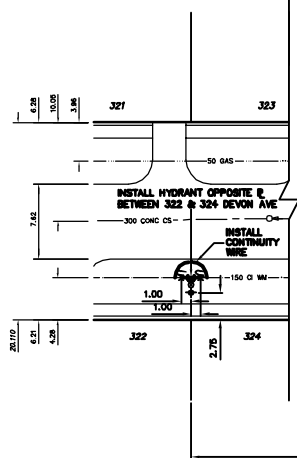
- CONSTRUCTION NOTES**
1. EXPOSE EXISTING WATERMAIN & CONFIRM INVERTS PRIOR TO CONSTRUCTION.
 2. LOCATE ALL SERVICES IN THE FIELD.
 3. INSTALL WATERMAIN BY TRENCHLESS METHODS.
 4. TRENCHES AND EXCAVATIONS WITHIN 1 METRE OF A PAVED AREA INCLUDING SIDEWALKS SHALL BE CLASS 3 BACKFILL.
 5. ALL MATERIALS SHALL CONFORM TO THE CITY OF WINNIPEG STANDARD CONSTRUCTION SPECIFICATIONS.
 6. MINIMUM COVER TO TOP OF WATERMAIN SHALL BE 2.4 m.
 7. REPLACE ALL EXISTING LEAD SERVICES FROM PROPOSED WATERMAIN TO E.
 8. NOTIFY ALL AFFECTED RESIDENTS AND BUSINESSES 24 HOURS IN ADVANCE OF ANY WATER SHUTDOWNS OR DISRUPTION OF SERVICE.

WATER SERVICE INFORMATION					
ADDRESS	SIZE (mm)	SIZE (mm) & TYPE	SHORT & LONG MEASUREMENT	CORP. LOCATION	REMARKS
335 DEVON ST	20	20	0.76 EHWL	NO INFO	--
RESIDENTIAL	COPPER	COPPER		NO INFO	--
335 DEVON ST	20	20	0.91 EWL	NO INFO	--
RESIDENTIAL	COPPER	COPPER		NO INFO	--
335 DEVON ST	20	20	1.18 EWL	NO INFO	--
RESIDENTIAL	COPPER	COPPER		NO INFO	--
335 DEVON ST	20	20	1.34 WEH	NO INFO	--
RESIDENTIAL	COPPER	COPPER		NO INFO	--
335 DEVON ST	20	20	1.52 EWL	NO INFO	--
RESIDENTIAL	COPPER	COPPER		NO INFO	--
340 DEVON ST	20	20	1.76 OHL	NO INFO	--
RESIDENTIAL	COPPER	COPPER		NO INFO	--
340 DEVON ST	20	20	1.88 EWL	NO INFO	--
RESIDENTIAL	COPPER	COPPER		NO INFO	--
342 DEVON ST	20	20	1.92 EWL	NO INFO	--
RESIDENTIAL	COPPER	COPPER		NO INFO	--
342 DEVON ST	20	20	1.92 EWL	NO INFO	--
RESIDENTIAL	COPPER	COPPER		NO INFO	--
344 DEVON ST	20	20	2.53 WEH	NO INFO	--
RESIDENTIAL	COPPER	COPPER		NO INFO	--
344 DEVON ST	20	20	1.92 EWL	NO INFO	--
RESIDENTIAL	COPPER	COPPER		NO INFO	--
344 DEVON ST	20	20	2.44 EWL	NO INFO	--
COMMERCIAL	COPPER	COPPER		NO INFO	--
348 DEVON ST	20	20	0.91 WEH	NO INFO	--
COMMERCIAL	COPPER	COPPER		NO INFO	--
348 DEVON ST	20	20	0.40 EWL	NO INFO	--
COMMERCIAL	COPPER	COPPER		NO INFO	--

* SERVICES TO BE RENEWED TO E. ALL OTHERS TO BE RECONNECTED

NOTE: CHAINAGES SHOWN ARE ALONG S R. OF DEVON AVE.

DEVON AVENUE



MATCHLINE STA. 1+25
SEE DWG. D-8755



METRIC
WHOLE NUMBERS INDICATE MILLIMETRES
DECIMAL NUMBERS INDICATE METRES

NOTE: ALL VALUES TO BE INSTALLED
COUNTERLOCUMENTS TO CLOSE

WARNING

IF POWER EQUIPMENT OR EMPLOYEES ARE TO BE USED FOR EXCAVATION ON THIS PROJECT THE CONTRACTOR MUST:

- 1) NOTIFY THE GAS COMPANY OF THE PROPOSED LOCATION OF EXCAVATION.
- 2) TAKE PRECAUTION TO AVOID DAMAGE TO GAS COMPANY INSTALLATIONS.

SEE PROVINCIAL REGULATION 216/72 FOR DETAILS



200 WM	WATERMAIN	200 WM	SL. HYDR	150 MTS	WATERMAIN	150 WM	LOCATION APPROVED
HYDRANT	VALVE	TRAFFIC SIGNALS	50 GAS	LAND DRAINAGE SEWER	300 CONC CS	UNDERGROUND STRUCTURES	
500 LBS	LAND DRAINAGE SEWER	375 WWS	WASTEWATER SEWER	MANHOLE	CATCH BASIN	CURB INLET	REDUCER
ANODE	COUPLER	EXISTING	LEGEND-PLAN	PROPOSED	EXISTING	LEGEND-PROFILE	PROPOSED

B.M. ELEV. FIELD BOOK #

POSTED TO LBS

CITY OF WINNIPEG
WATER AND WASTE
ENGINEERING DIVISION

DESIGNED BY: NC CHECKED BY: TW

DRAWN BY: BAW/DJH APPROVED BY: KZ

HOR. SCALE: 1:250
VERTICAL: 1:50

RELEASED FOR CONSTRUCTION

NO. REVISIONS DATE BY DATE

2005 08 13

ENGINEER'S SEAL

ORIGINAL SIGNED BY K.R. ZUREK 05/06/13

THE CITY OF WINNIPEG
WATER AND WASTE DEPARTMENT

2005 WATERMAIN RENEWALS

182 m WEST OF ROTHESAY STREET TO 86 m WEST OF ROTHESAY STREET

SHEET 3 of 12
CITY DRAWING NUMBER D-8754