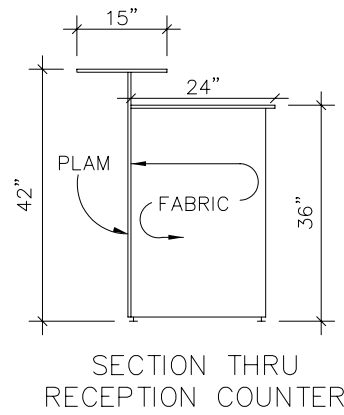
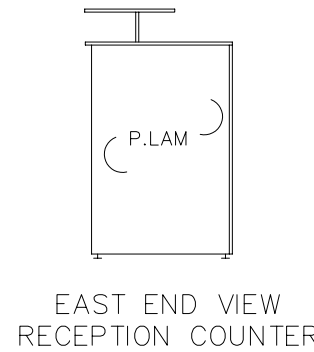


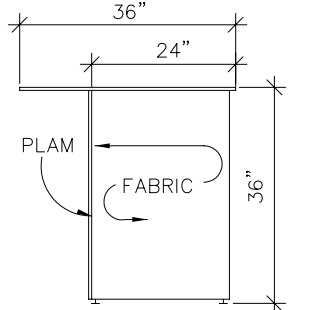
PARTIAL MAIN FLOOR PLAN  
SCALE: 3/32"=1'-0"



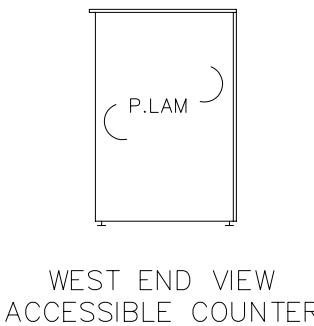
SECTION THRU RECEPTION COUNTER



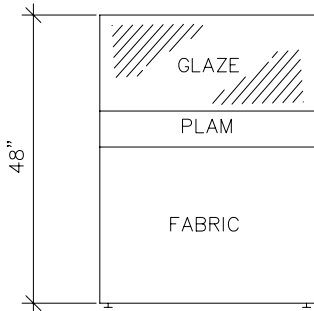
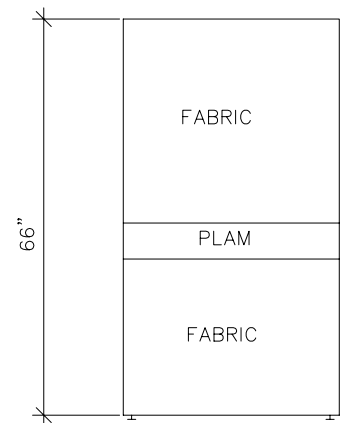
EAST END VIEW RECEPTION COUNTER



SECTION THRU ACCESSIBLE COUNTER



WEST END VIEW ACCESSIBLE COUNTER



PANELS THROUGHOUT  
SIZES VARY

MODULAR FURNITURE – ELEVATIONS  
SCALE: 3/8"=1'-0"

LEGEND:

FREE STANDING WORK STATIONS

- "A" STATION TYPE # A
- "B" STATION TYPE # B

RECEPTION COUNTER PARTITIONS  
(SEE SPEC. FOR CLADDING)

- 36" (H)BASE W 6" ADD ON
- 4 @ 60" W
- 1 @ 24" W

- 36" (H) BASE
- 1 @ 36"
- 6 @ 24"

- 28" (H) BASE
- 1 @ 36"
- 1 @ 60"

RECEPTION WORK SURFACES

- 24" DEEP 4 @ 60"
- 1 @ 24"
- 36" DEEP 1 @ 60"

RECEPTION TRANSACTION TOPS

- 15" DEEP 4 @ 60"
- 1 @ 24"

RECEPTION PEDESTALS

- 1 @ € 35" (H), MOBILE (SEE SPEC.)

ALL OTHER PARTITIONS

- 66"(h) – FABRIC w P.LAM
- FLIPPER DOORS B.S.
- 3 @ 36"
- 4 @ 42"
- 3 @ 60"

CUSTOMER SERVICE STATION ④  
SOUTH SEGMENT ONLY

- 48"(h) – BASE – FABRIC W P.LAM
- FLIPPER DOORS B.S. AND 15"
- GLAZED ADD ON.

- 1 @ 42"
- 1 @ 48"
- 1 @ 36"
- 1 @ 30"

NOTES :

NO.	REVISION/DESCRIPTION	BY	DATE
-----	----------------------	----	------

SEALS

DRAWN BY: MBD	CHECKED BY: SDH/DA
DATE: 2005.05.12	APPROVED BY:



CITY OF WINNIPEG  
PLANNING, PROPERTY &  
DEVELOPMENT DEPARTMENT  
CIVIC ACCOMMODATIONS  
DIVISION  
300-65 GARRY ST. R3C 4K4

PROJECT:

FURNITURE FOR WINNIPEG PARKING AUTHORITY  
491 PORTAGE AVENUE

SHEET TITLE:

PARTIAL MAIN FLOOR PLAN  
MODULAR FURNITURE LAYOUT

SCALE: AS NOTED	PROJECT NO: 2005-014	SHEET NO: <b>A-1</b>
--------------------	-------------------------	-------------------------