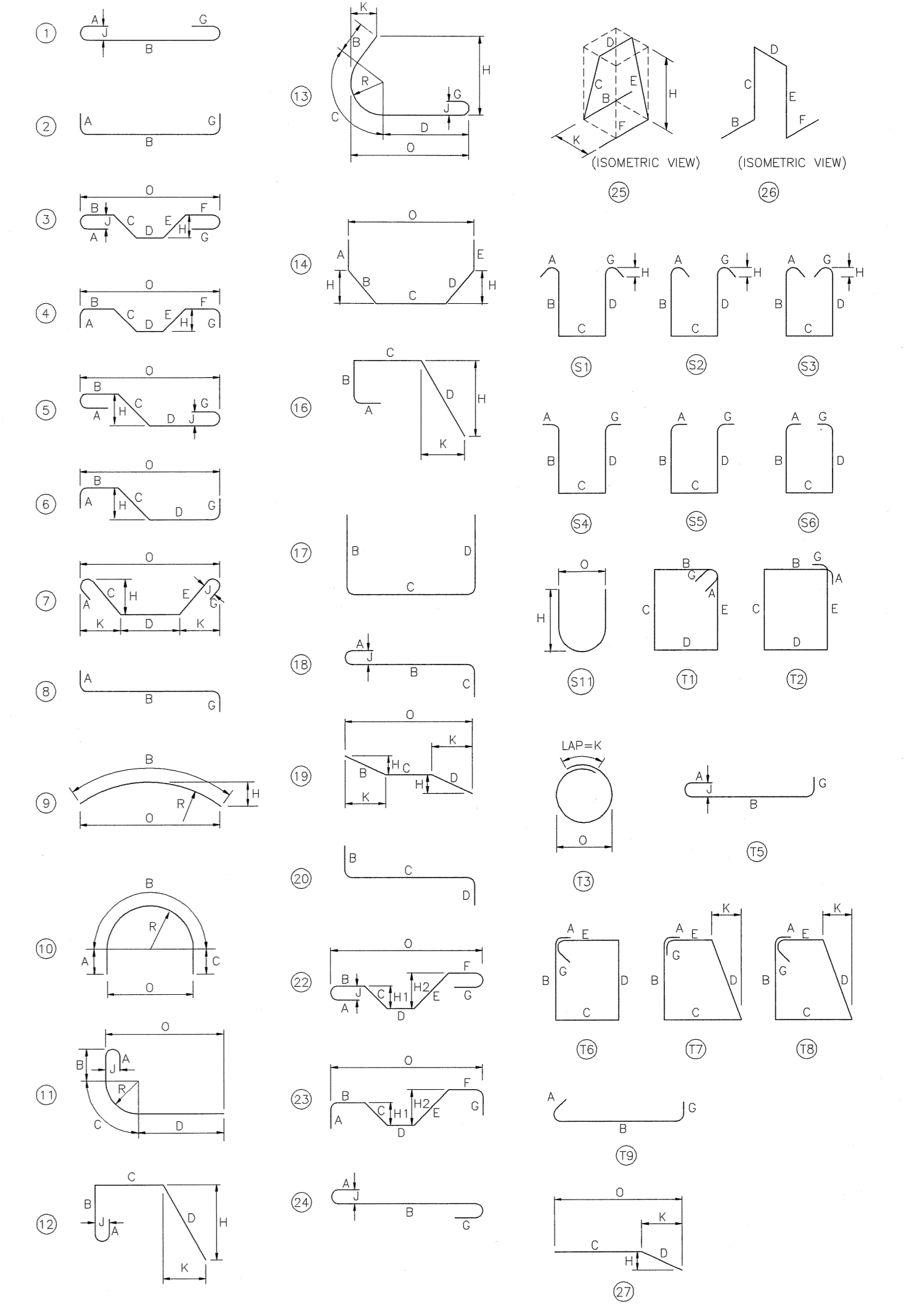


D SIZE 22" x 34" (559mm x 864mm)

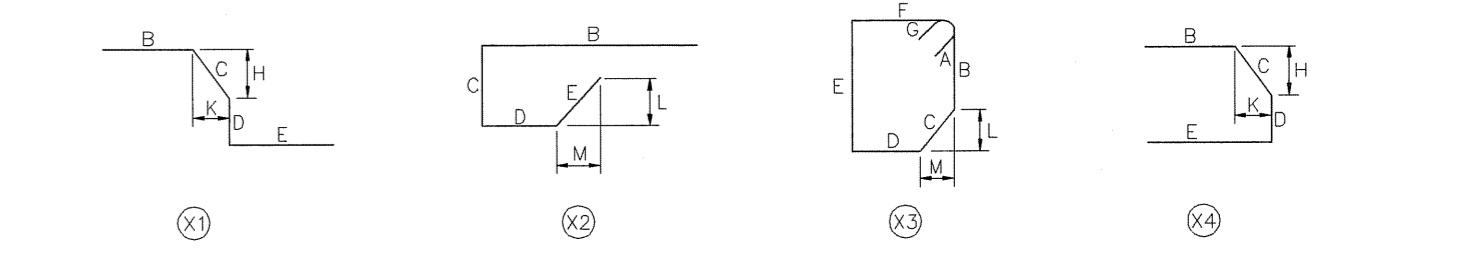
Table with 18 columns: MARKS, NO BARS, SIZE, LENGTH, TYPE, A, B, C, D, E, F, G, H, J, K, L, M, O, R, SHAPE, MASS (kg). Includes 'PIER #2 ENCASEMENT' header and 54 rows of bar data.

Table with 18 columns: MARKS, NO BARS, SIZE, LENGTH, TYPE, A, B, C, D, E, F, G, H, J, K, L, M, O, R, SHAPE, MASS (kg). Includes 'PIER #2 ENCASEMENT (CONTINUED)' header and 30 rows of bar data, ending with 'DWG TOTAL WEIGHT = 2085.7 kg'.

PIER #2 CONTINUED ON NEXT SHEET



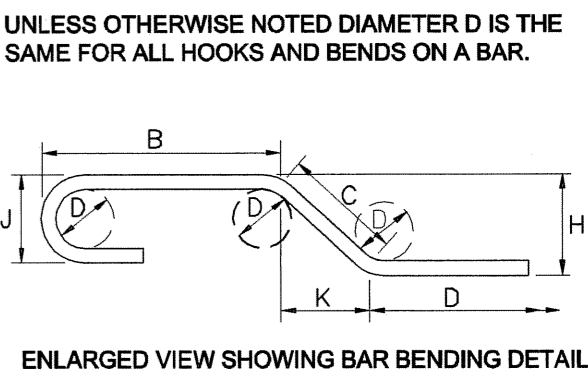
A.C.I. - TYPICAL BAR BENDS



SPECIAL BAR BENDS

NOTES:

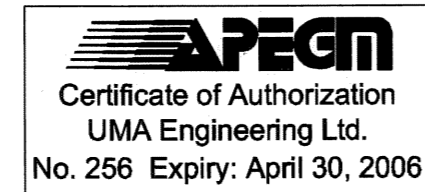
- 1. ALL DIMENSIONS ARE OUT-TO-OUT OF A BAR EXCEPT 'A' AND 'G' ON STANDARD 180° AND 135° HOOKS.
2. 'J' DIMENSION ON 180° HOOKS TO BE SHOWN ONLY WHERE NECESSARY TO RESTRICT HOOK SIZE...
3. ON TRUSS BARS 'J' WILL BE KEPT EQUAL TO OR LESS THAN 'H'...
4. THE STIRRUPS 'H' DIMENSION SHOULD BE SHOWN ONLY WHERE NECESSARY TO FIT WITHIN CONCRETE.
5. CRITICAL DIMENSIONS ARE TO BE IDENTIFIED WHERE BARS ARE TO BE BENT MORE ACCURATELY THAN STANDARD BENDING TOLERANCES.
6. ON TYPE T3 'G' DIMENSION IS EQUAL TO CLASS C SPLICE.
7. FIGURES SHOWN IN CIRCLES SHOWN TYPES.
8. ALL BAR BENDS OTHER THAN THE TYPES SHOWN ABOVE MUST BE DESIGNATED TYPE 'X'.



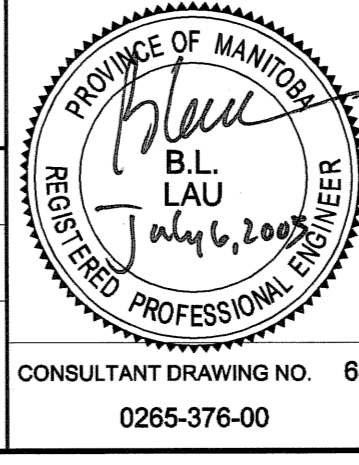
ENLARGED VIEW SHOWING BAR BENDING DETAILS

Bid Opportunity No. 257-2005

PLOT SCALE 1:1... AUG04 10:00 P1028355-03\AUG04\05-11 Working Drawing\0285-355-03_01-S-DWG_PX.dwg 2003-08-20 3:21pm CGC



UMA Engineering Ltd. logo and signature block including 'DESIGNED BY BLL', 'DRAWN BY DL', 'ACCEPTED BY' and date '2.5 07 07'.



CITY OF WINNIPEG PUBLIC WORKS DEPARTMENT logo and project details: 'REDWOOD BRIDGE REHABILITATIVE MAINTENANCE AND RELATED WORKS', 'PIER #2 REINFORCING STEEL SCHEDULE', City Drawing Number B113-05-64, Sheet 64 of 74, Rev 0.