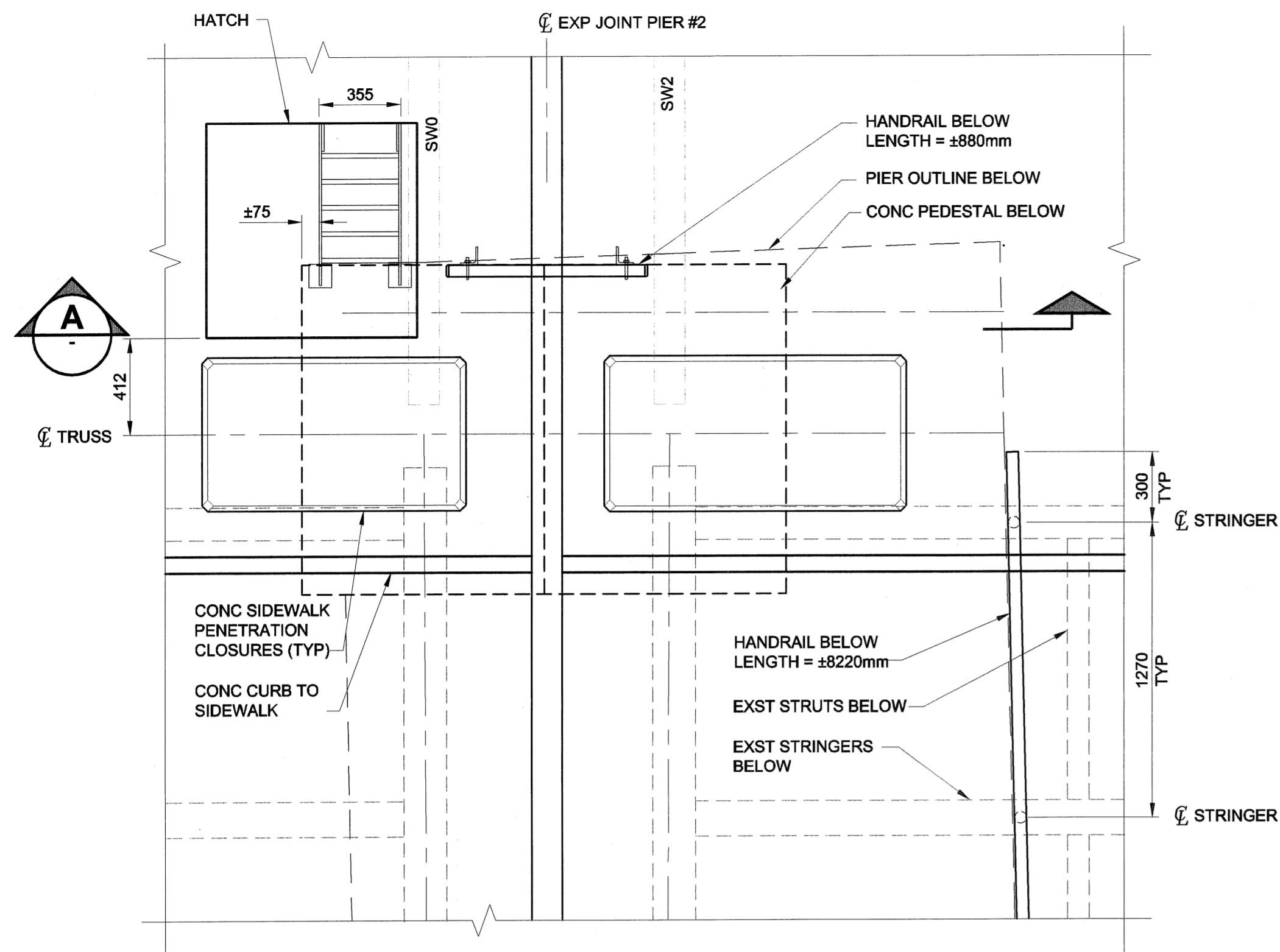
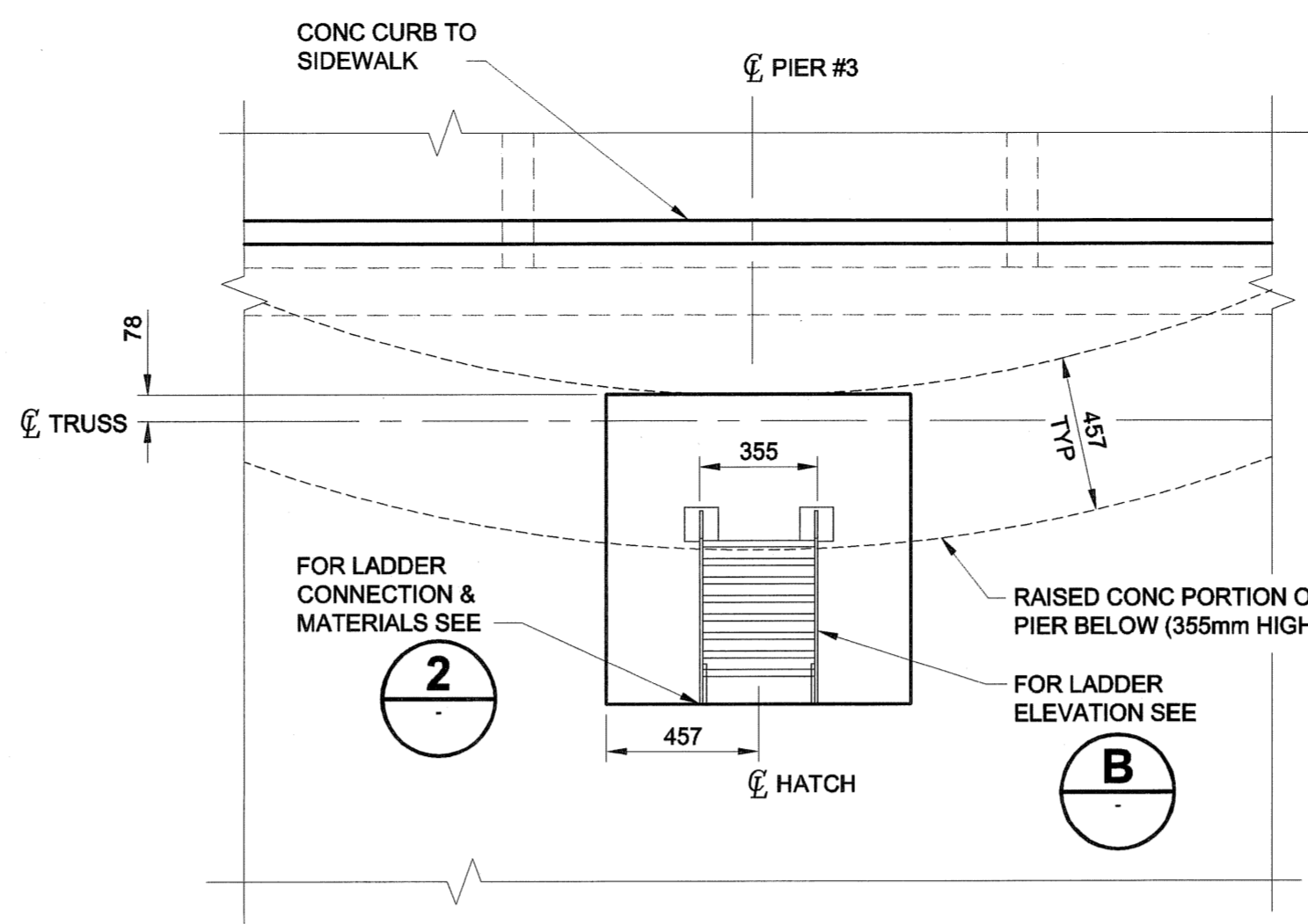


D SIZE 22" x 34" (559mm x 864mm)



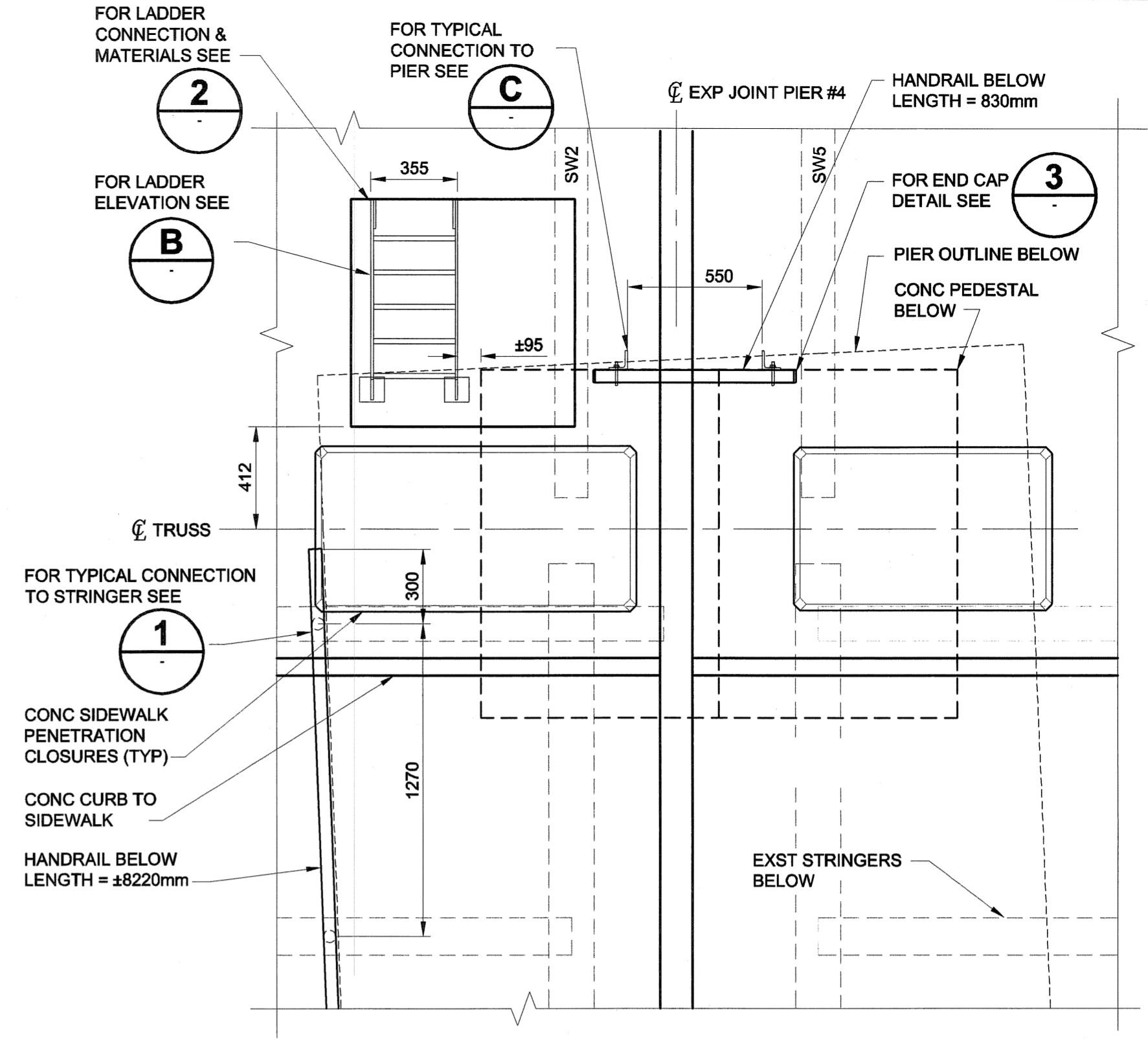
**PIER #2 PLAN**

SCALE 1:20 0 200 400 600 mm



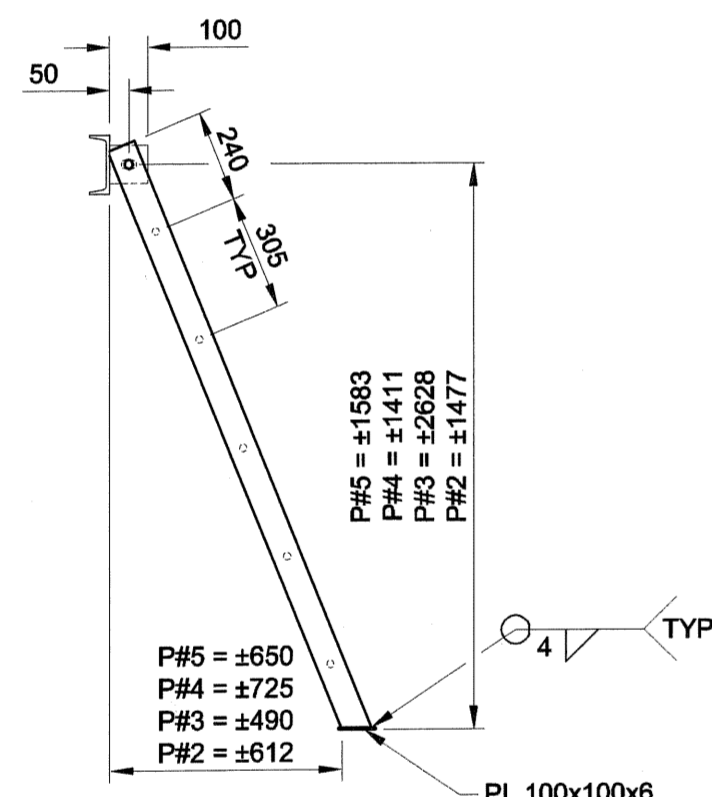
**PIER #3 PLAN**

SCALE 1:20 0 200 400 600 mm



**PIER #4 PLAN**

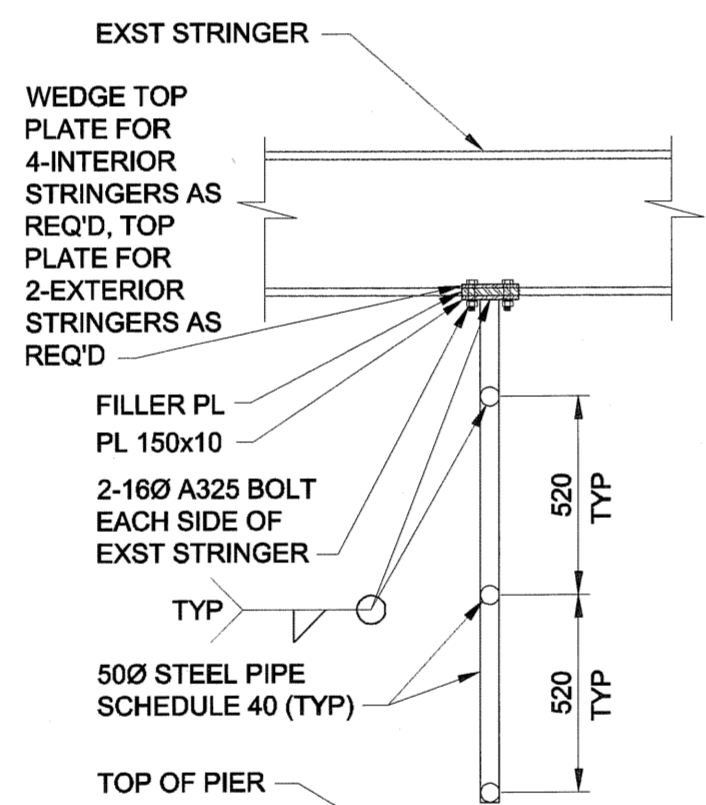
SCALE 1:20 0 200 400 600 mm



**ELEVATION**

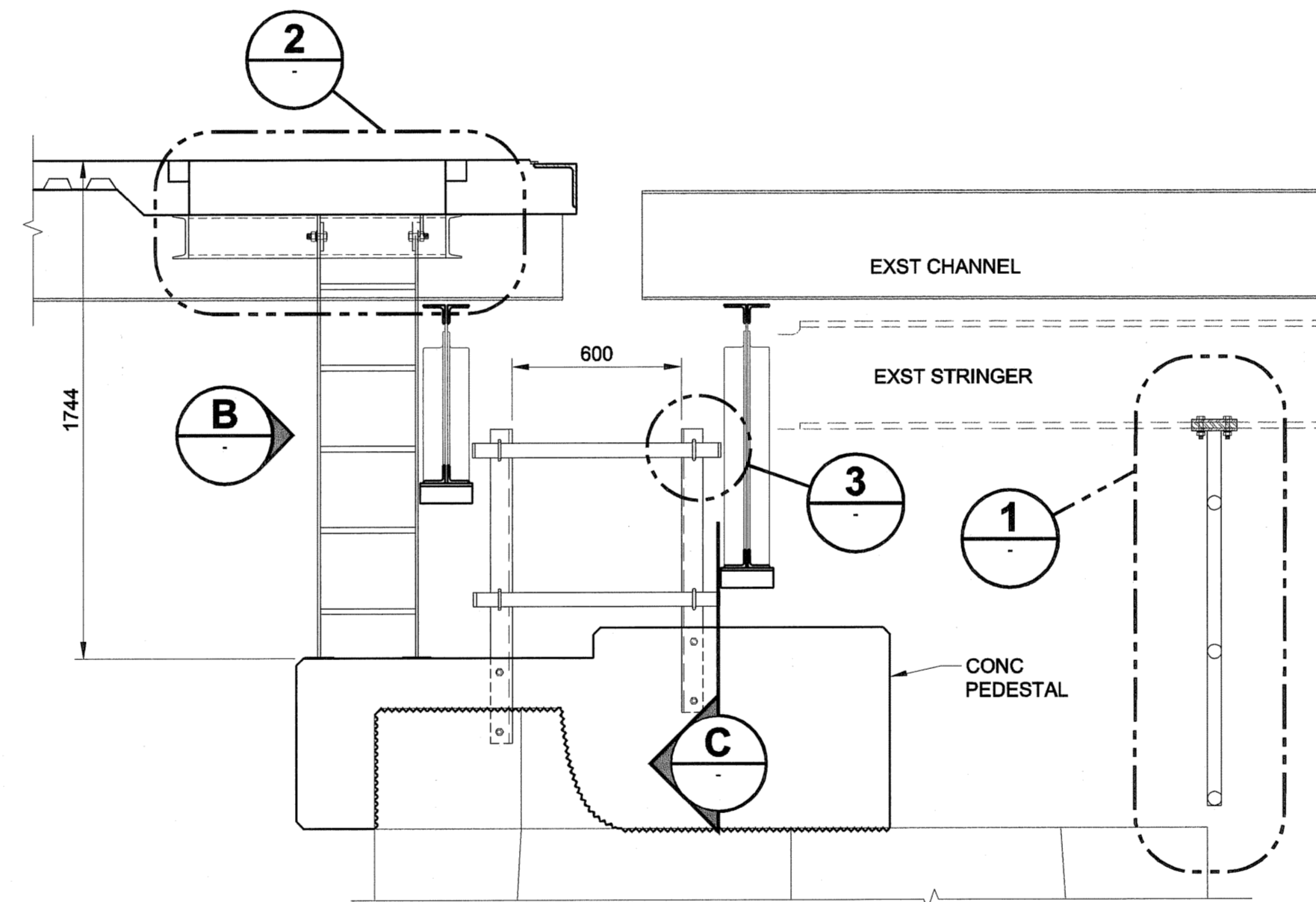
SCALE 1:20 0 200 400 600 mm

ACCESS LADDER



**DETAIL**

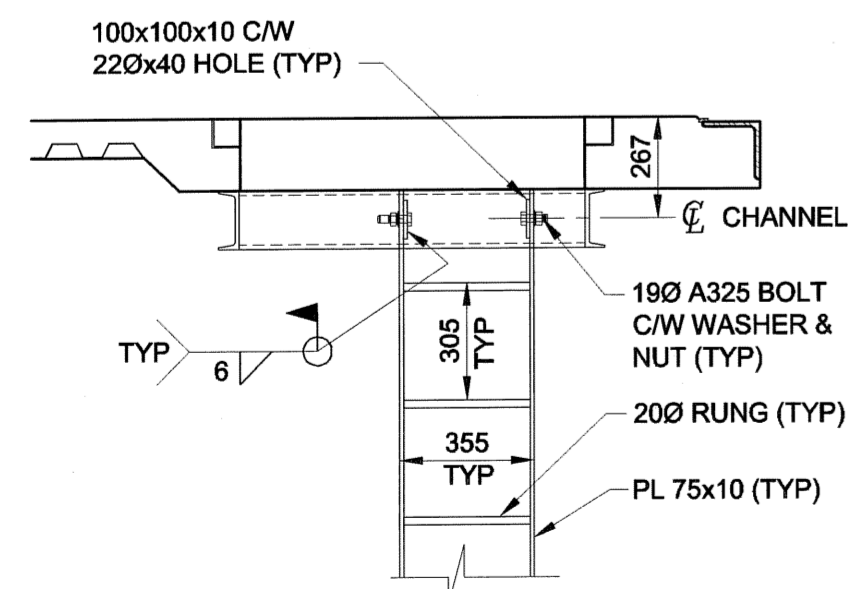
SCALE 1:20 0 200 400 600 mm



**SECTION**

SCALE 1:20 0 200 400 600 mm

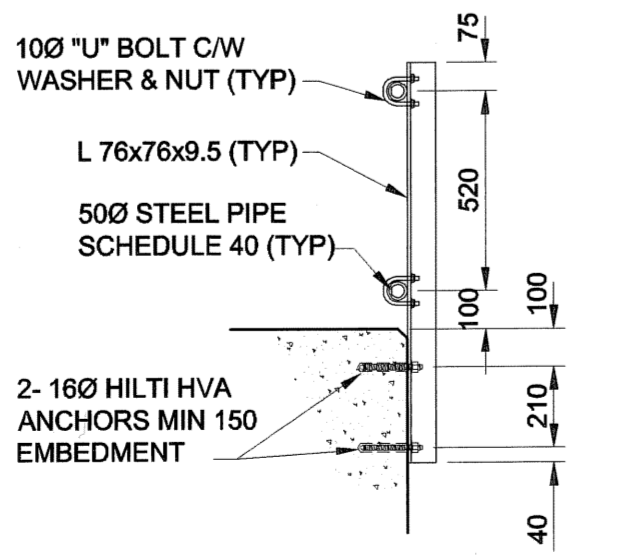
PIER #2



**DETAIL**

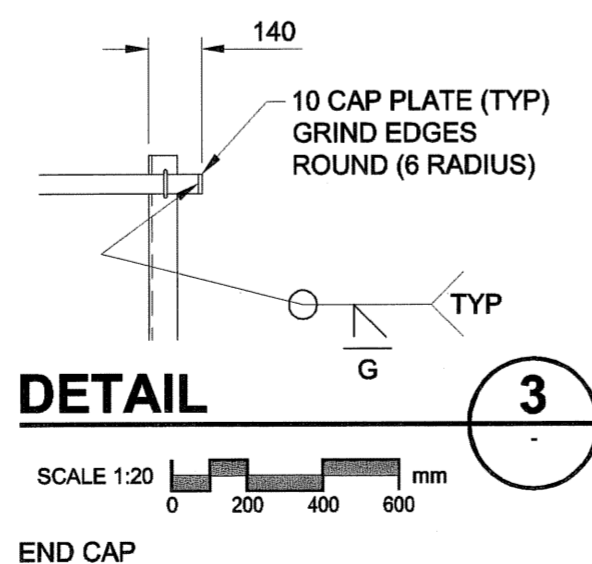
SCALE 1:20 0 200 400 600 mm

LADDER AND CONNECTION



**SECTION**

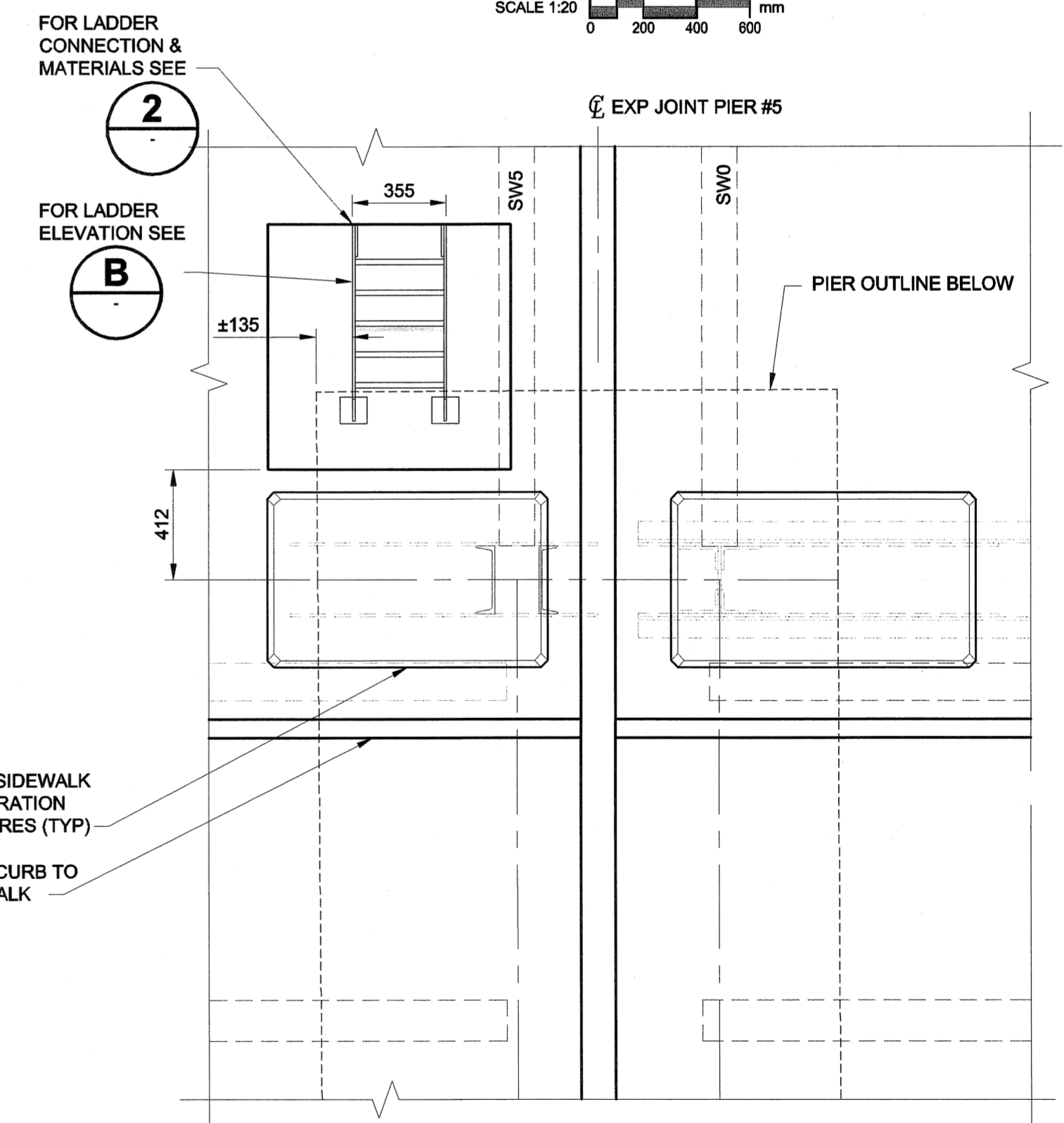
SCALE 1:20 0 200 400 600 mm



**DETAIL**

SCALE 1:20 0 200 400 600 mm

END CAP



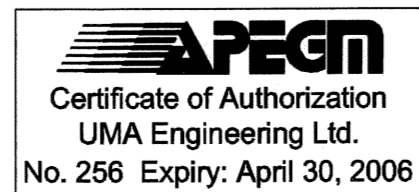
**PIER #5 PLAN**

SCALE 1:20 0 200 400 600 mm

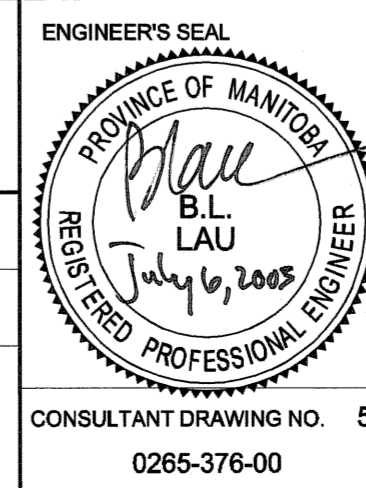
**NOTE:**

ALL DIMENSIONS SHOWN ON THE DRAWINGS ARE BASED ON AVAILABLE INFORMATION AND RECORD DRAWINGS. THE CONTRACTOR SHALL FIELD MEASURE AND VERIFY ALL DIMENSIONS PRIOR TO COMMENCING CONSTRUCTION OR PRIOR TO PREPARATION OF SHOP DRAWINGS. THE CONTRACTOR SHALL MAKE THE APPROPRIATE ADJUSTMENTS TO THE APPLICABLE DETAILS AND DIMENSIONS ACCEPTABLE TO THE CONTRACT ADMINISTRATOR. THE CONTRACTOR SHALL THEN FABRICATE AND CONSTRUCT THE WORKS IN ACCORDANCE WITH THE CORRECTED DIMENSIONS.

**METRIC**  
WHOLE NUMBERS INDICATE MILLIMETRES  
DECIMALIZED NUMBERS INDICATE METRES



<b>UMA</b> UMA Engineering Ltd. • Consulting • Engineering • Construction • Management Services	
DESIGNED BY: BLL	CHECKED BY: SBB
DRAWN BY: CGC	APPROVED BY: <i>BUB</i>
HOR. SCALE: AS SHOWN	ACCEPTED BY: <i>meil</i>
VERT. SCALE: AS SHOWN	DATE: 2005 07 07
NO. REVISIONS	DATE



**THE CITY OF WINNIPEG**  
PUBLIC WORKS DEPARTMENT

**REDWOOD BRIDGE**  
REHABILITATIVE MAINTENANCE AND  
RELATED WORKS

**PIER #2, #3, #4 AND #5**  
ACCESS LADDER AND SAFETY RAILING DETAILS

CITY DRAWING NUMBER: B113-05-57  
SHEET 57 OF 74  
REV 57 0

ENGINEER'S SEAL: CONSULTANT DRAWING NO. 57, 0265-376-00

Bid Opportunity No. 257-2005

PLOT SCALE 1:1  
PLOT DATE 13/08/05  
PLOT TIME 10:25:55  
PLOT USER: 03\autocad\... Working Drawings\0265-355-03\_01-5-0057\_Rk.dwg 2003-08-20 3:22pm CGC