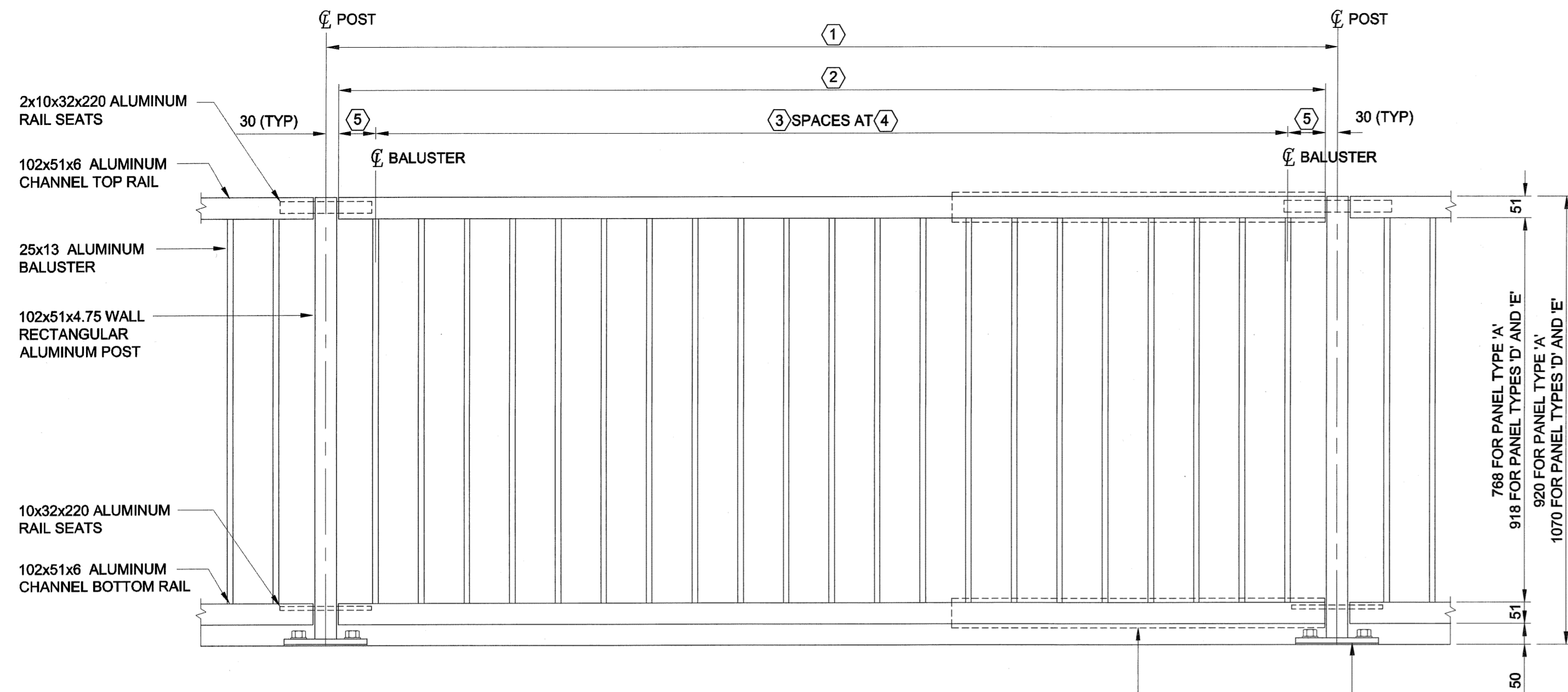
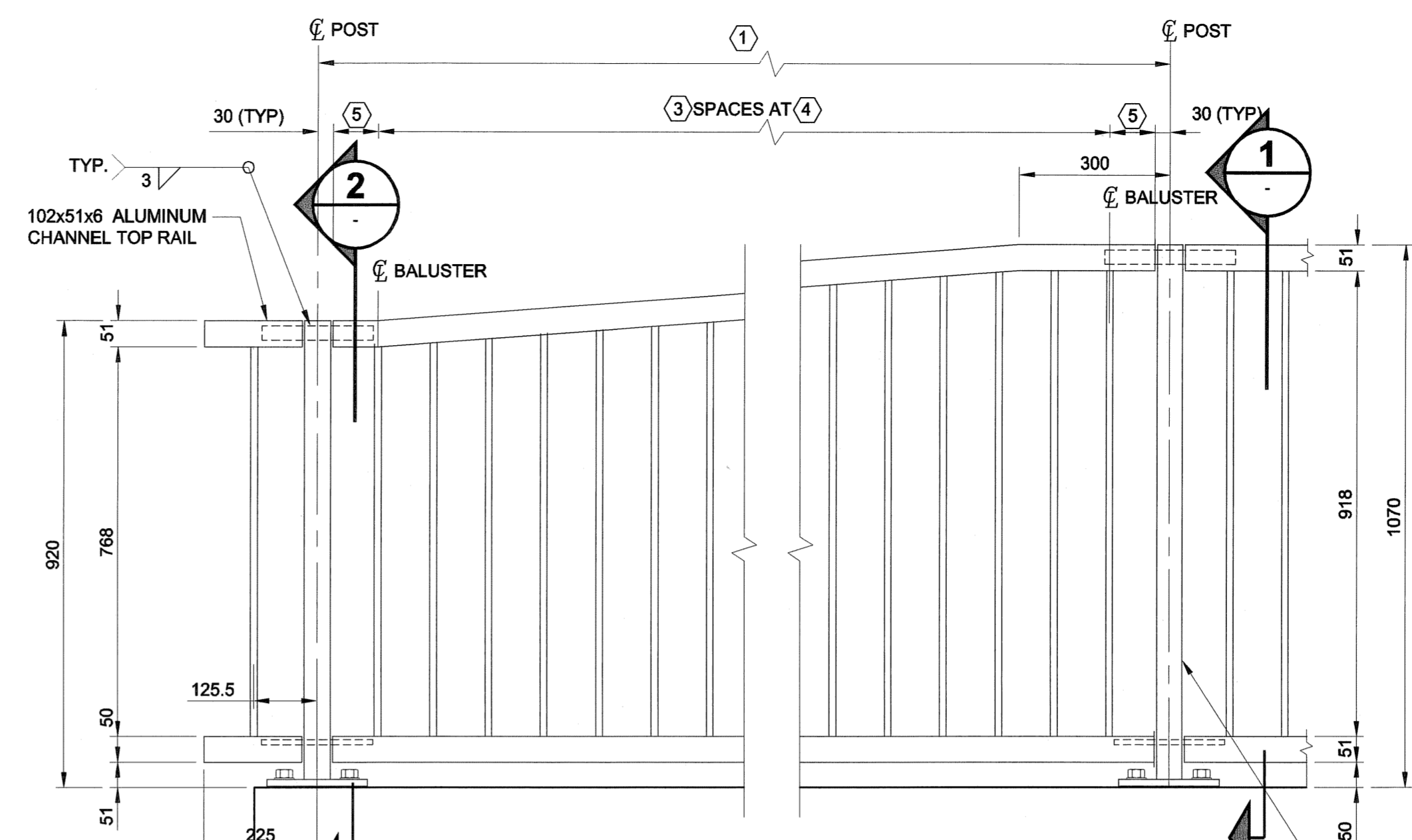


D SIZE 22" x 34" (559mm x 864mm)



PANEL ELEVATION

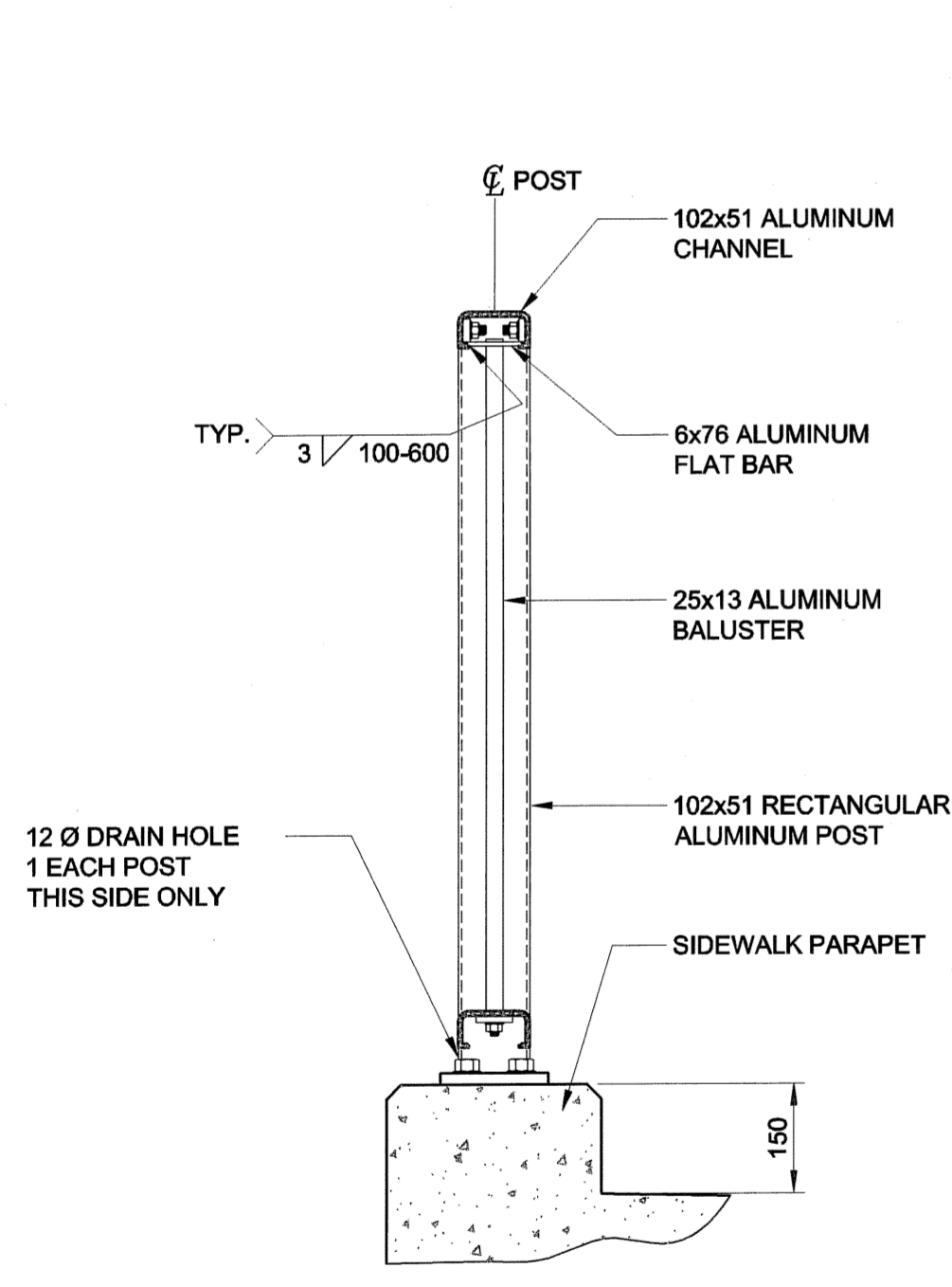
SCALE 1:10
FOR PANEL TYPES 'A', 'D' AND 'E'



PANEL ELEVATION

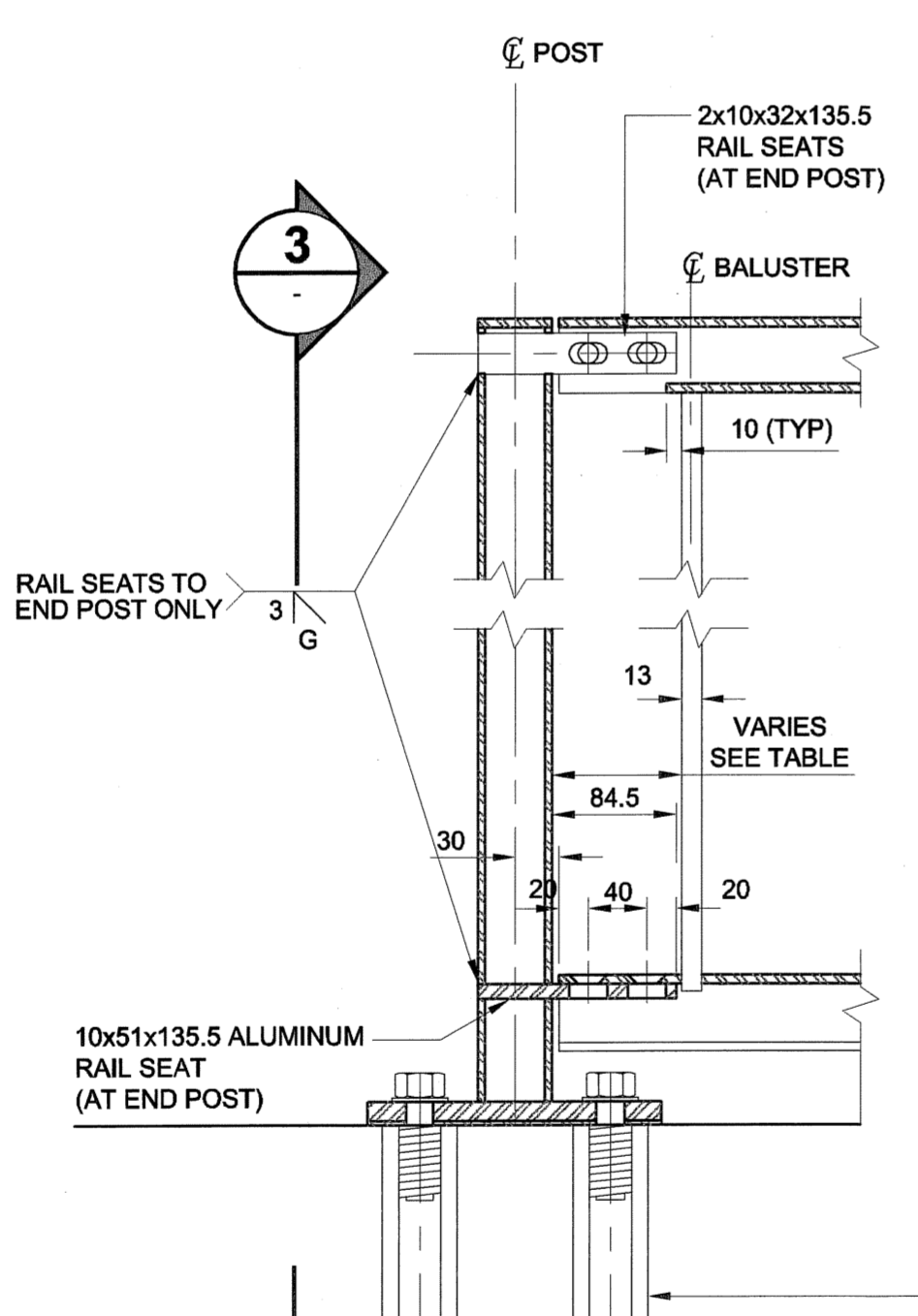
SCALE 1:10
FOR PANEL TYPE 'B'

- DRAWING NOTES**
1. THIS DRAWING TO BE READ IN CONJUNCTION WITH DRAWING 54 AND THE SPECIFICATIONS.
 2. THE UNDERSIDE OF THE POST SHIM SHALL BE PAINTED WITH ALKALI RESISTANT BITUMINOUS PAINT MEETING THE REQUIREMENTS OF CG58 31.GP.3.
 3. HANDRAIL ANCHOR INSERT SHALL BE ACROW-RICHMOND TYPE DGRS-1.
 4. ALUMINUM EXTRUSIONS SHALL CONFORM TO ASTM B221, ALLOY 6351-T6. ALUMINUM PLATES SHALL CONFORM TO ASTM B221, ALLOY 5083.
 5. THE MIG PROCESS OF WELDING SHALL BE USED.
 6. RAIL POST SHALL BE SET VERTICAL.
 7. ALL SLOTTED HOLES MUST BE FINISHED SMOOTH AND TRUE.
 8. SS DENOTES STAINLESS STEEL.
 9. THE CONTRACTOR SHALL SUBMIT COMPLETE PEDESTRIAN HANDRAIL SHOP DRAWINGS CONSISTING OF THREE PRINTS AND ONE REPRODUCIBLE REPRODUCIBLE SEPIA TO THE CONTRACT ADMINISTRATOR FOR REVIEW PRIOR TO FABRICATION.
 10. CONTRACTOR TO SUPPLY SAMPLE PANEL AND RECEIVE APPROVAL OF THE CONTRACT ADMINISTRATOR PRIOR TO FABRICATION OF THE REMAINDER. THE APPROVED SAMPLE SHALL BECOME THE STANDARD FOR ACCEPTANCE OF ALL PANELS.



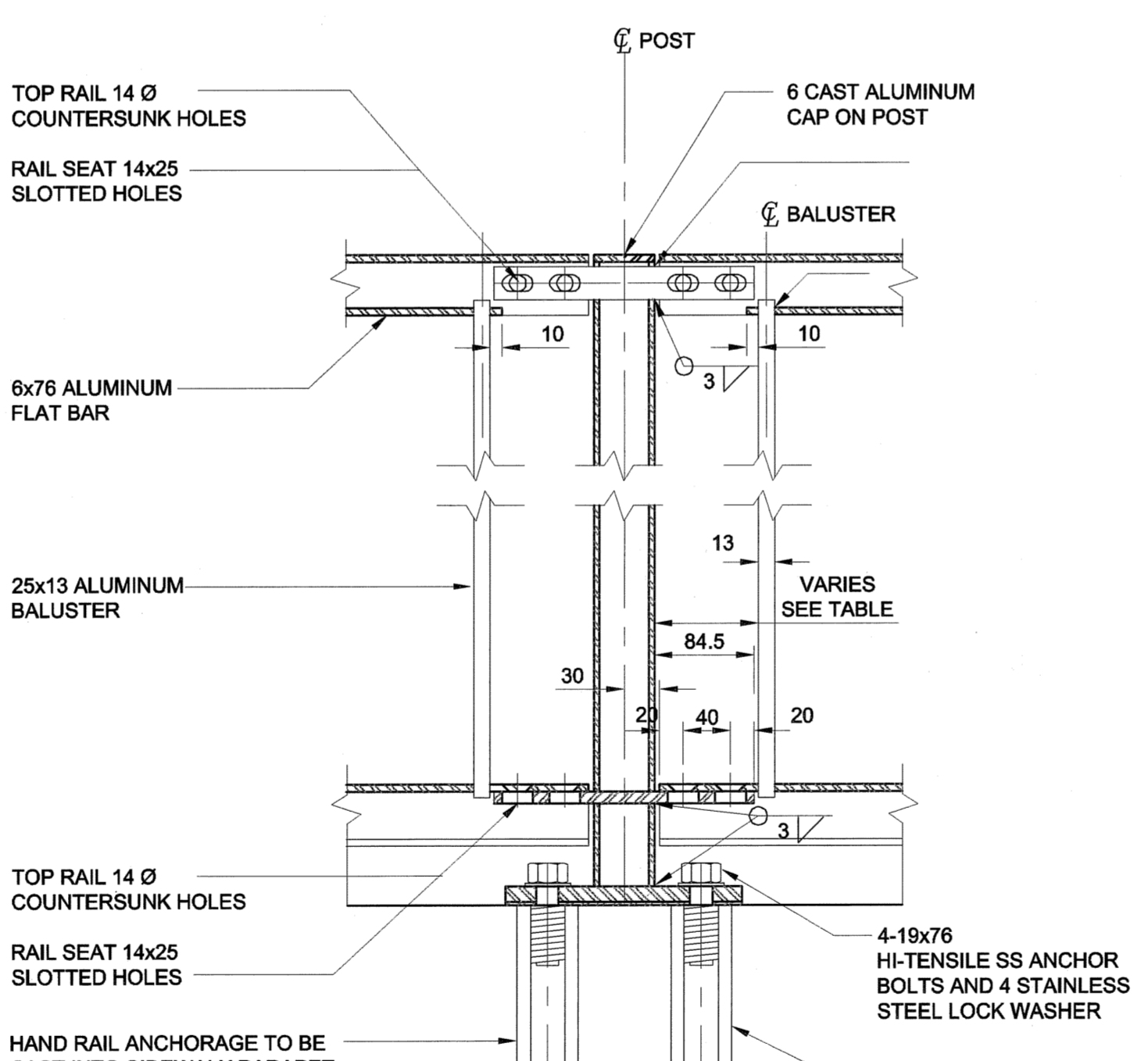
SECTION 1

SCALE 1:10



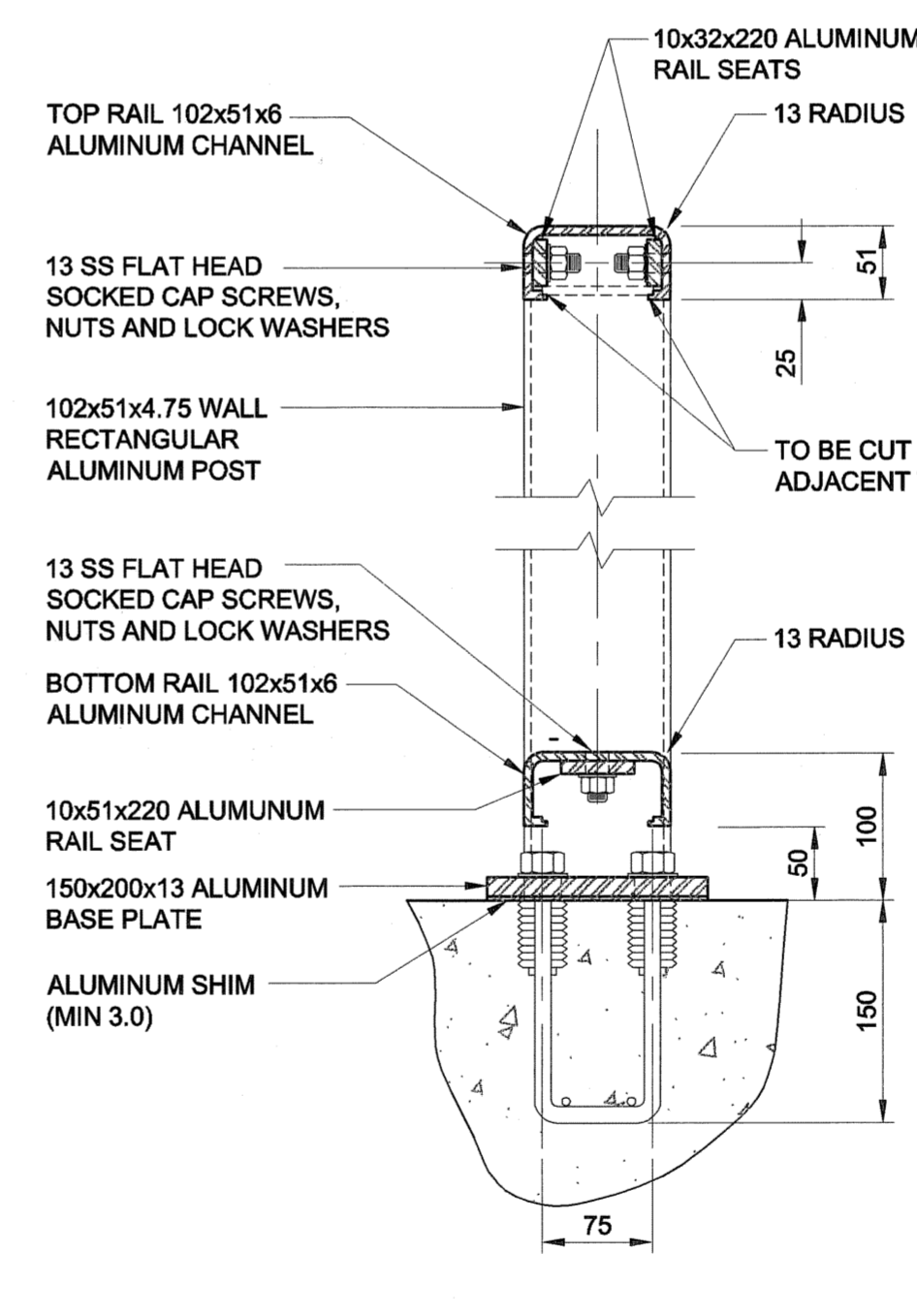
DETAIL AT END POSTS

SCALE 1:5



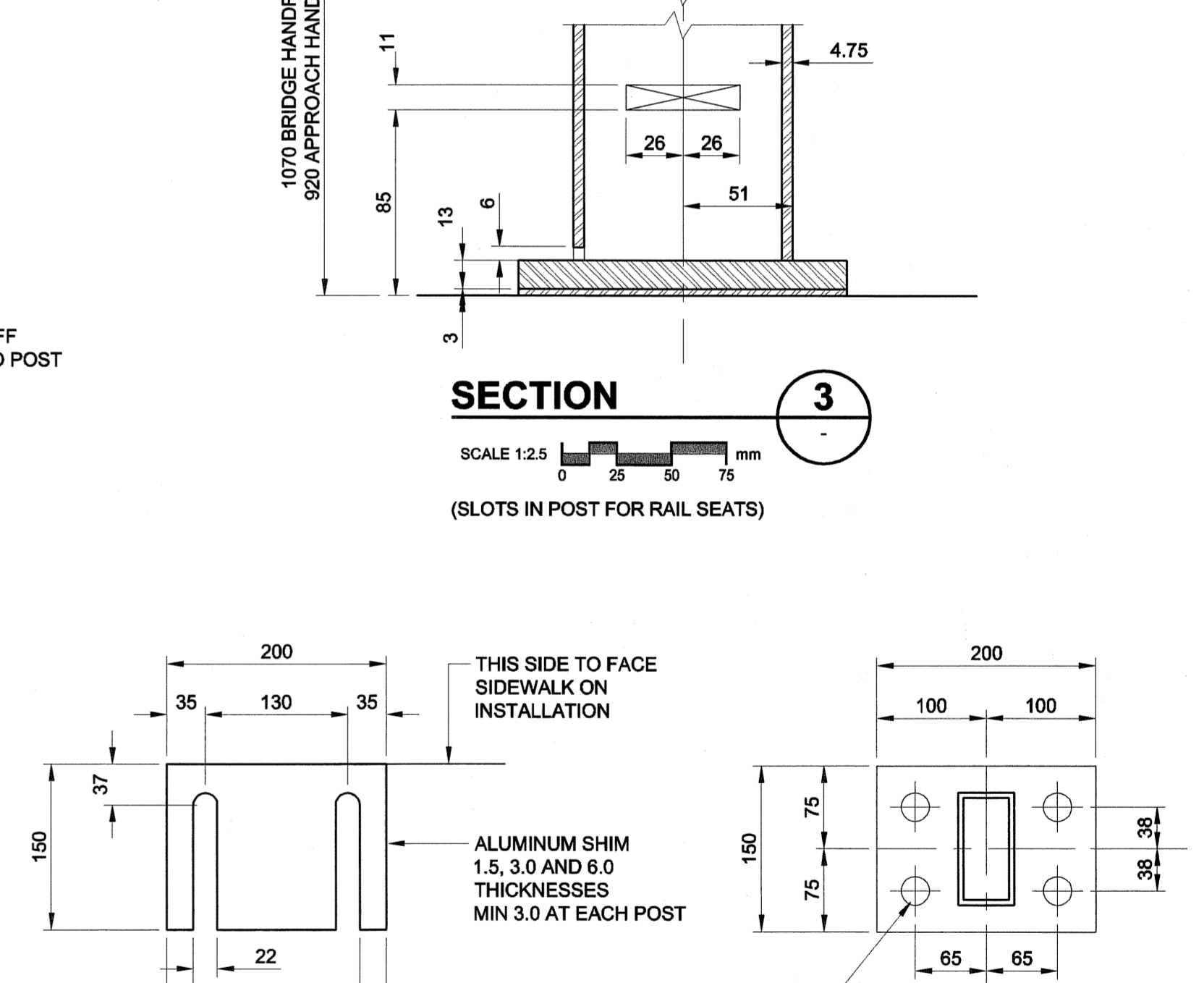
DETAIL AT INTERMEDIATE POSTS

SCALE 1:5



SECTION 2

SCALE 1:5



PEDESTRIAN POST SHIM

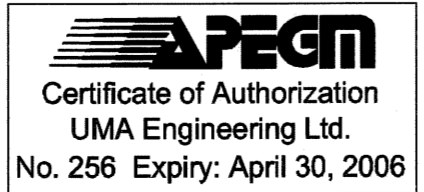
SCALE 1:5

TYP BASE PLATE DETAIL

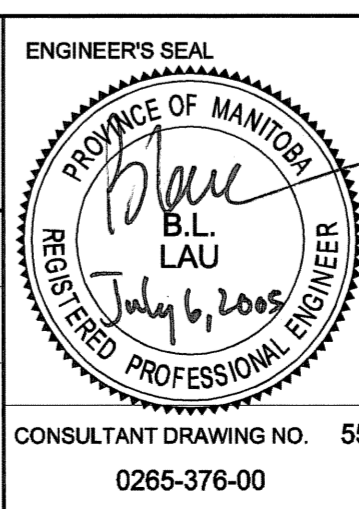
SCALE 1:5

NOTE:
ALL DIMENSIONS SHOWN ON THE DRAWINGS ARE BASED ON AVAILABLE INFORMATION AND RECORD DRAWINGS. THE CONTRACTOR SHALL FIELD MEASURE AND VERIFY ALL DIMENSIONS PRIOR TO COMMENCING CONSTRUCTION OR PRIOR TO PREPARATION OF SHOP DRAWINGS. THE CONTRACTOR SHALL MAKE THE APPROPRIATE ADJUSTMENTS TO THE APPLICABLE DETAILS AND DIMENSIONS ACCEPTABLE TO THE CONTRACT ADMINISTRATOR. THE CONTRACTOR SHALL THEN FABRICATE AND CONSTRUCT THE WORKS IN ACCORDANCE WITH THE CORRECTED DIMENSIONS.

METRIC
WHOLE NUMBERS INDICATE MILLIMETRES
DECIMALIZED NUMBERS INDICATE METRES



UMA Engineering Ltd. • Consulting • Engineering • Construction • Management Services	
DESIGNED BY: BLL	CHECKED BY: SBB
DRAWN BY: VK	APPROVED BY: BUB
HOR. SCALE: AS SHOWN	ACCEPTED BY: [Signature]
VERT. SCALE: AS SHOWN	DATE: 23-07-07
NO. REVISIONS	BY
0 ISSUED FOR CONSTRUCTION	05/07/05 MP
NO. REVISIONS	YYMMDD BY



THE CITY OF WINNIPEG PUBLIC WORKS DEPARTMENT

REDWOOD BRIDGE REHABILITATIVE MAINTENANCE AND RELATED WORKS

ALUMINUM PEDESTRIAN HANDRAIL ELEVATIONS, SECTIONS AND DETAILS

CITY DRAWING NUMBER B113-05-55
SHEET 55 OF 74
REV 0

CONSULTANT DRAWING NO. 55
0265-376-00