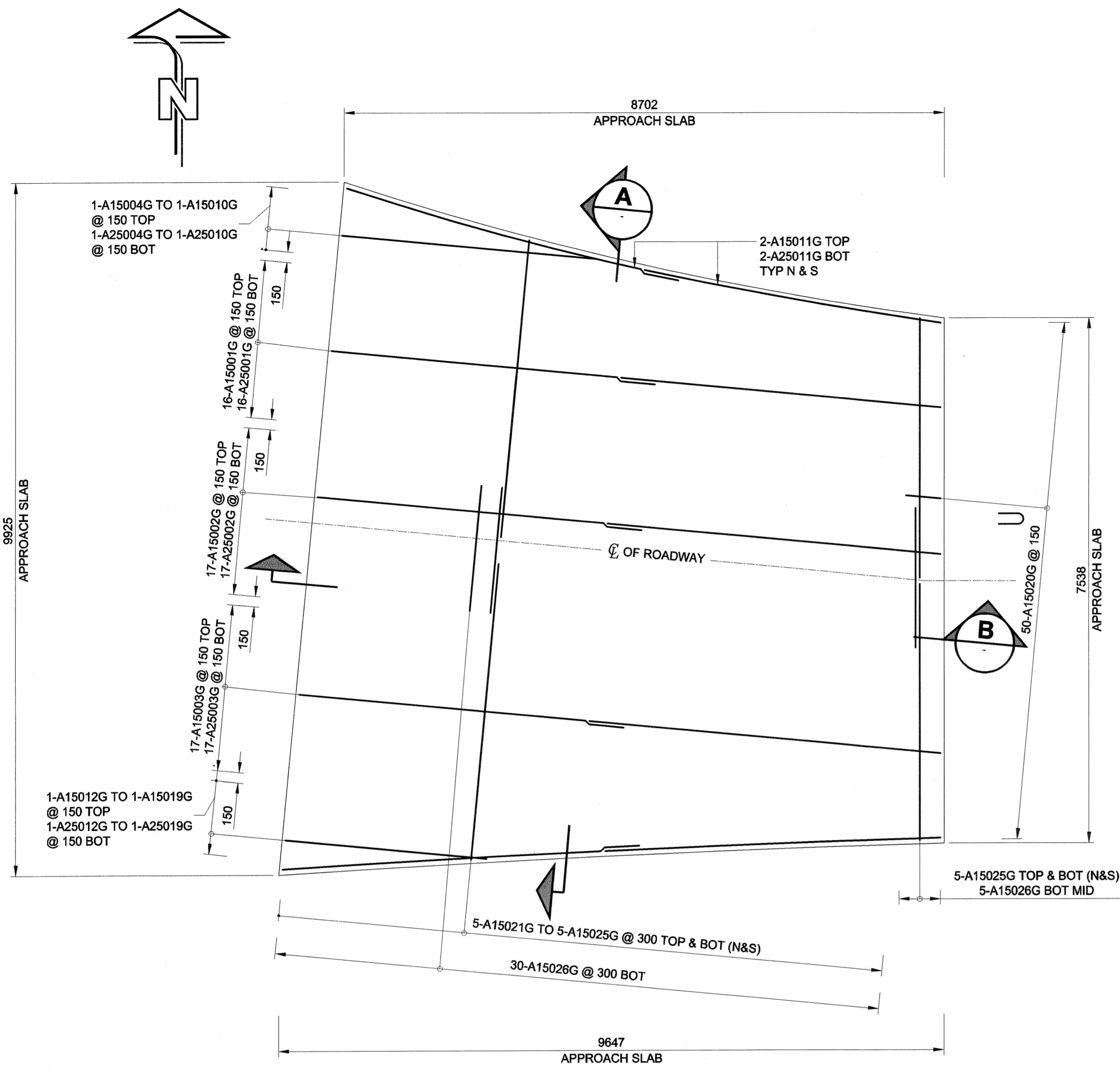
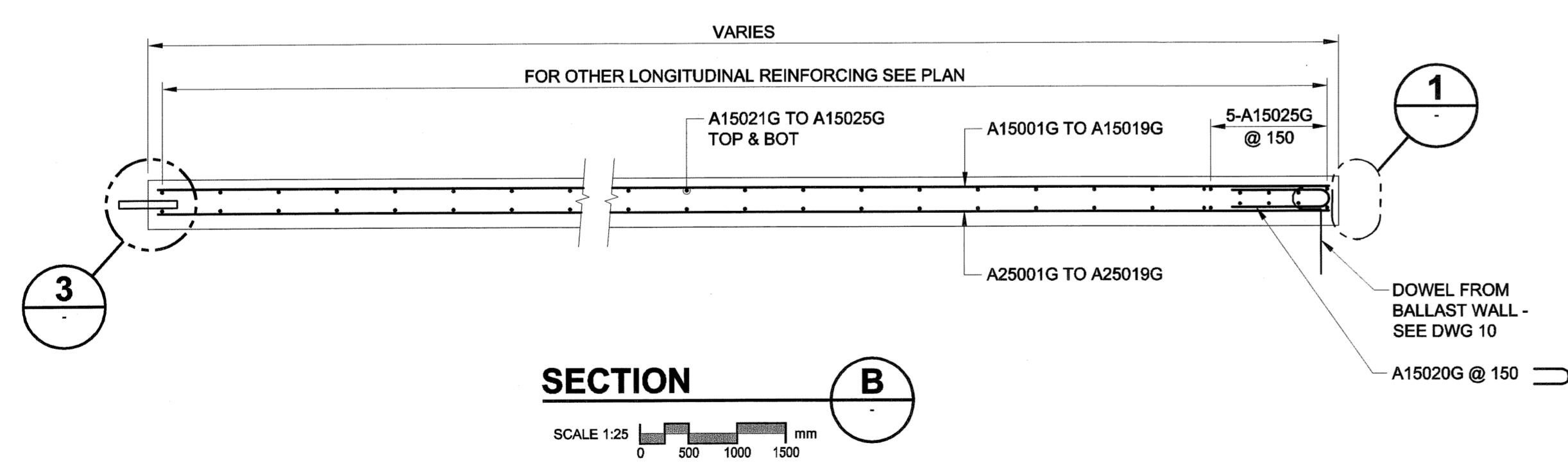


D SIZE 22" x 34" (569mm x 864mm)



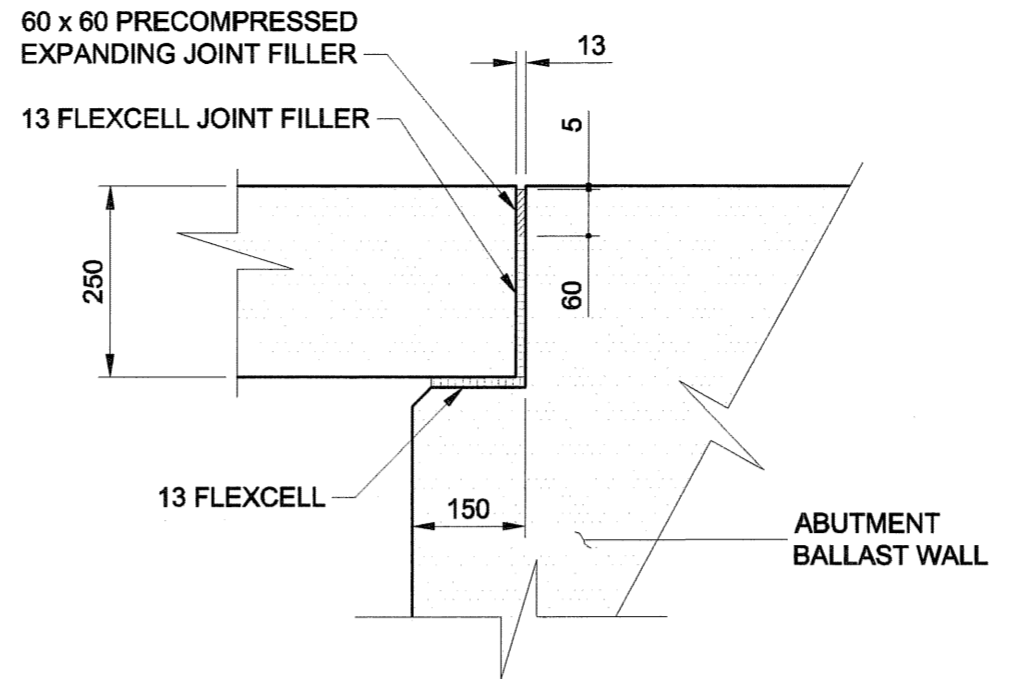
**WEST APPROACH SLAB PLAN**

SCALE 1:50



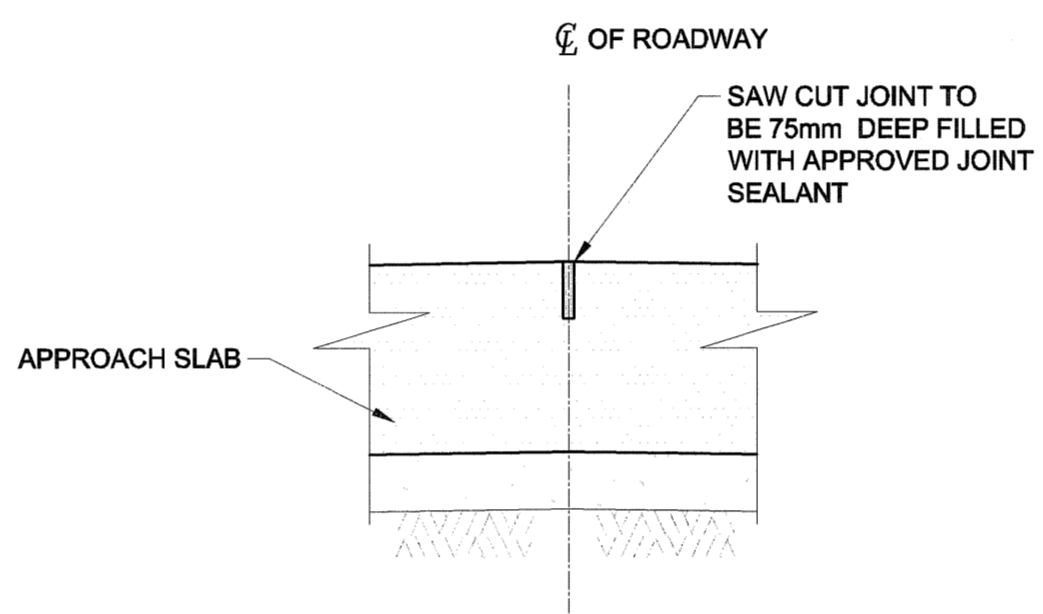
**SECTION B**

SCALE 1:25



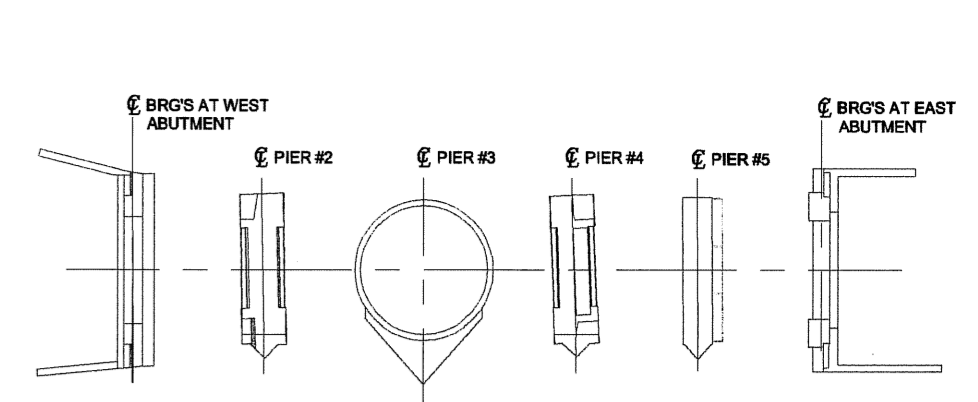
**DETAIL 1**

SCALE 1:10



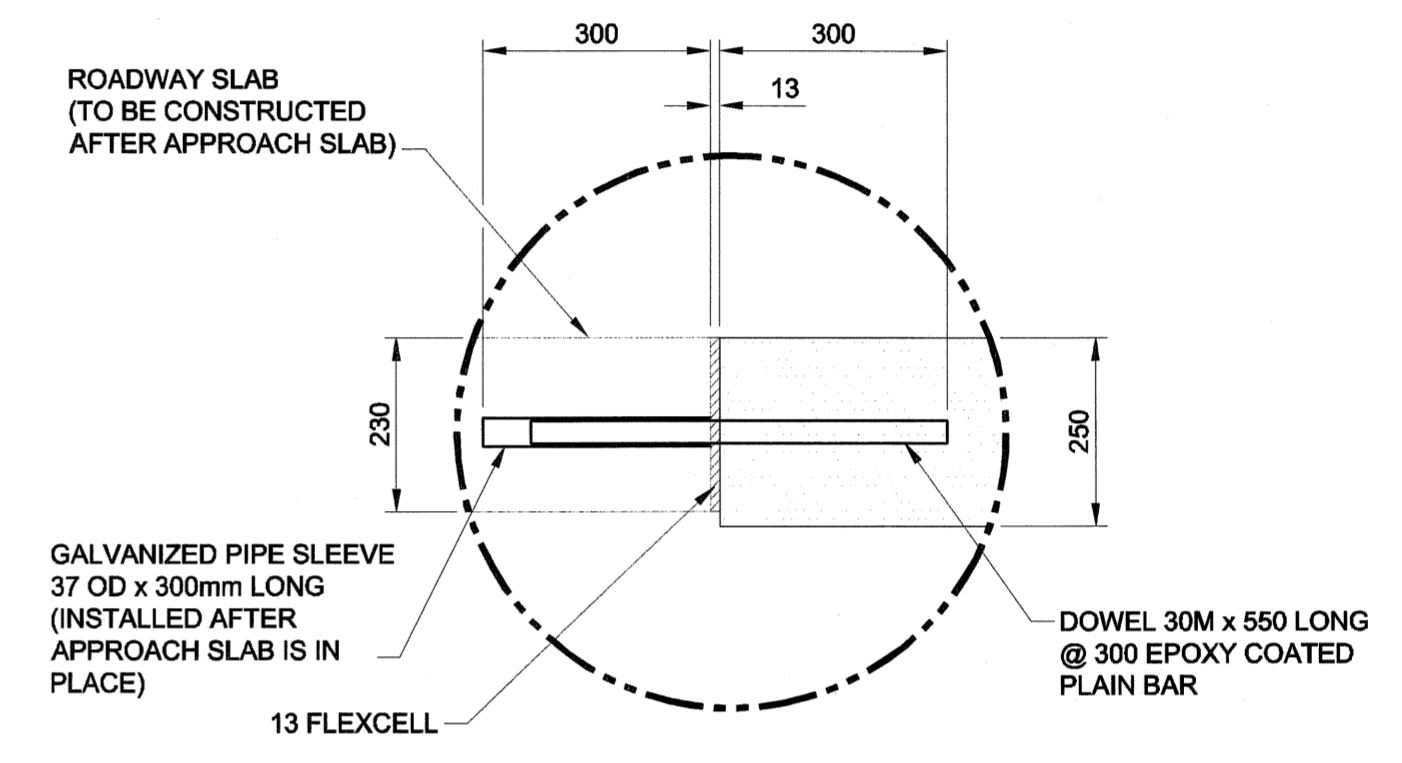
**DETAIL 2**

SCALE 1:10



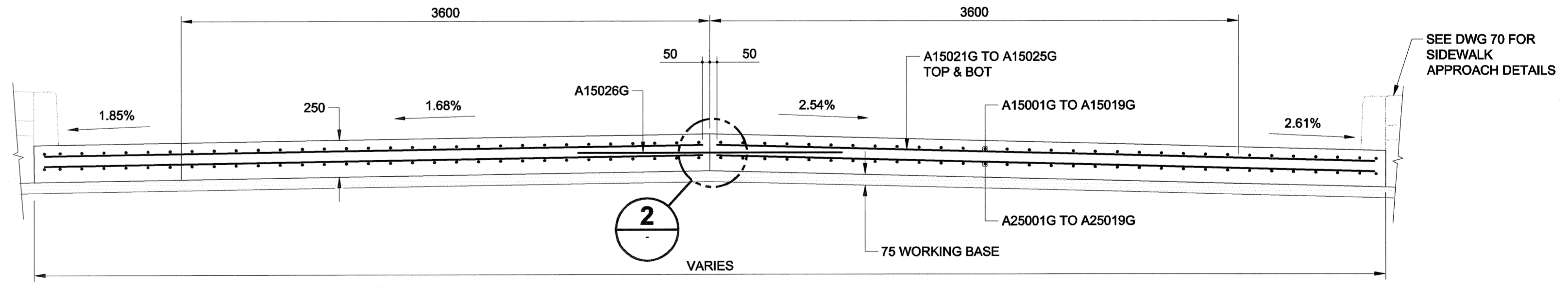
**KEY PLAN**

SCALE 1:500  
SUBSTRUCTURE - ABUTMENTS & PIERS



**DETAIL 3**

SCALE 1:10

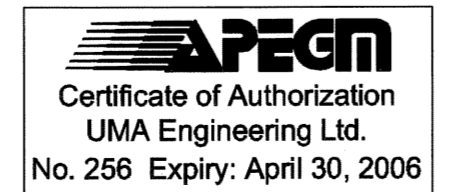


**SECTION A**

SCALE 1:25

**NOTE:**  
ALL DIMENSIONS SHOWN ON THE DRAWINGS ARE BASED ON AVAILABLE INFORMATION AND RECORD DRAWINGS. THE CONTRACTOR SHALL FIELD MEASURE AND VERIFY ALL DIMENSIONS PRIOR TO COMMENCING CONSTRUCTION OR PRIOR TO PREPARATION OF SHOP DRAWINGS. THE CONTRACTOR SHALL MAKE THE APPROPRIATE ADJUSTMENTS TO THE APPLICABLE DETAILS AND DIMENSIONS ACCEPTABLE TO THE CONTRACT ADMINISTRATOR. THE CONTRACTOR SHALL THEN FABRICATE AND CONSTRUCT THE WORKS IN ACCORDANCE WITH THE CORRECTED DIMENSIONS.

**METRIC**  
WHOLE NUMBERS INDICATE MILLIMETRES  
DECIMALIZED NUMBERS INDICATE METRES



<b>UMA Engineering Ltd.</b> • Consulting • Engineering • Construction • Management Services		
DESIGNED BY: BLL	CHECKED BY: SBB	
DRAWN BY: DL	APPROVED BY: <i>BLL</i>	CONSULTANT DRAWING NO. 49 0265-376-00
HOR. SCALE: AS SHOWN	ACCEPTED BY: <i>meid</i>	
VERT. SCALE: AS SHOWN	DATE: 2005-07-07	
NO. REVISIONS	DATE	

Bid Opportunity No. 257-2005

**THE CITY OF WINNIPEG  
PUBLIC WORKS DEPARTMENT**

**REDWOOD BRIDGE  
REHABILITATIVE MAINTENANCE AND  
RELATED WORKS**

**WEST APPROACH SLAB CONCRETE  
AND REINFORCING STEEL DETAILS**

CITY DRAWING NUMBER B113-05-49	SHEET 49	OF 74	REV 0
<b>49</b>			

PLOT SCALE: 1:1  
AutoCAD: 15.06 P:\0265\355-03\AutoCAD\3-1 Working Drawings\0265-355-03-01-5-0049\_BK.dwg 2003-08-20 3:13pm CGC