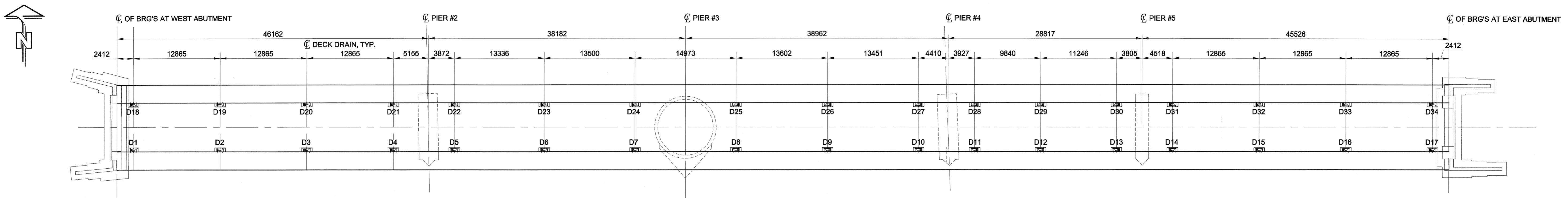
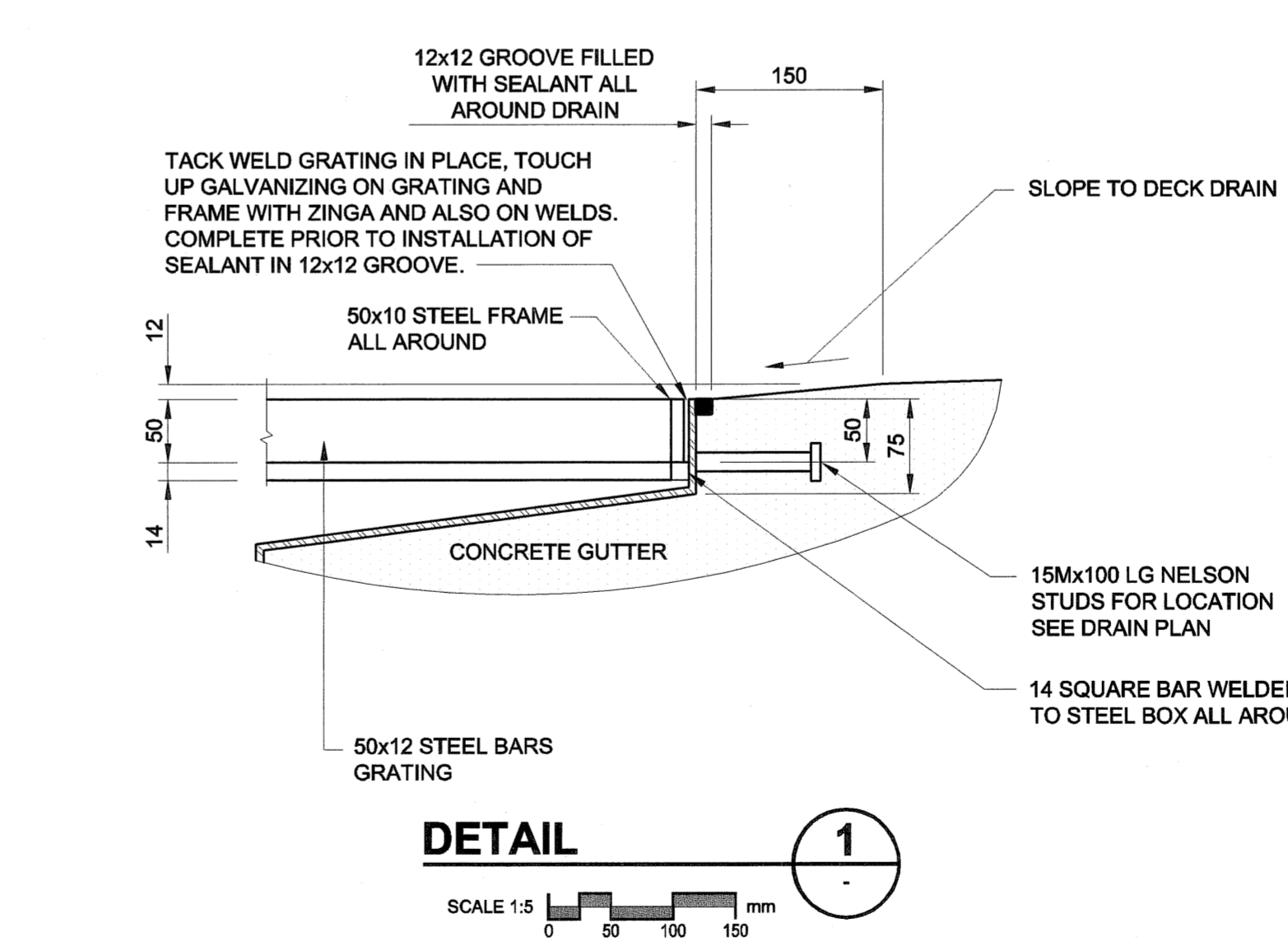
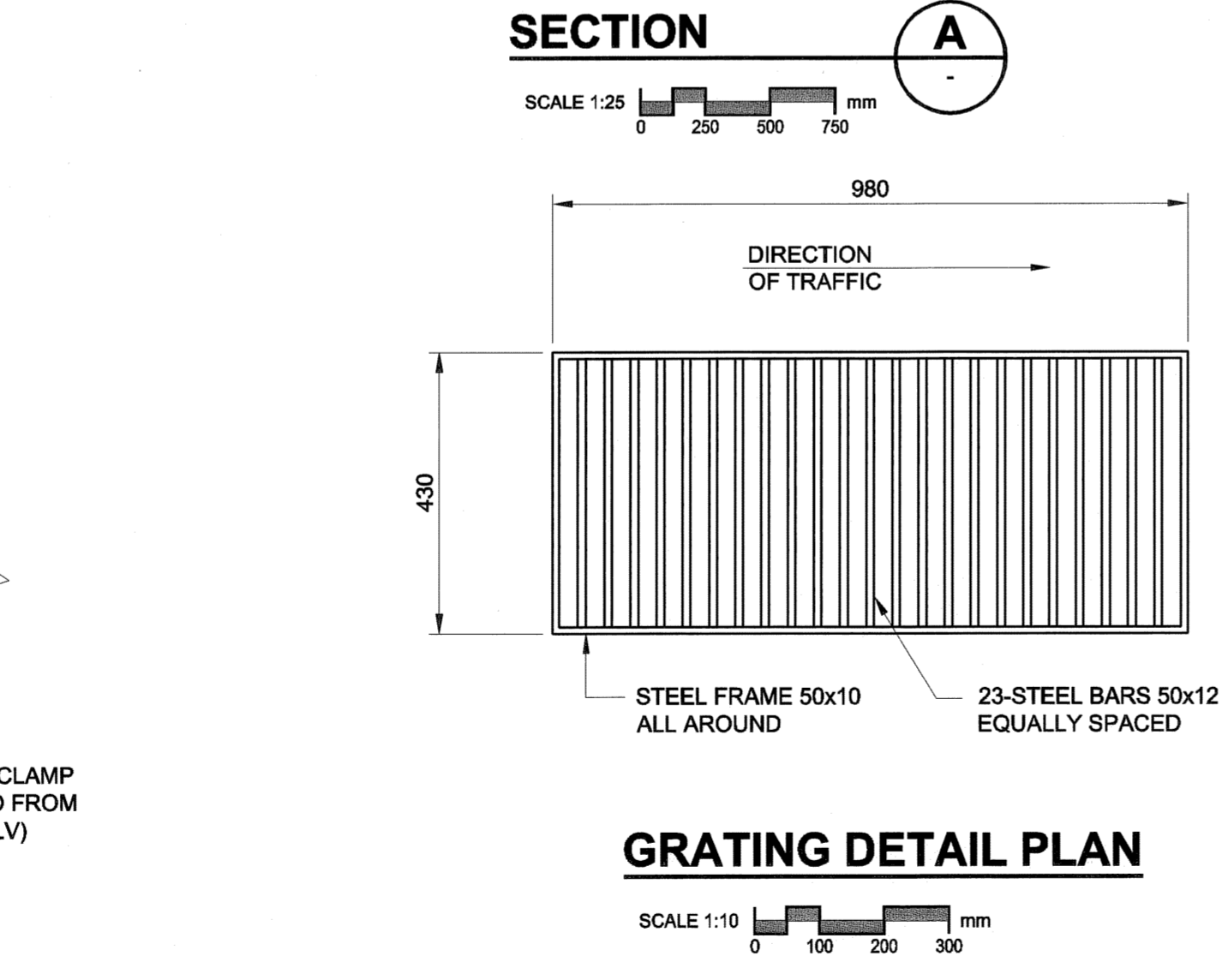
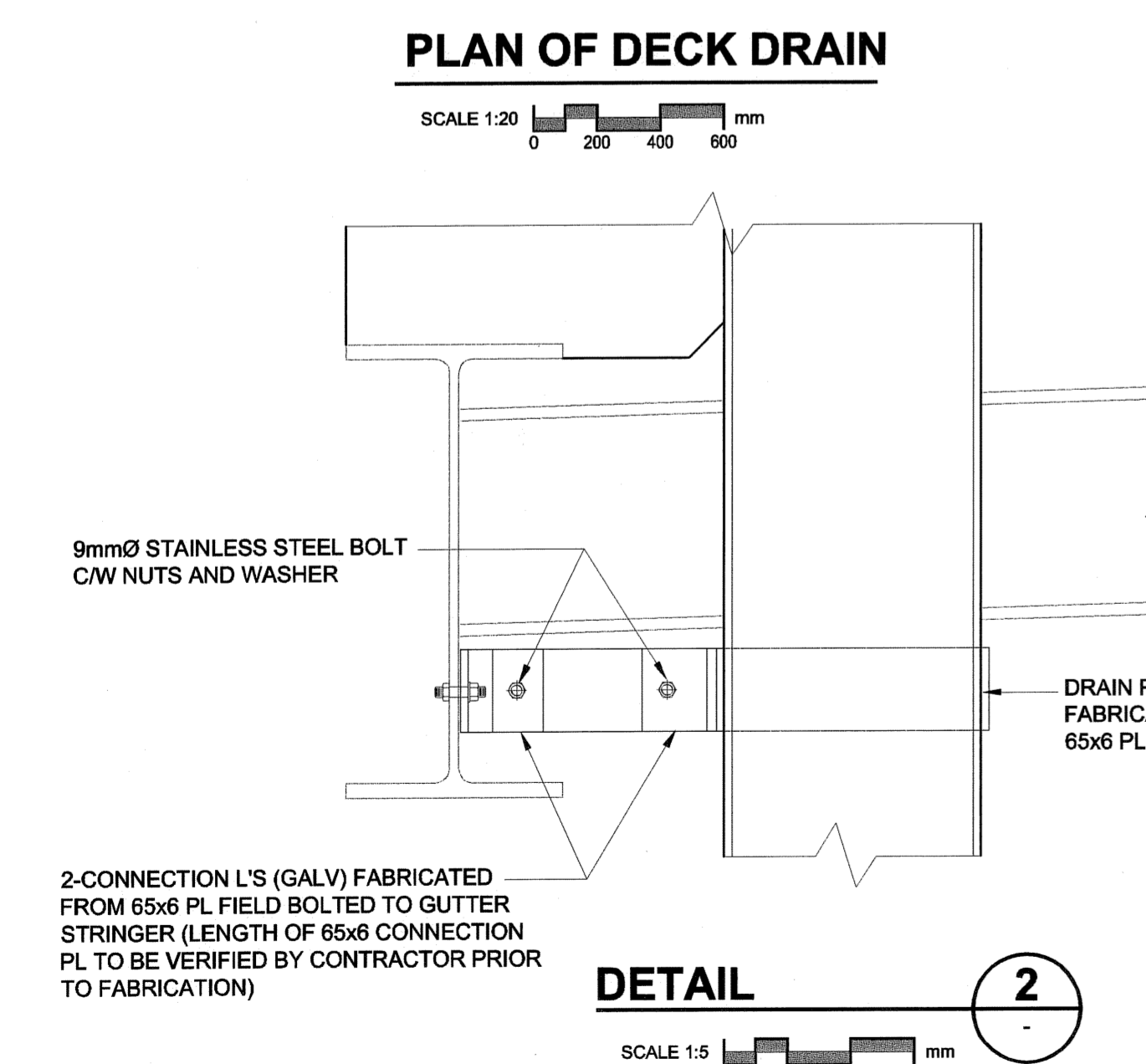
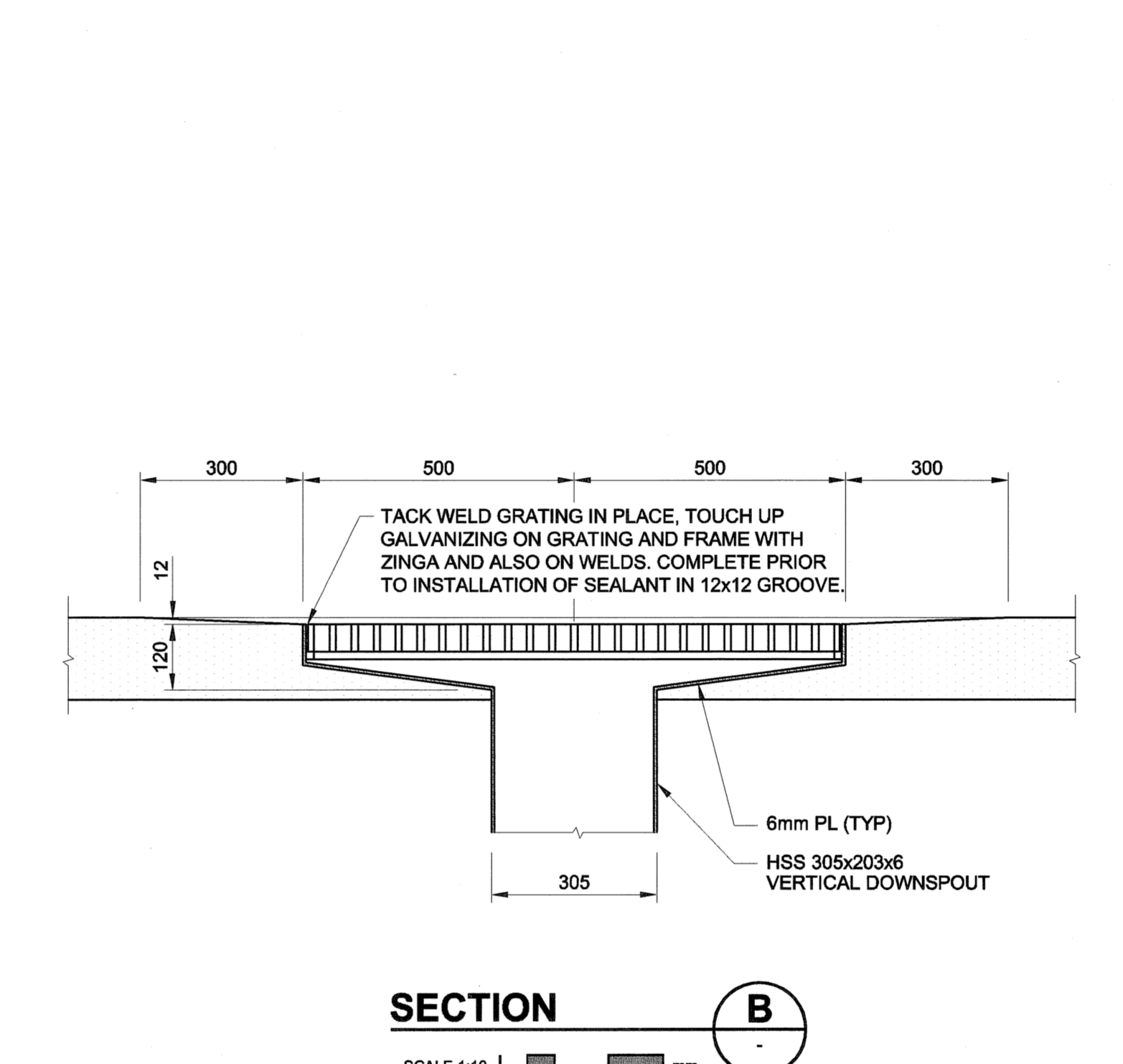
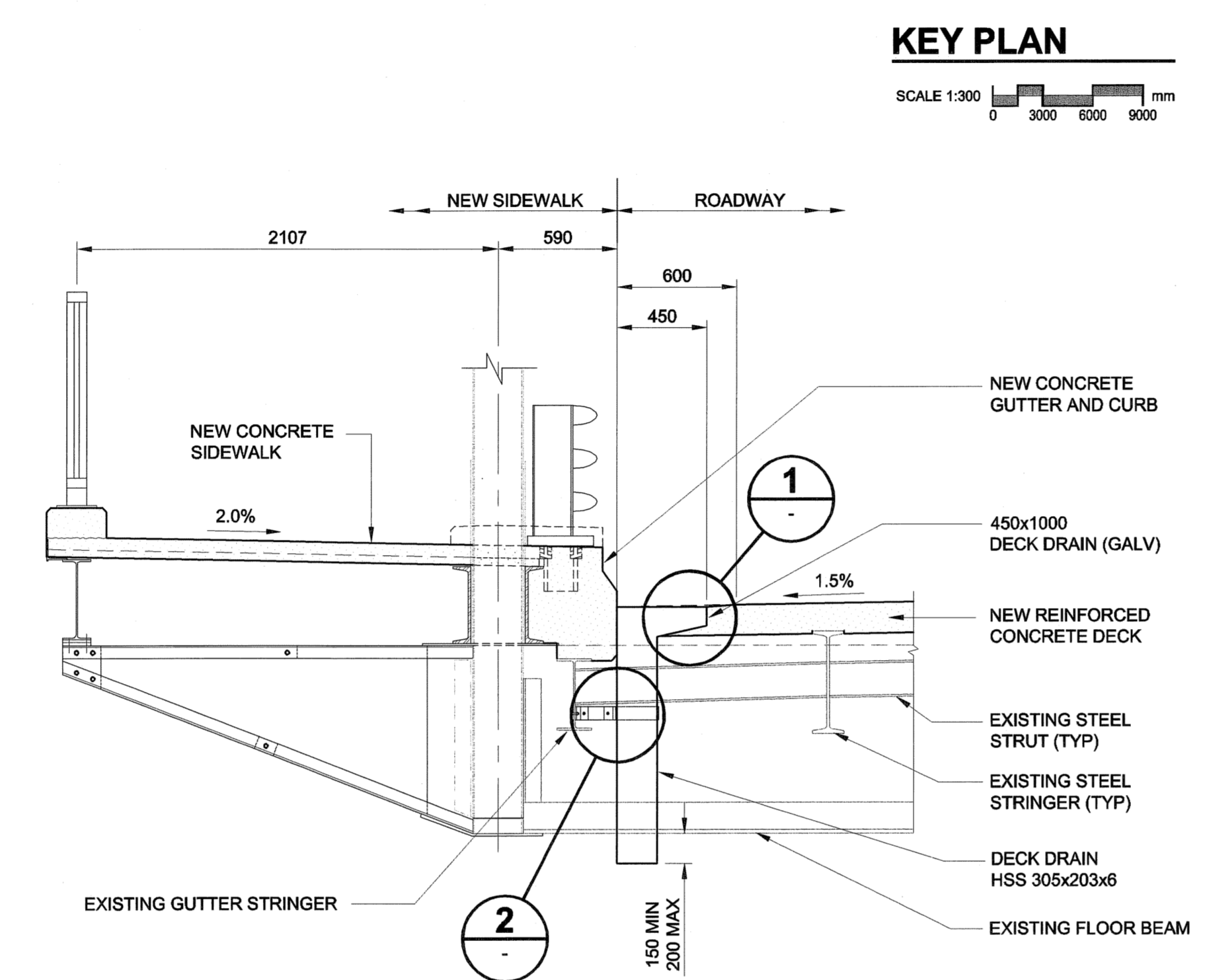
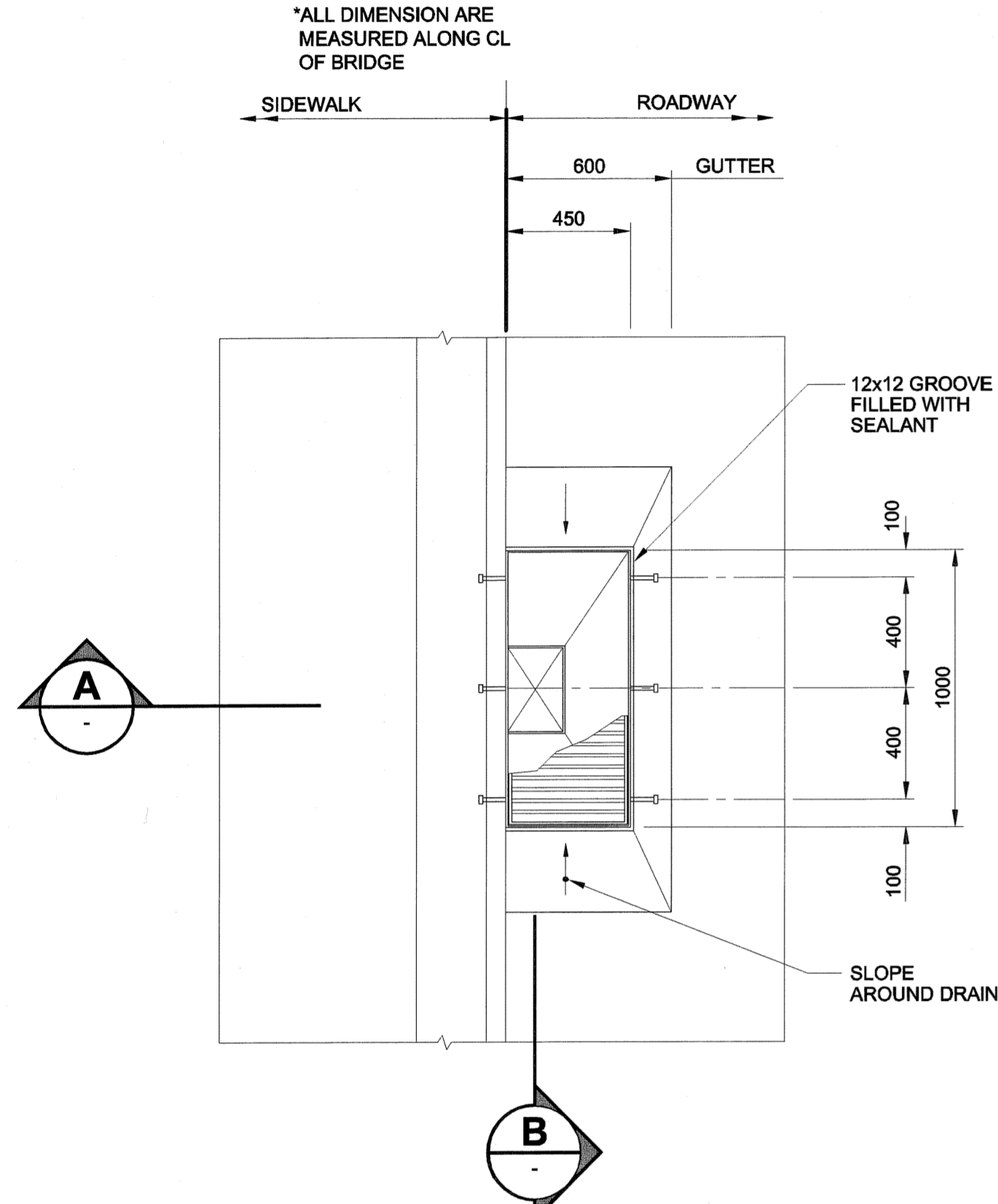


D SIZE 22" x 34" (559mm x 864mm)

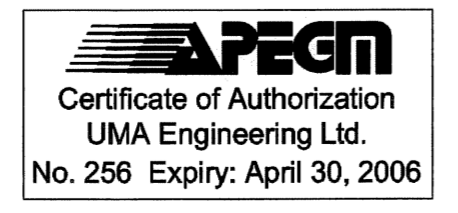


- DRAWING NOTES**
- SHOP DRAWINGS SHALL BE SUBMITTED TO THE CONTRACT ADMINISTRATOR FOR APPROVAL AT LEAST FOURTEEN (14) WORKING DAYS PRIOR TO FABRICATION.
  - DECK DRAINS SHALL BE FABRICATED FROM STEEL CONFORMING TO THE REQUIREMENTS OF CSA STANDARD G40.21M, GRADE 300W.
  - DECK DRAINS AND CONNECTIONS SHALL BE HOT DIPPED GALVANIZED IN ACCORDANCE TO CSA STANDARD G164 TO A RETENTION OF 600g/m<sup>2</sup>. ALL GALVANIZING TO BE DONE AFTER FABRICATION.
  - ALL FASTENERS, WASHERS AND NUTS SHALL BE STAINLESS STEEL.
  - ALL AREAS OF DAMAGED GALVANIZING AND FIELD WELDING SHALL BE REPAIRED BY USING THE 'GALVALOY' PROCEDURE AS SPECIFIED.
  - SET TOP OF DECK DRAIN GRATING 12mm BELOW GUTTER ELEVATION.

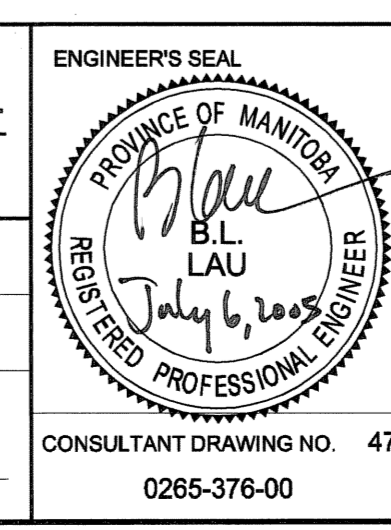


**NOTE:**  
ALL DIMENSIONS SHOWN ON THE DRAWINGS ARE BASED ON AVAILABLE INFORMATION AND RECORD DRAWINGS. THE CONTRACTOR SHALL FIELD MEASURE AND VERIFY ALL DIMENSIONS PRIOR TO COMMENCING CONSTRUCTION OR PRIOR TO PREPARATION OF SHOP DRAWINGS. THE CONTRACTOR SHALL MAKE THE APPROPRIATE ADJUSTMENTS TO THE APPLICABLE DETAILS AND DIMENSIONS ACCEPTABLE TO THE CONTRACT ADMINISTRATOR. THE CONTRACTOR SHALL THEN FABRICATE AND CONSTRUCT THE WORKS IN ACCORDANCE WITH THE CORRECTED DIMENSIONS.

**METRIC**  
WHOLE NUMBERS INDICATE MILLIMETRES  
DECIMALIZED NUMBERS INDICATE METRES



<b>UMA Engineering Ltd.</b> Consulting • Engineering • Construction • Management Services	
DESIGNED BY: BLL	CHECKED BY: SBB
DRAWN BY: VK	APPROVED BY: <i>Buz</i>
HOR. SCALE: AS SHOWN	ACCEPTED BY: <i>Paul</i>
VERT. SCALE: AS SHOWN	DATE: 2005-07-02
NO. REVISIONS	YYMMDD BY



**THE CITY OF WINNIPEG PUBLIC WORKS DEPARTMENT**

**REDWOOD BRIDGE REHABILITATIVE MAINTENANCE AND RELATED WORKS**

**DECK DRAIN SECTIONS AND DETAILS**

CITY DRAWING NUMBER B113-05-47  
SHEET 47 OF 74  
REV 47 0

Bid Opportunity No. 257-2005