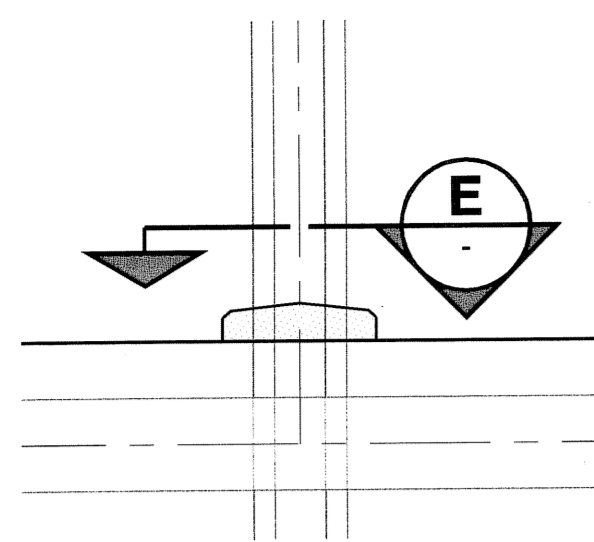


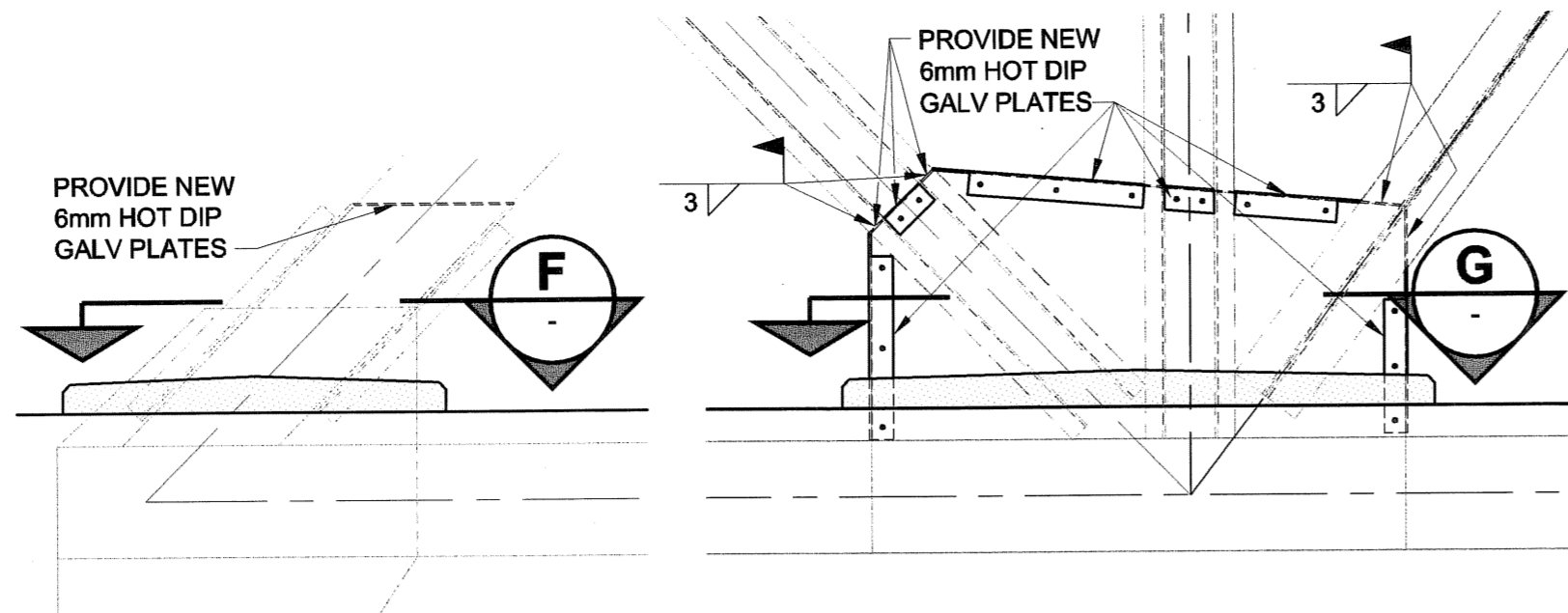
D SIZE 22" x 34" (559mm x 864mm)



SPAN 1 PARTIAL SOUTH ELEVATION

SCALE 1:25 0 250 500 750 mm

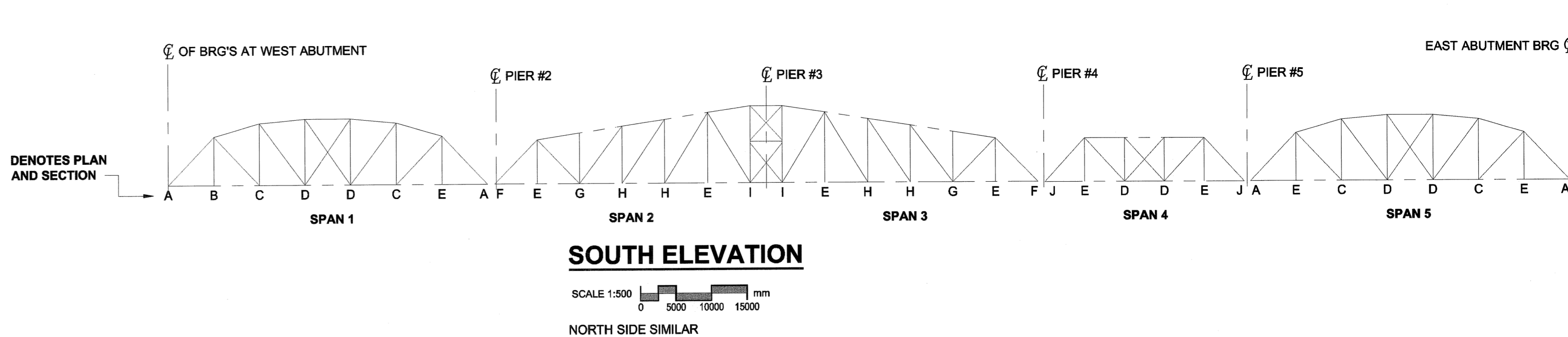
EAST SIDE OF SPAN 1
TYPICAL
SEE SOUTH ELEVATION



SPAN 2 PARTIAL SOUTH ELEVATION

SCALE 1:25 0 250 500 750 mm

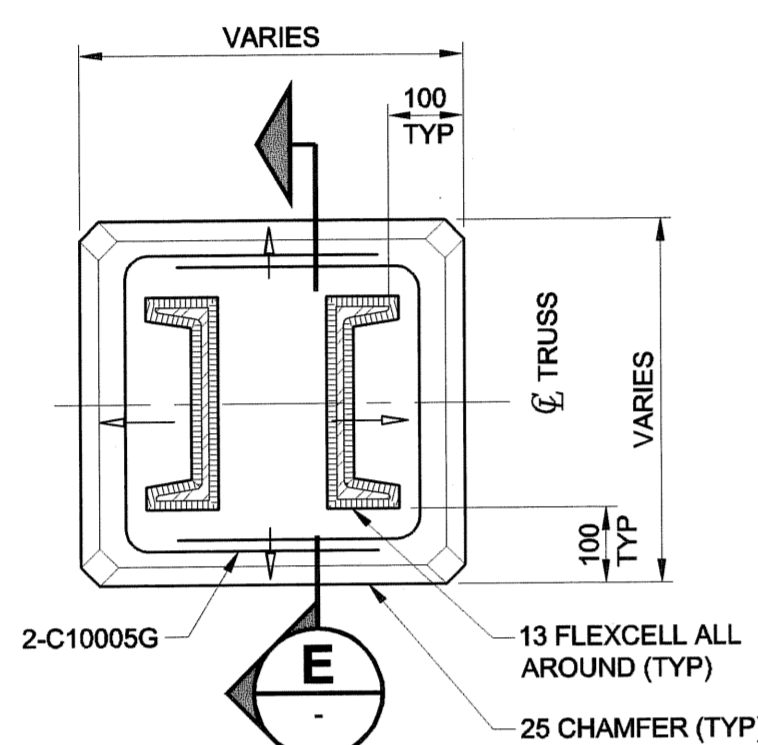
SPAN 3 TYPICAL OPPOSITE HAND
SEE SOUTH ELEVATION



SOUTH ELEVATION

SCALE 1:500 0 5000 10000 15000 mm

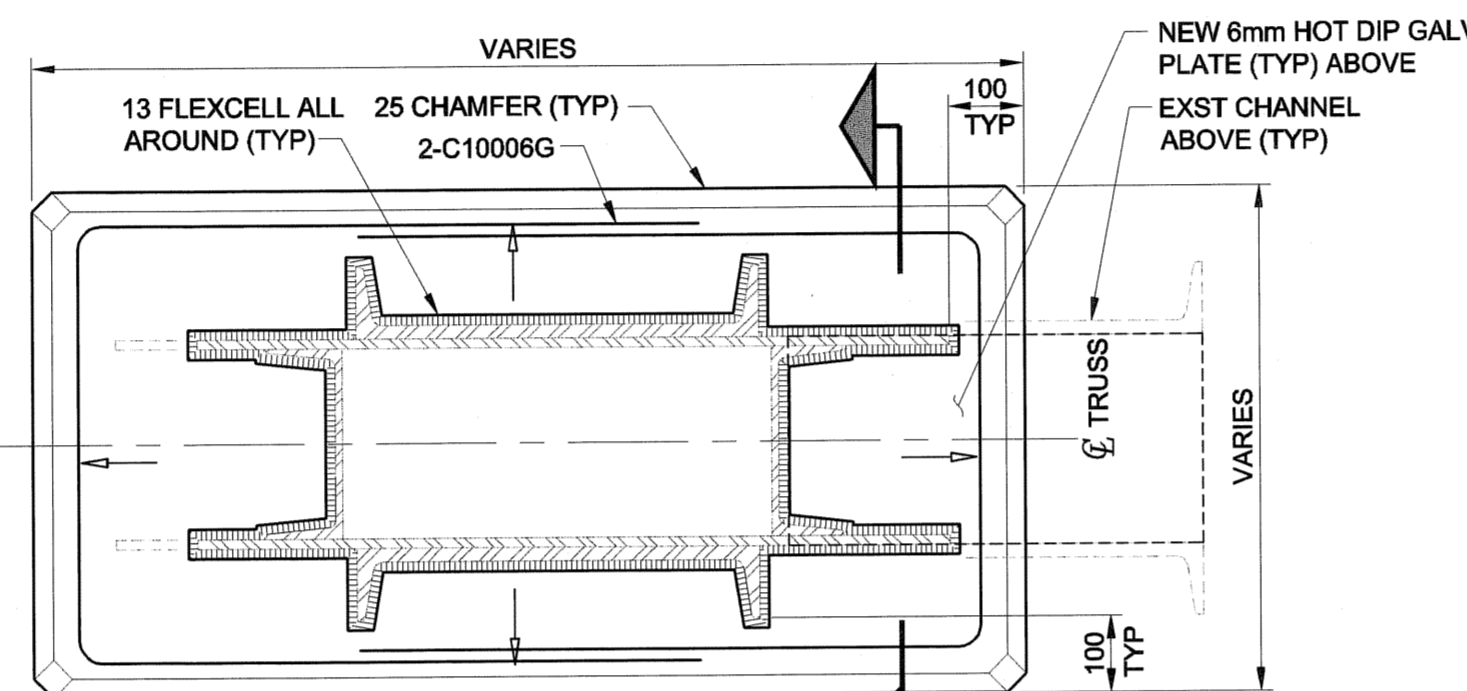
NORTH SIDE SIMILAR



PLAN

SCALE 1:10 0 100 200 300 mm

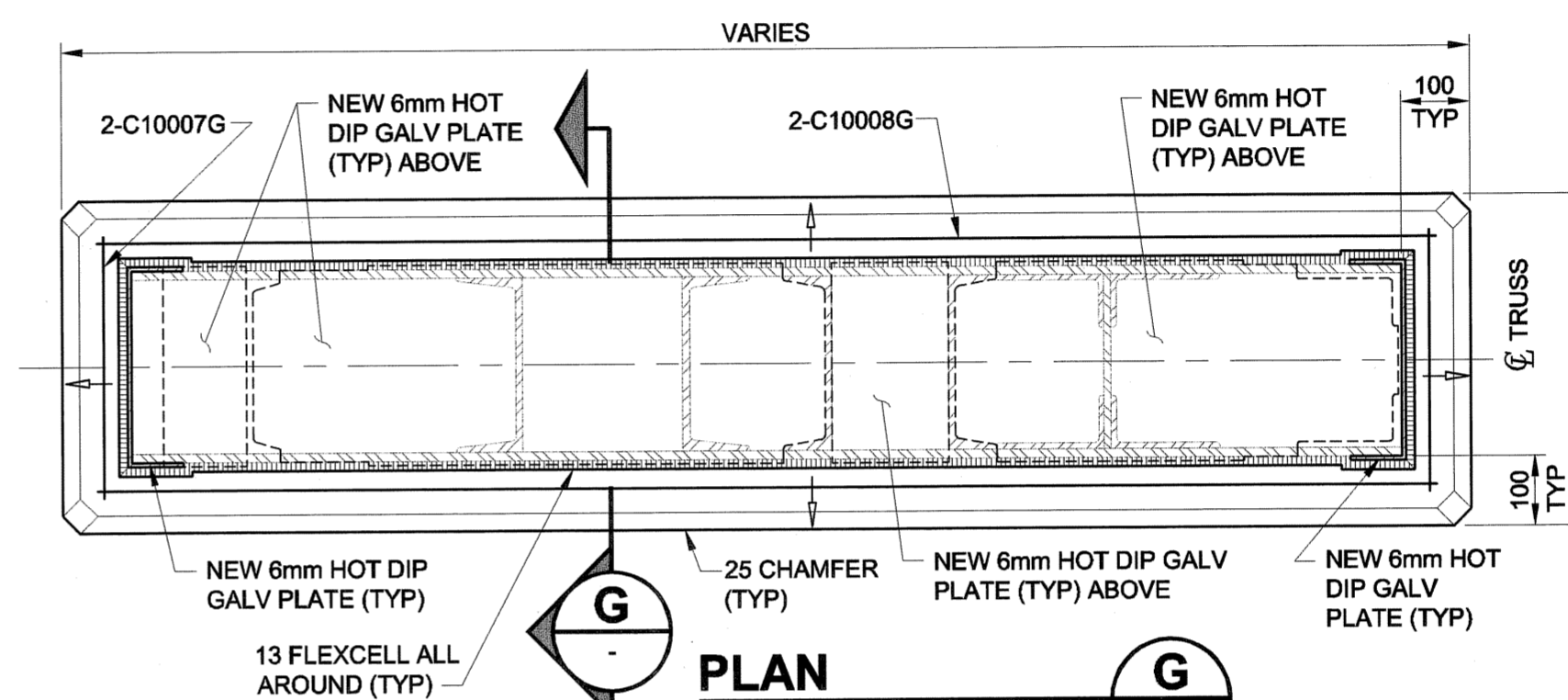
18 LOCATIONS



PLAN

SCALE 1:10 0 100 200 300 mm

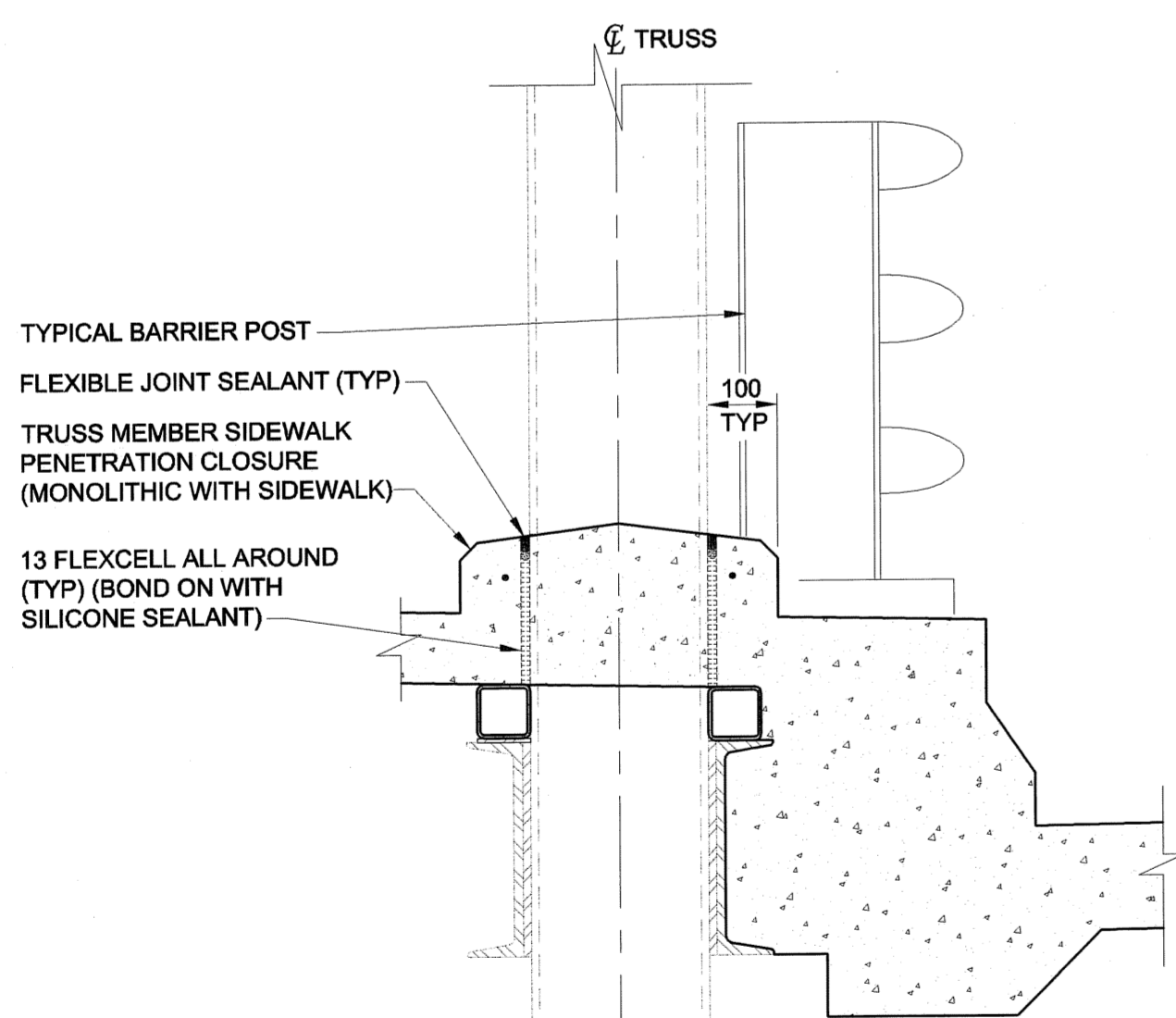
4 LOCATIONS



PLAN

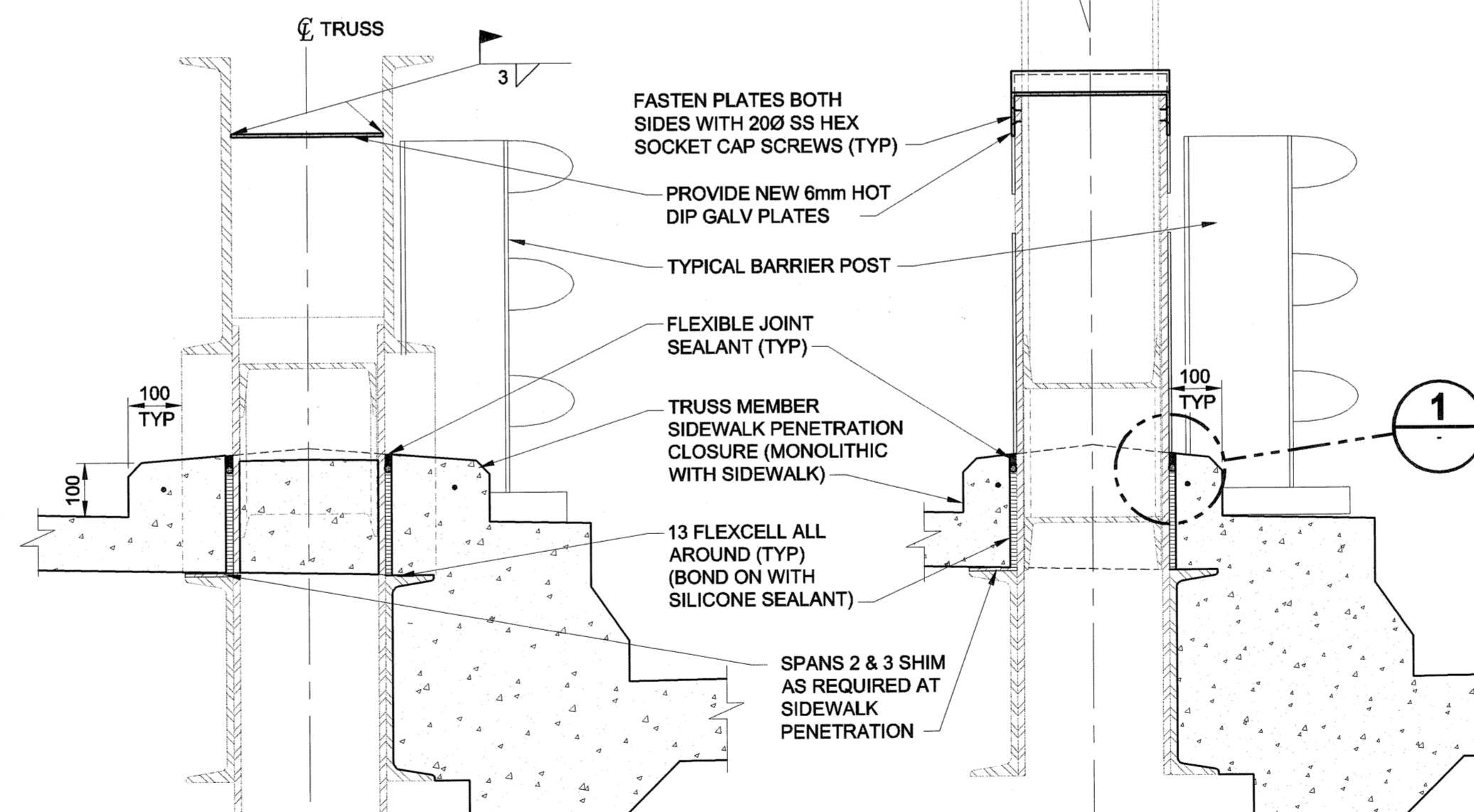
SCALE 1:10 0 100 200 300 mm

4 LOCATIONS



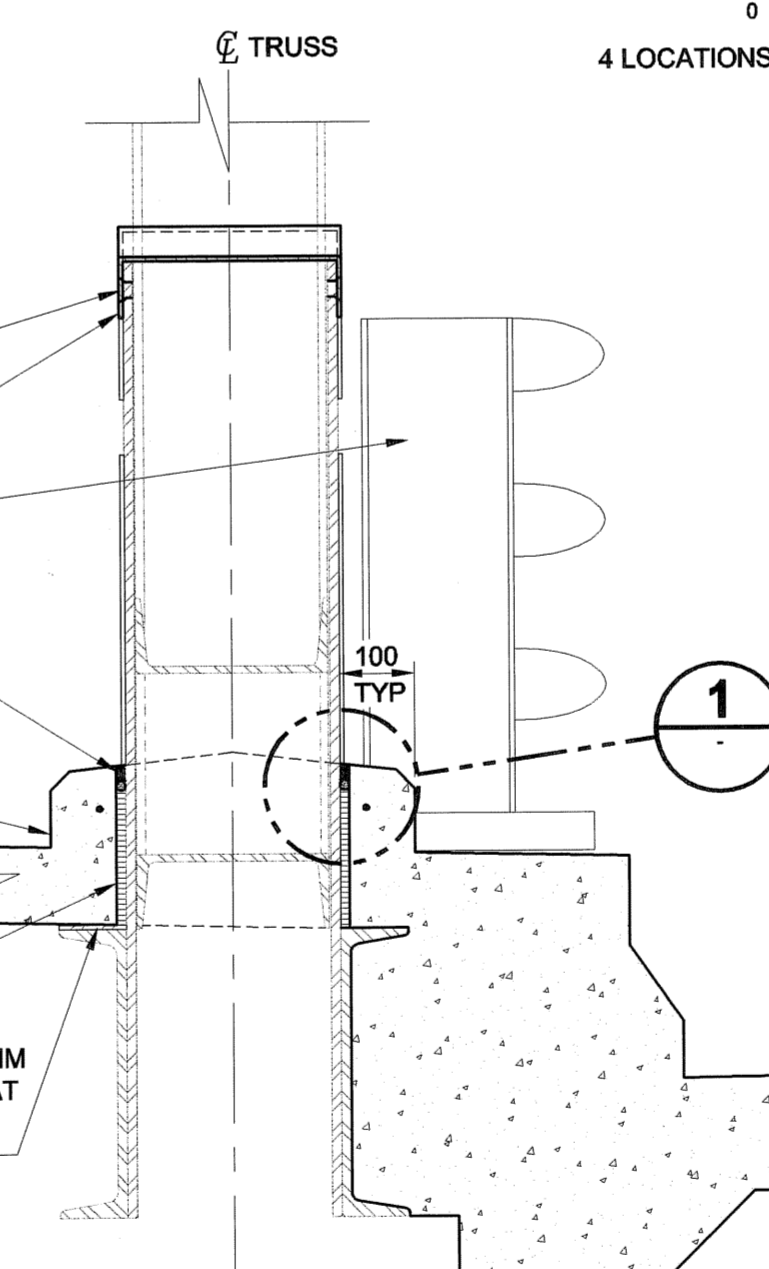
SECTION

SCALE 1:10 0 100 200 300 mm



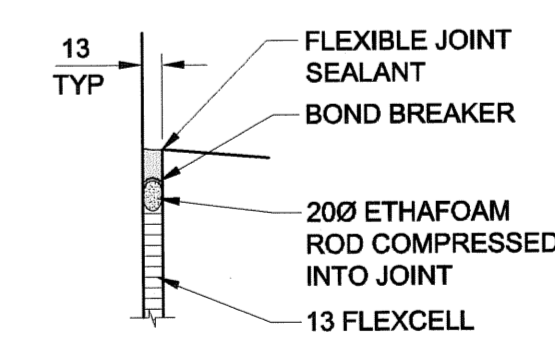
SECTION

SCALE 1:10 0 100 200 300 mm



SECTION

SCALE 1:10 0 100 200 300 mm



DETAIL

SCALE 1:5 0 50 100 150 mm

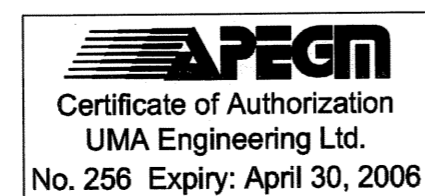
TYPICAL

SEE DRAWING 44 FOR NOTES

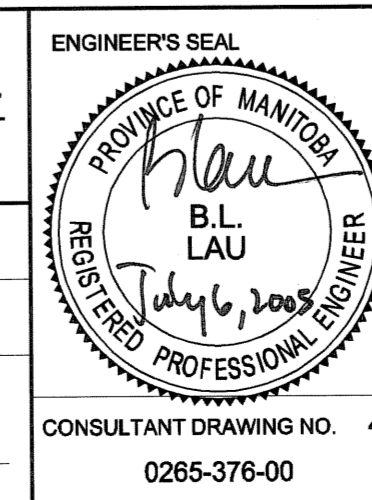
NOTE:

ALL DIMENSIONS SHOWN ON THE DRAWINGS ARE BASED ON AVAILABLE INFORMATION AND RECORD DRAWINGS. THE CONTRACTOR SHALL FIELD MEASURE AND VERIFY ALL DIMENSIONS PRIOR TO COMMENCING CONSTRUCTION OR PRIOR TO PREPARATION OF SHOP DRAWINGS. THE CONTRACTOR SHALL MAKE THE APPROPRIATE ADJUSTMENTS TO THE APPLICABLE DETAILS AND DIMENSIONS ACCEPTABLE TO THE CONTRACT ADMINISTRATOR. THE CONTRACTOR SHALL THEN FABRICATE AND CONSTRUCT THE WORKS IN ACCORDANCE WITH THE CORRECTED DIMENSIONS.

METRIC
WHOLE NUMBERS INDICATE MILLIMETRES
DECIMALIZED NUMBERS INDICATE METRES



UMA UMA Engineering Ltd. * Consulting * Engineering * Construction * Management Services	
DESIGNED BY: BLL	CHECKED BY: SBB
DRAWN BY: CGC	APPROVED BY: <i>B.S.B.</i>
HOR. SCALE: AS SHOWN	ACCEPTED BY: <i>[Signature]</i>
VERT. SCALE: AS SHOWN	DATE: 2005 07 07
0 ISSUED FOR CONSTRUCTION 05/07/05 MP	
NO. REVISIONS	YY/MM/DD BY



THE CITY OF WINNIPEG PUBLIC WORKS DEPARTMENT

REDWOOD BRIDGE REHABILITATIVE MAINTENANCE AND RELATED WORKS

SIDEWALK PENETRATION CLOSURE DETAILS II

CITY DRAWING NUMBER: B113-05-45
SHEET 45 OF 74
REV 45 0

Bid Opportunity No. 257-2005