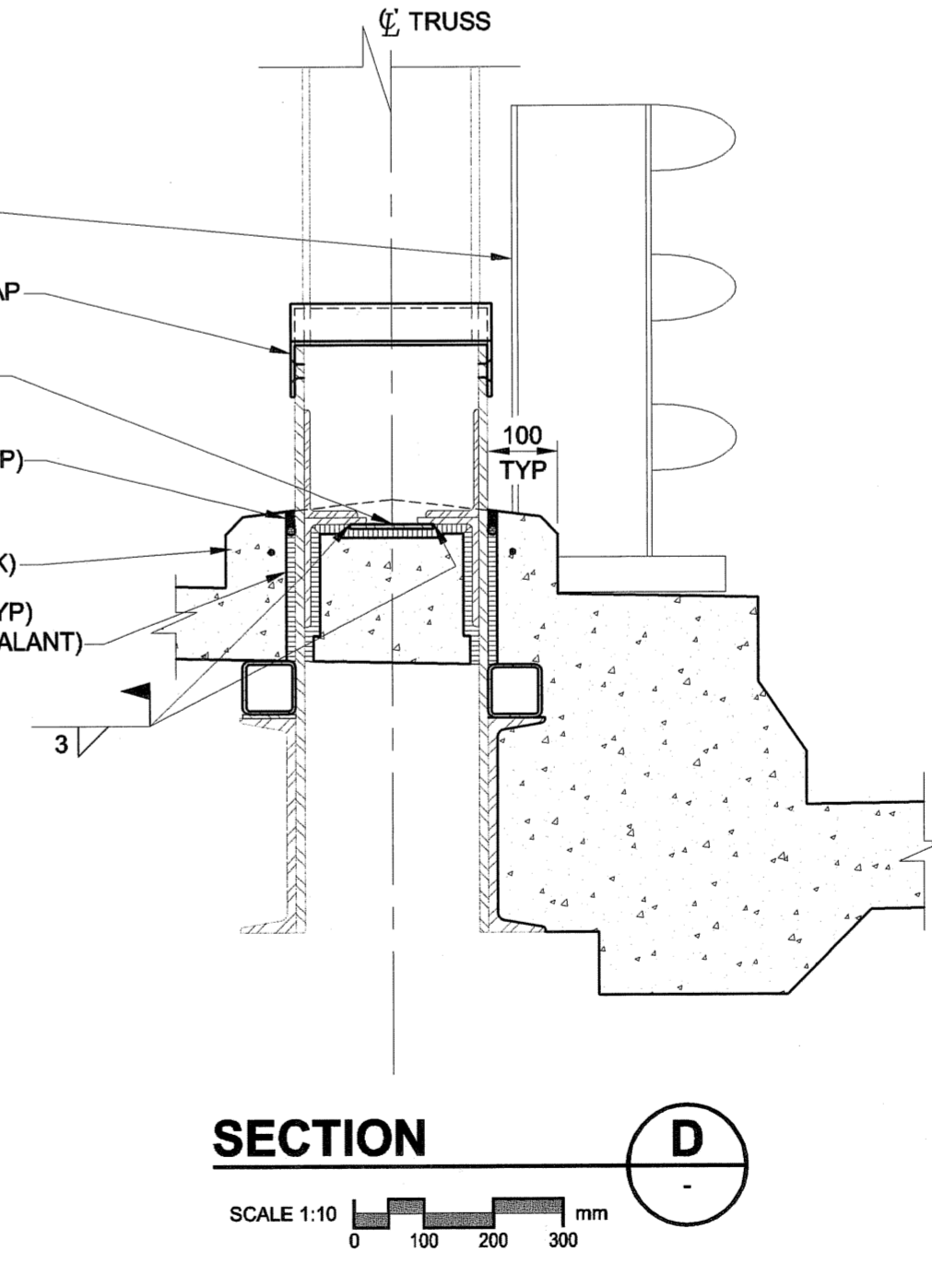
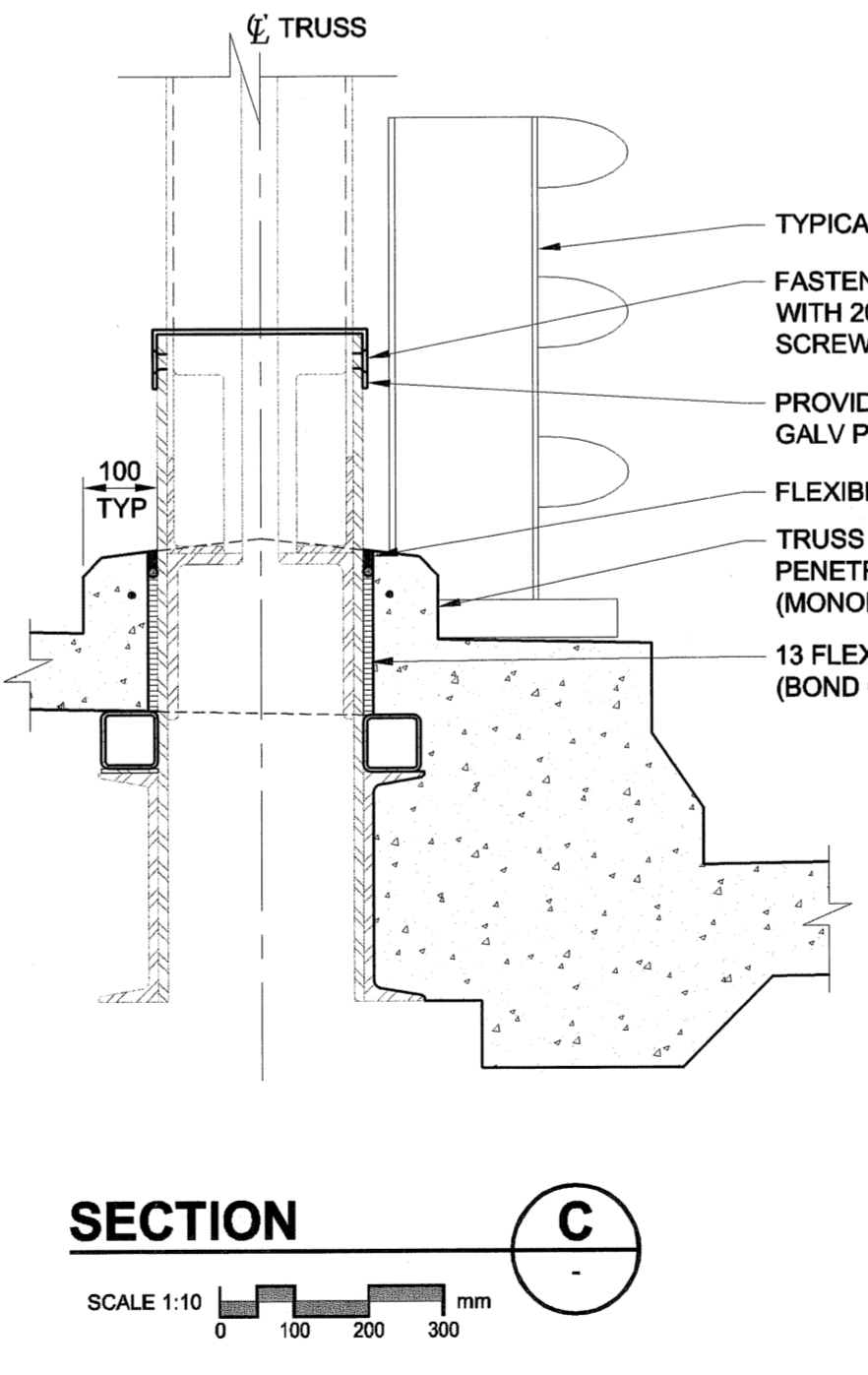
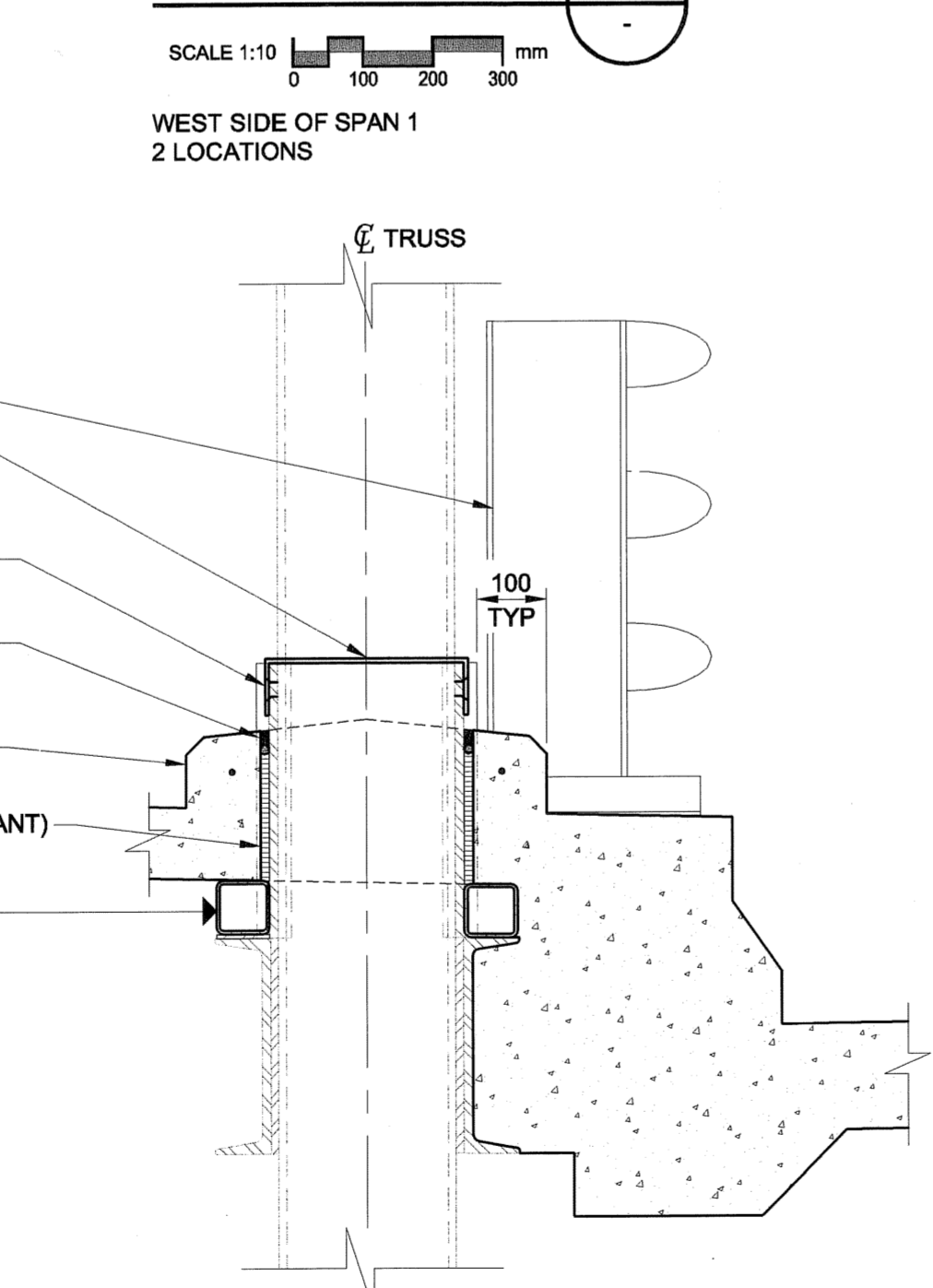
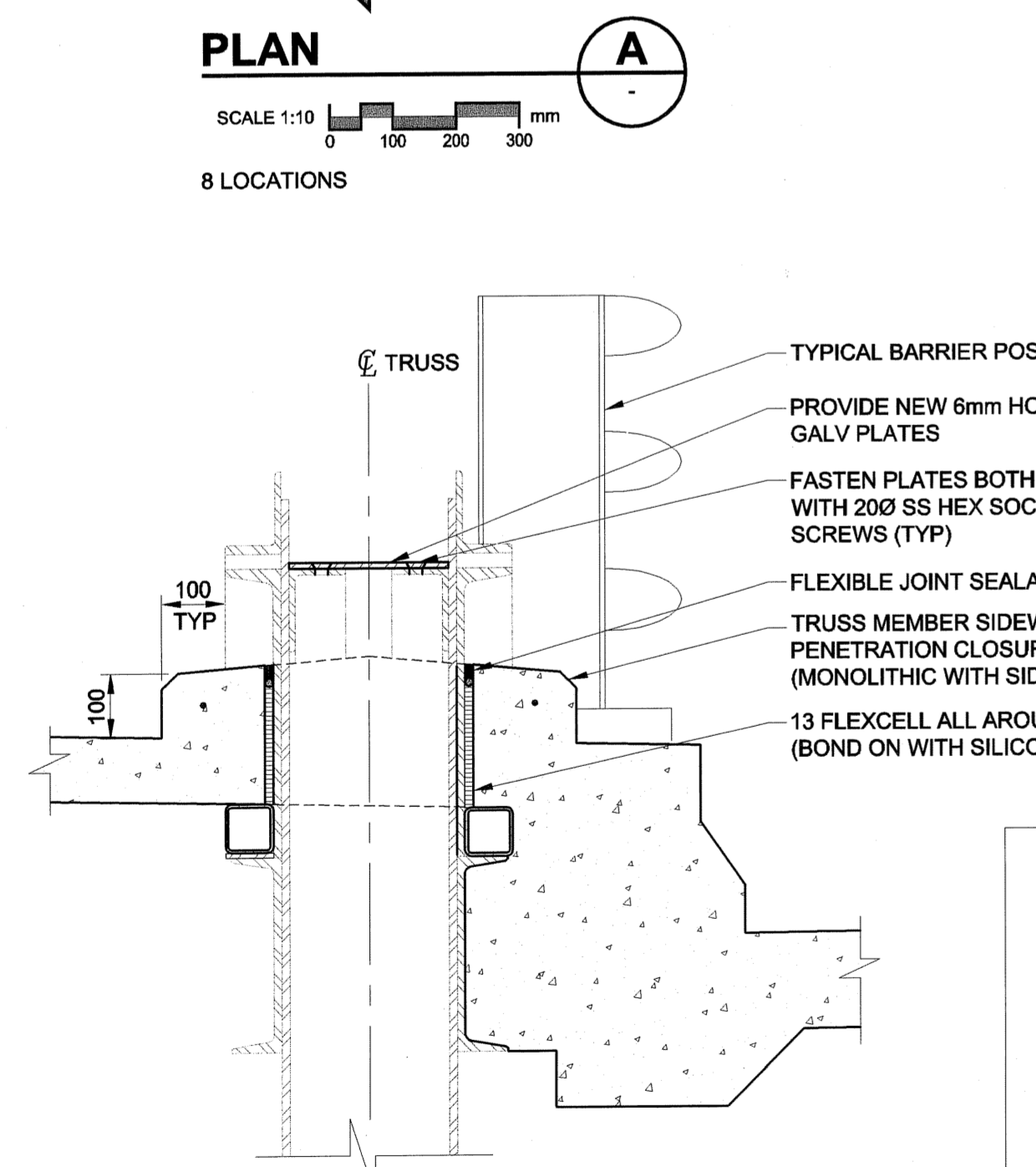
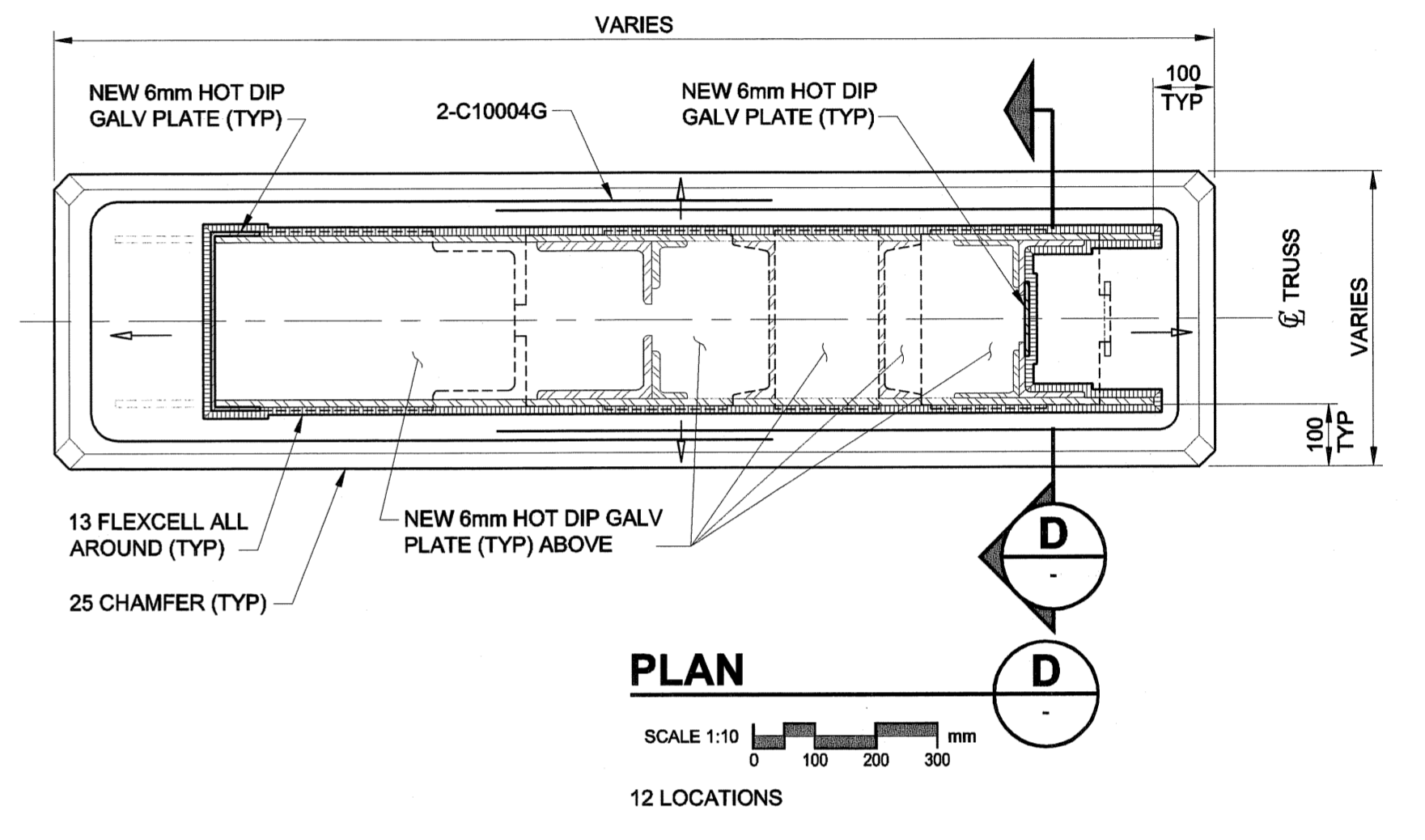
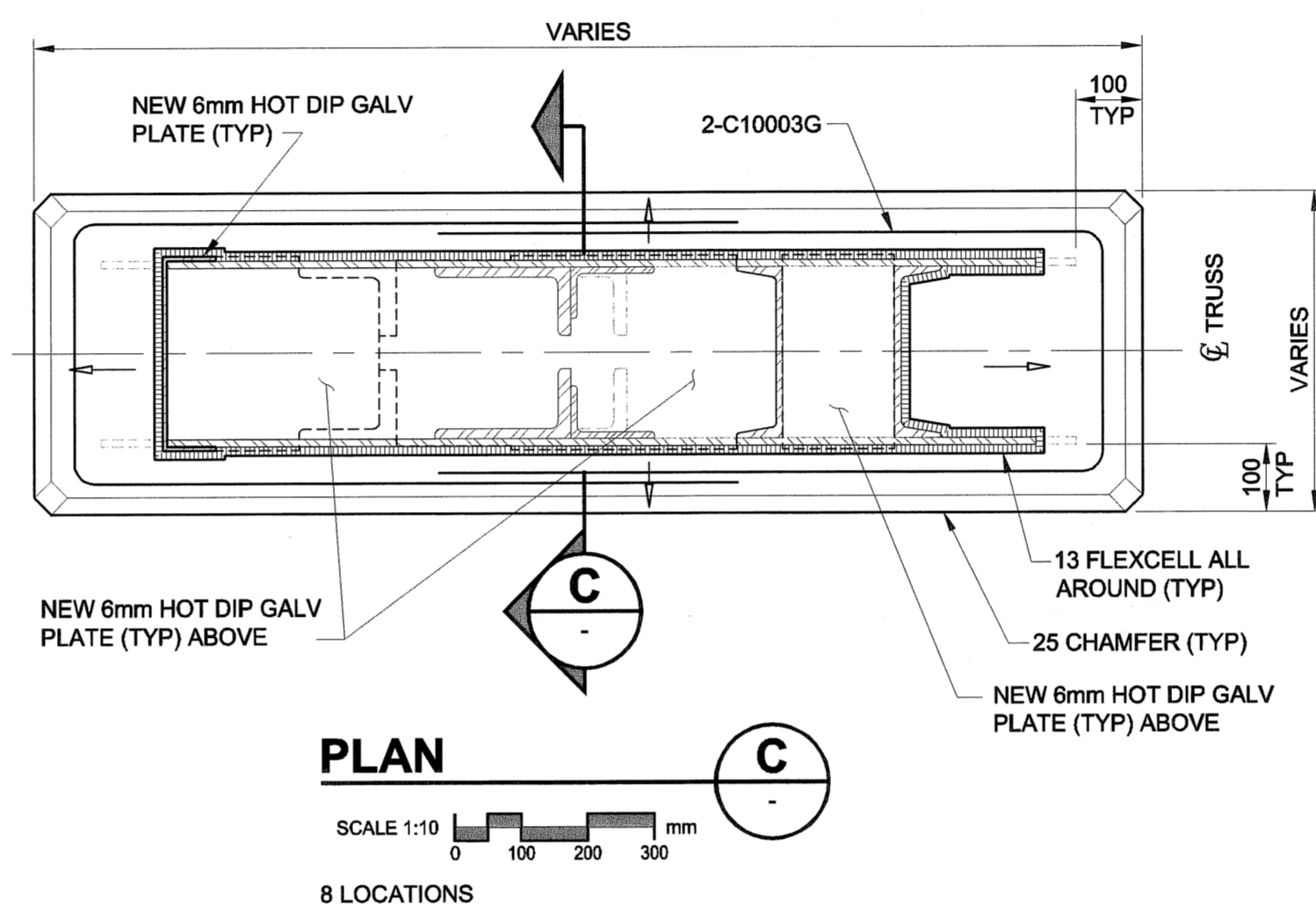
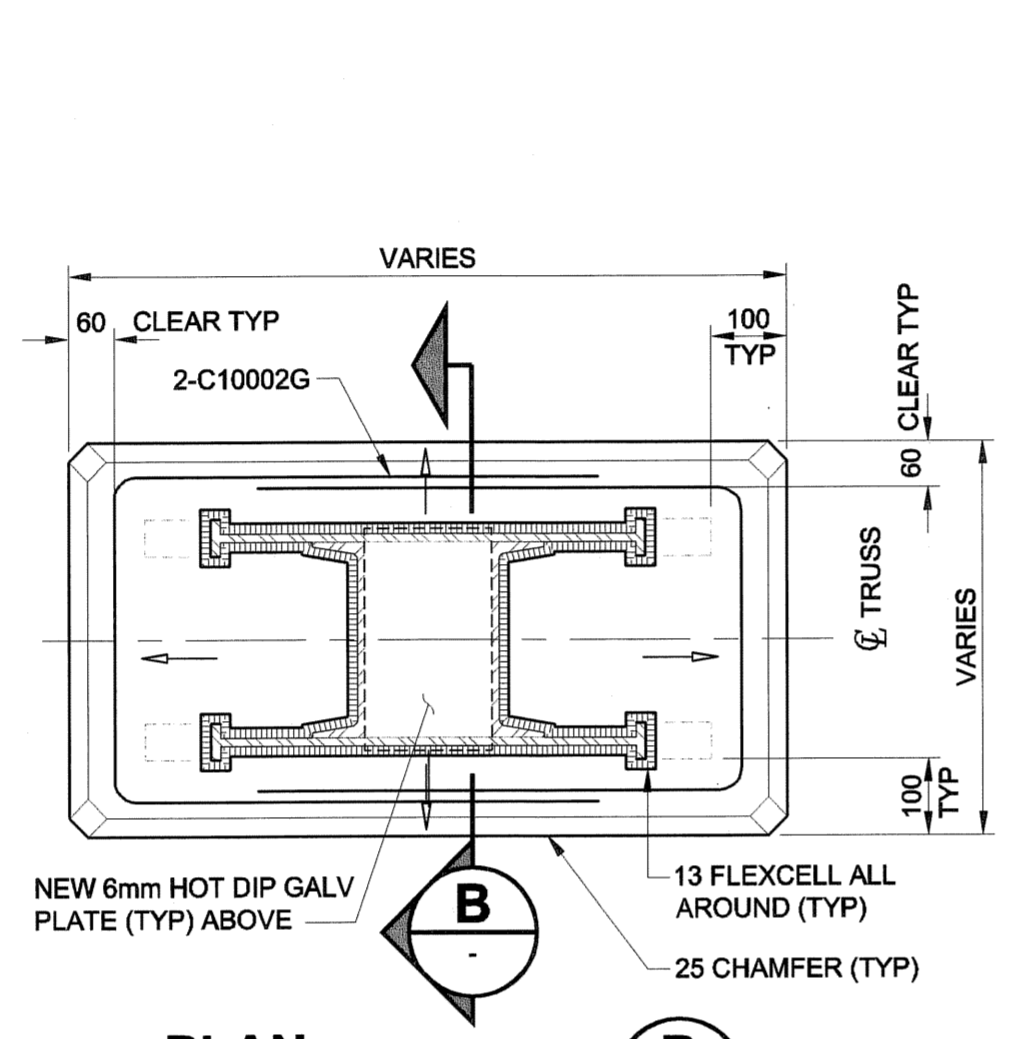
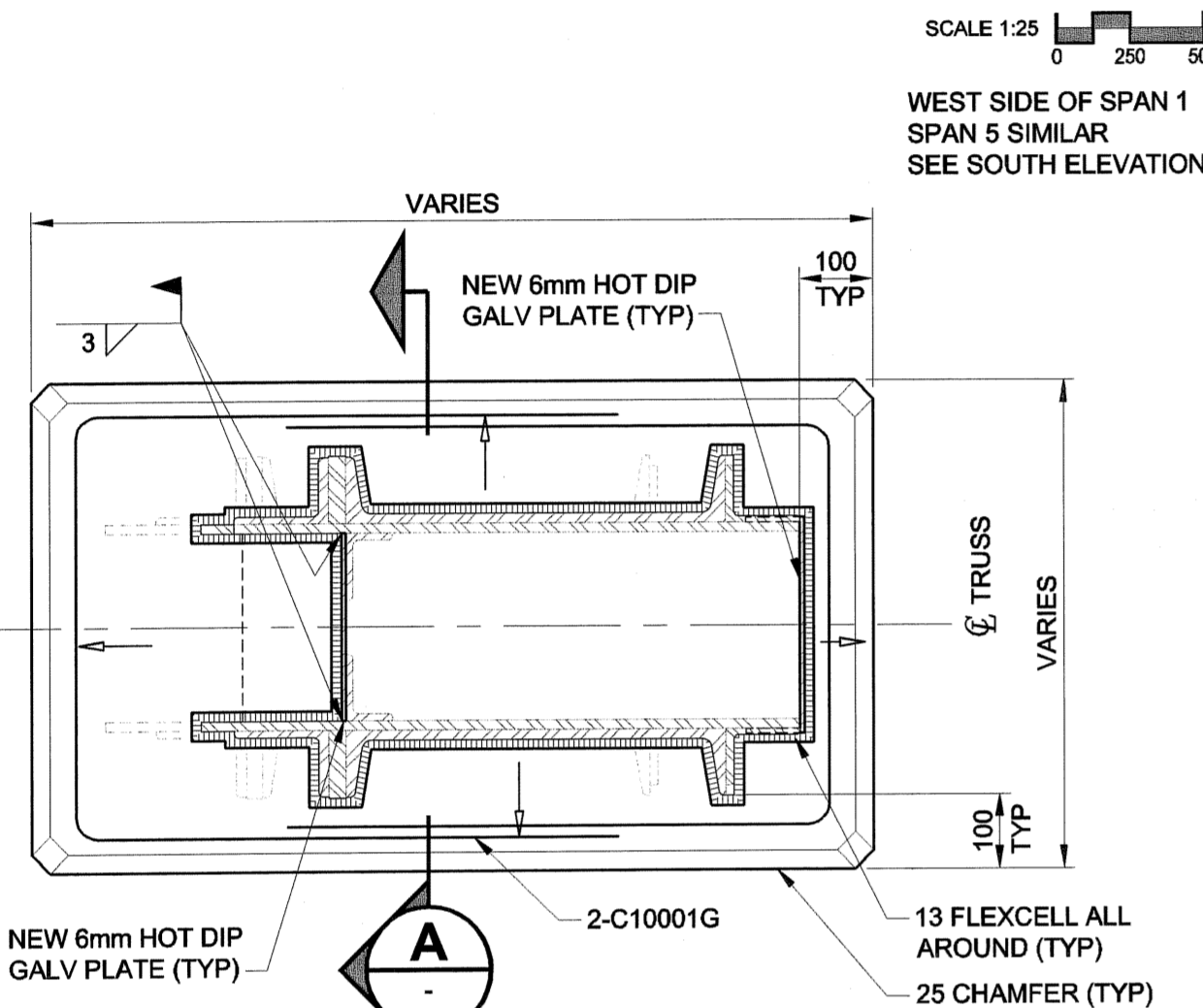


SPAN 1 PARTIAL SOUTH ELEVATION



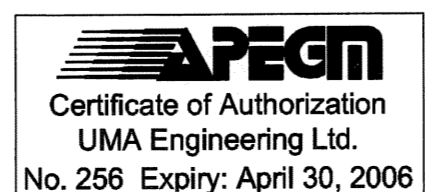
- DRAWING NOTES**
1. PLANS SHOWN DO NOT REFLECT ADDITIONAL STEEL ADDED FOR STRUCTURAL REHABILITATION.
 2. WHERE REQUIRED REPLACE EXISTING BRACING OR LATTICE WORK WITH 10mm PLATE FROM UNDERSIDE OF SIDEWALK TO 100mm ABOVE NEW CONCRETE LEVEL. USE 20mmØ BOLTS AT EXISTING RIVET HOLE LOCATIONS, SEAL ALL AROUND.
 3. ALL PENETRATIONS MUST BE COMPLETELY SEALED AT UPSTAND LEVEL TO PREVENT WATER SEAPAGE TO UNDERSIDE OF SIDEWALK.

NOTE:
ALL DIMENSIONS SHOWN ON THE DRAWINGS ARE BASED ON AVAILABLE INFORMATION AND RECORD DRAWINGS. THE CONTRACTOR SHALL FIELD MEASURE AND VERIFY ALL DIMENSIONS PRIOR TO COMMENCING CONSTRUCTION OR PRIOR TO PREPARATION OF SHOP DRAWINGS. THE CONTRACTOR SHALL MAKE THE APPROPRIATE ADJUSTMENTS TO THE APPLICABLE DETAILS AND DIMENSIONS ACCEPTABLE TO THE CONTRACT ADMINISTRATOR. THE CONTRACTOR SHALL THEN FABRICATE AND CONSTRUCT THE WORKS IN ACCORDANCE WITH THE CORRECTED DIMENSIONS.

Bid Opportunity No. 257-2005

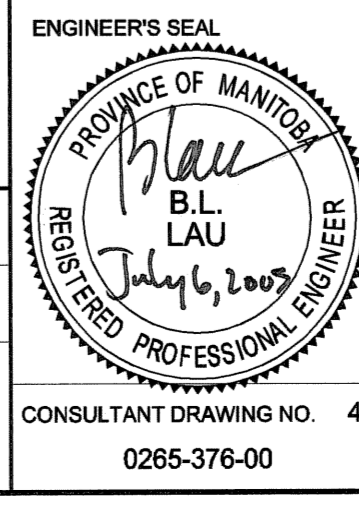
METRIC
WHOLE NUMBERS INDICATE MILLIMETRES
DECIMALIZED NUMBERS INDICATE METRES

SIZE	LOCATION
HSS 83.5X83.5X6.35 AND SHIMS AT SIDEWALK PENETRATIONS AS REQUIRED TYPICAL	SPAN 1, SPAN 5
HSS 127x83.5X6.35 AND SHIMS AT SIDEWALK PENETRATIONS AS REQUIRED TYPICAL	SPAN 4
SHIMS AS REQUIRED AT SIDEWALK PENETRATIONS TYPICAL	SPAN 2, SPAN 3



NO.	REVISIONS	DATE	BY
0	ISSUED FOR CONSTRUCTION	05/07/05	MP
		YYMMDD	

UMA Engineering Ltd. Consulting • Engineering • Construction • Management Services	
DESIGNED BY: BLL	CHECKED BY: SBB
DRAWN BY: CGC	APPROVED BY: BUB
HOR. SCALE: AS SHOWN	ACCEPTED BY: [Signature]
VERT. SCALE: AS SHOWN	DATE: 2005/07/07



THE CITY OF WINNIPEG PUBLIC WORKS DEPARTMENT

REDWOOD BRIDGE REHABILITATIVE MAINTENANCE AND RELATED WORKS

SIDEWALK PENETRATION CLOSURE DETAILS I

CITY DRAWING NUMBER B113-05-44	REV 0
SHEET 44	OF 74