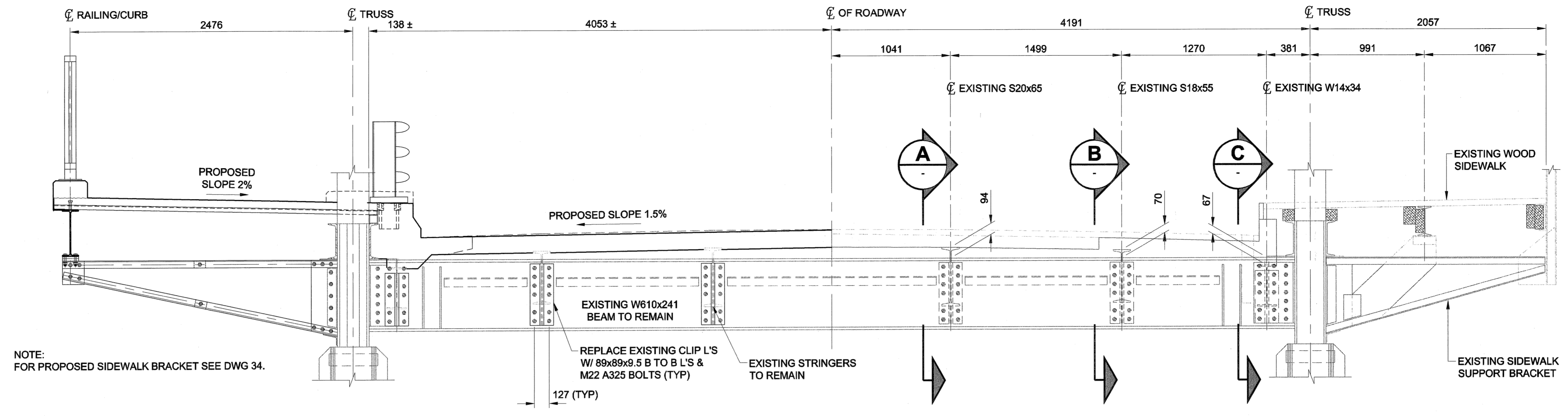


D SIZE 22" x 34" (559mm x 864mm)



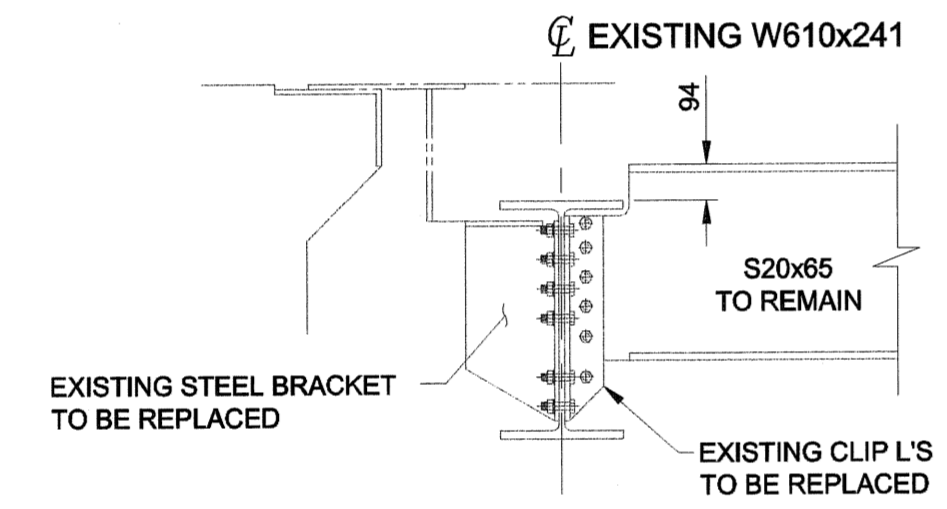
NOTE:
FOR PROPOSED SIDEWALK BRACKET SEE DWG 34.

PROPOSED

SECTION G
SCALE 1:25

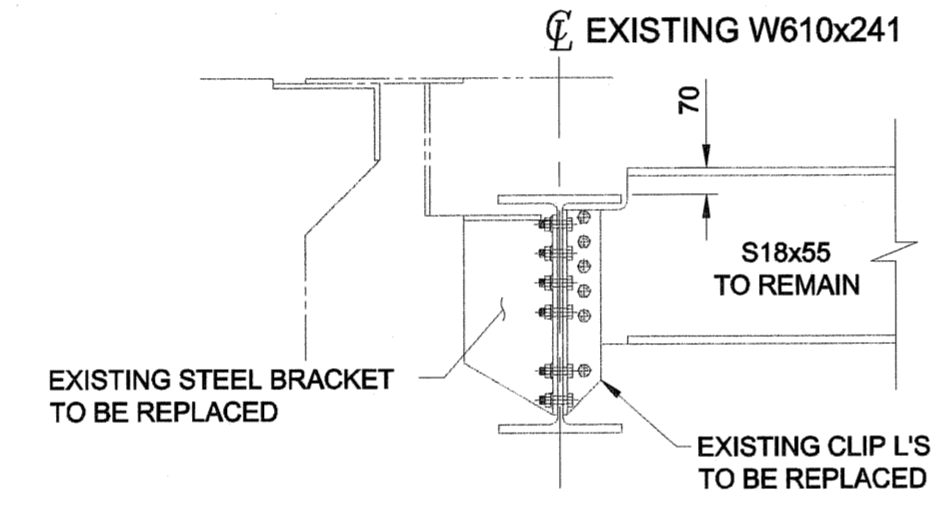
EXISTING

SPAN 5
EAST END FLOOR BEAM @ EAST ABUTMENT



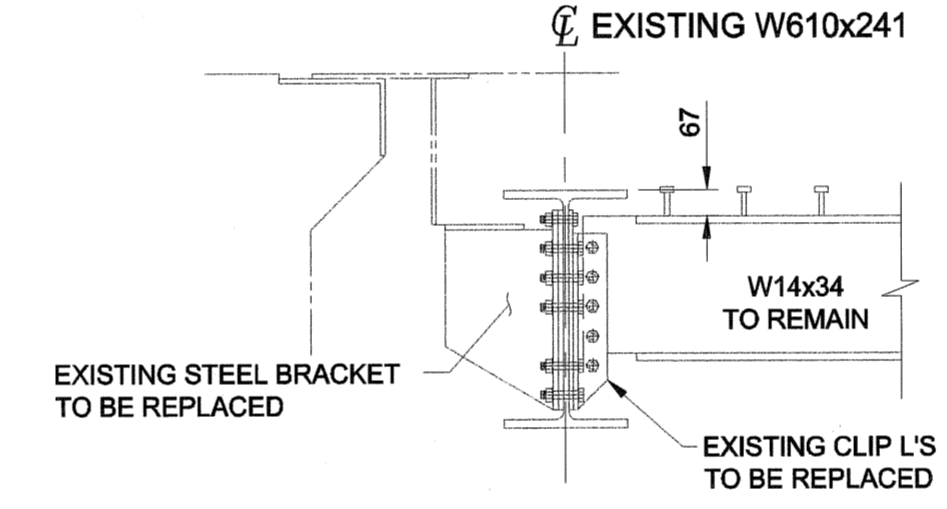
SECTION A
SCALE 1:20

EXISTING



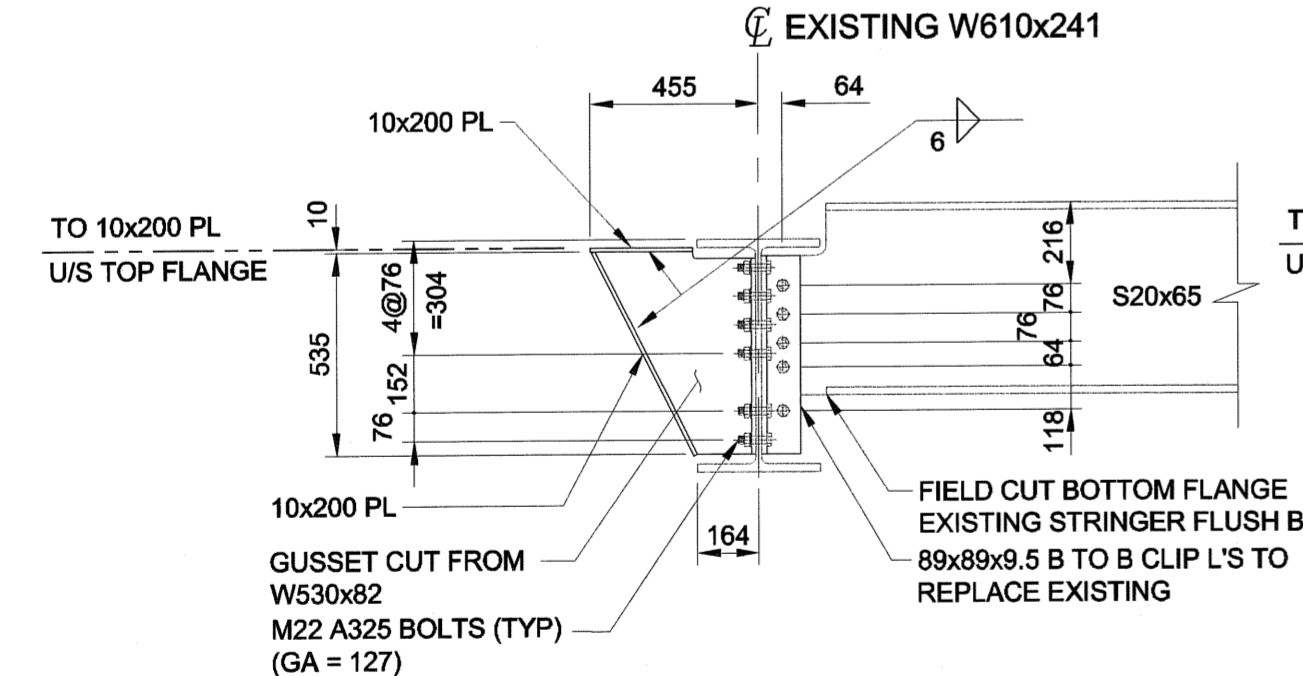
SECTION B
SCALE 1:20

EXISTING



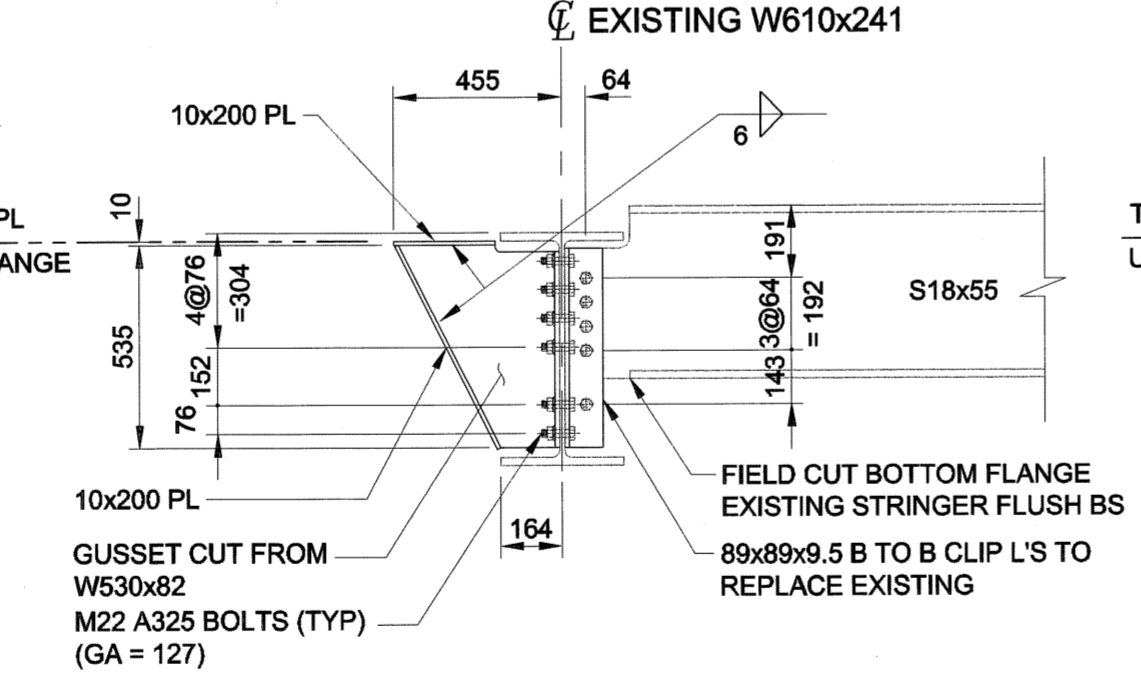
SECTION C
SCALE 1:20

EXISTING



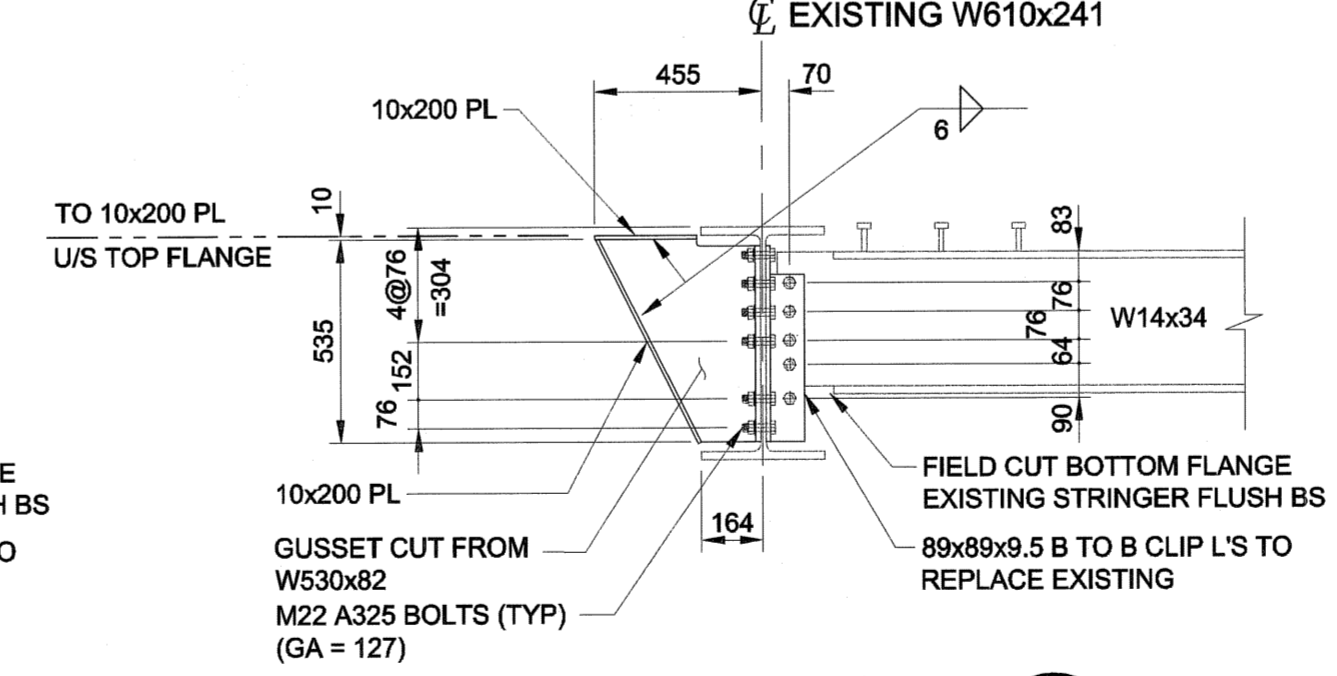
SECTION A
SCALE 1:20

PROPOSED



SECTION B
SCALE 1:20

PROPOSED

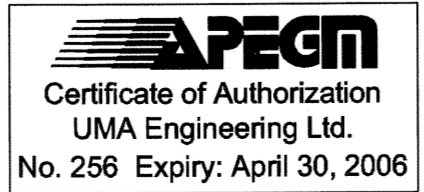


SECTION C
SCALE 1:20

PROPOSED

NOTE:
ALL DIMENSIONS SHOWN ON THE DRAWINGS ARE BASED ON AVAILABLE INFORMATION AND RECORD DRAWINGS. THE CONTRACTOR SHALL FIELD MEASURE AND VERIFY ALL DIMENSIONS PRIOR TO COMMENCING CONSTRUCTION OR PRIOR TO PREPARATION OF SHOP DRAWINGS. THE CONTRACTOR SHALL MAKE THE APPROPRIATE ADJUSTMENTS TO THE APPLICABLE DETAILS AND DIMENSIONS ACCEPTABLE TO THE CONTRACT ADMINISTRATOR. THE CONTRACTOR SHALL THEN FABRICATE AND CONSTRUCT THE WORKS IN ACCORDANCE WITH THE CORRECTED DIMENSIONS.

METRIC
WHOLE NUMBERS INDICATE MILLIMETRES
DECIMALIZED NUMBERS INDICATE METRES



DESIGNED BY	BL	CHECKED BY	SBB
DRAWN BY	JJA	APPROVED BY	<i>Bub</i>
HOR. SCALE	AS SHOWN	ACCEPTED BY	<i>Neil</i>
VERT. SCALE	AS SHOWN	DATE	2005-07-07
ISSUED FOR CONSTRUCTION	05/07/05	MP	
NO. REVISIONS	YYMMDD	BY	

THE CITY OF WINNIPEG PUBLIC WORKS DEPARTMENT

REDWOOD BRIDGE REHABILITATIVE MAINTENANCE AND RELATED WORKS

BRIDGE SECTION - SPAN 5 EAST END FLOOR BEAM DETAILS

CITY DRAWING NUMBER B113-05-32
SHEET 32 OF 74
REV 32 0

CONSULTANT DRAWING NO. 32
0285-376-00

Bid Opportunity No. 257-2005

PLOT SCALE 1:41
AutoCAD 15.06 P:\0285\355-03\AutoCAD\AS-1 Working Drawings\0285-355-03-01-S-0032.RXD.dwg 2005-08-20 2:35pm CCC