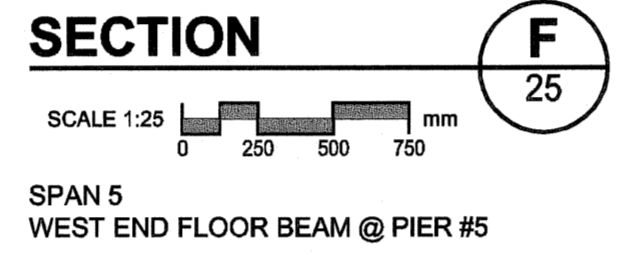


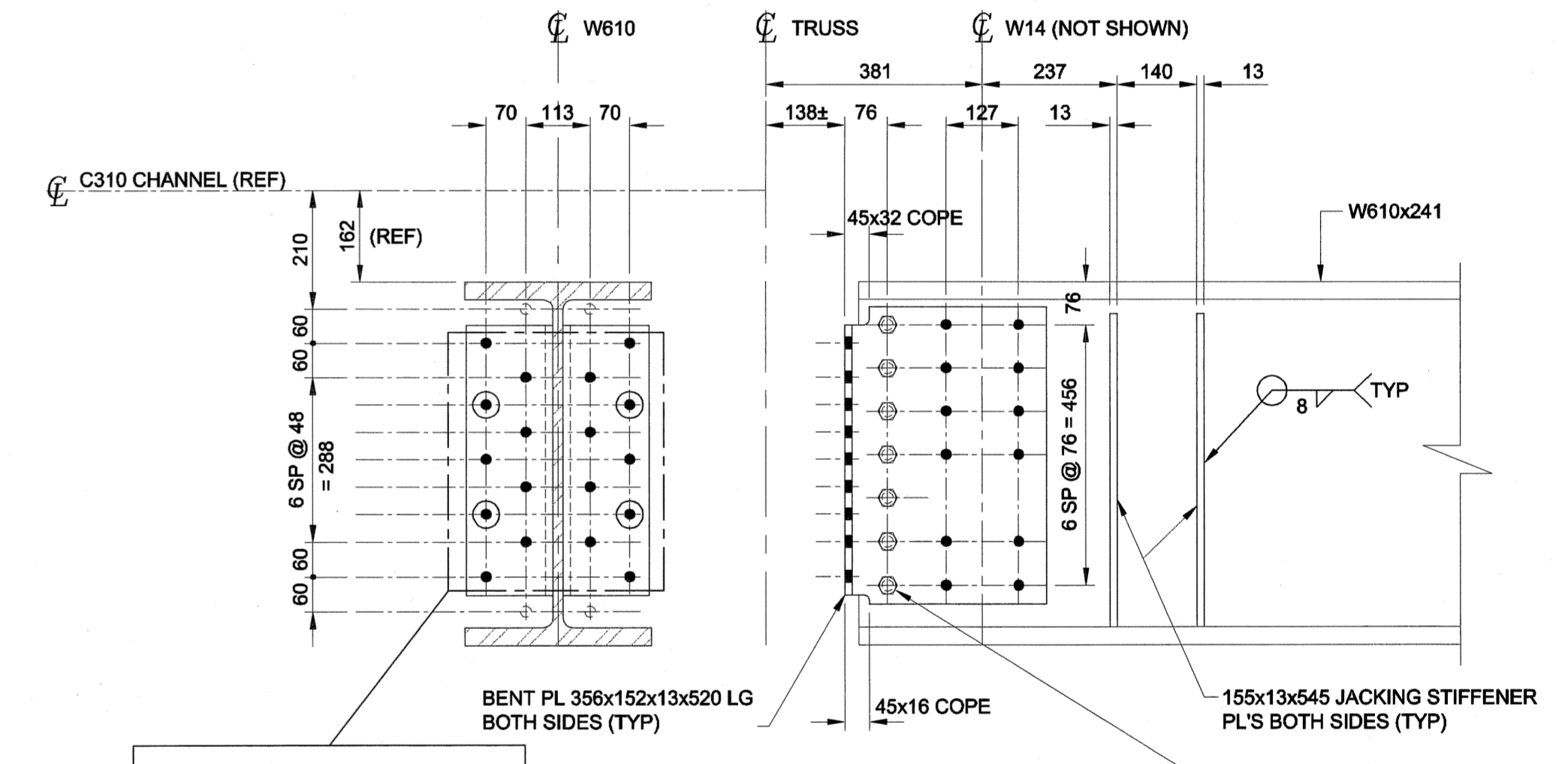
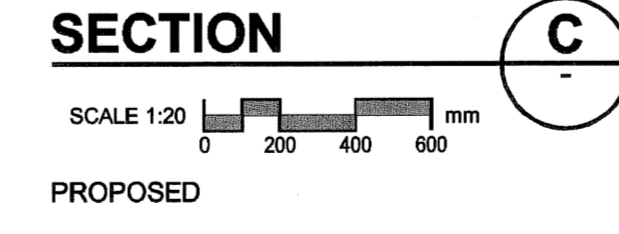
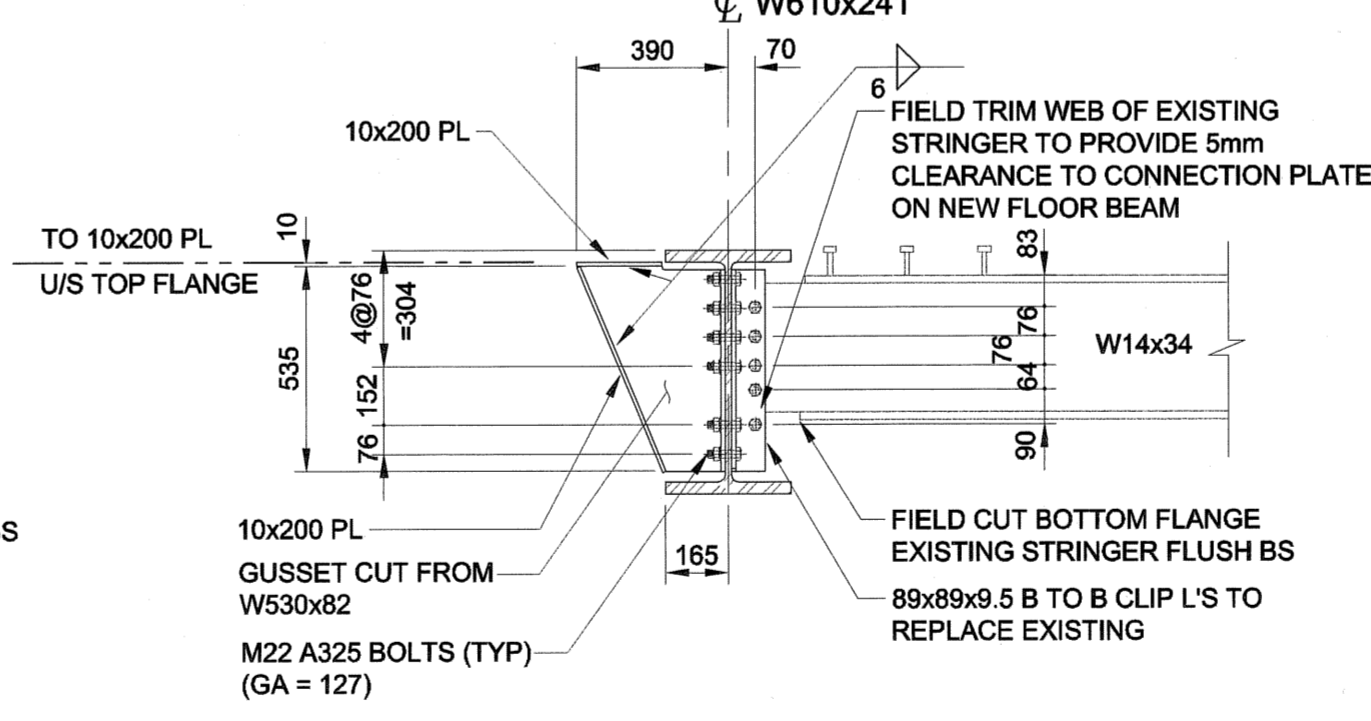
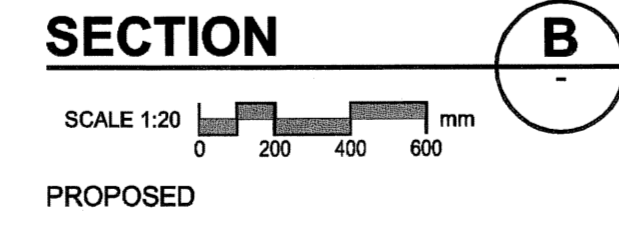
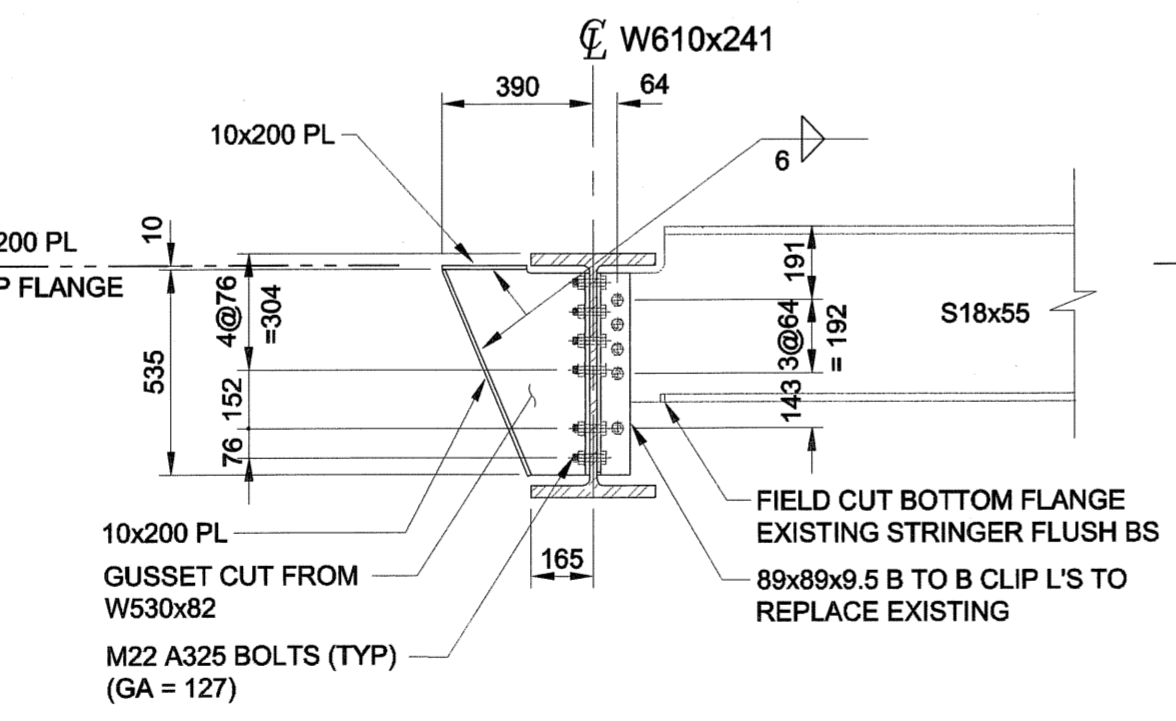
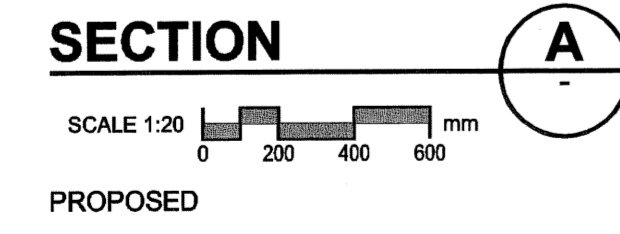
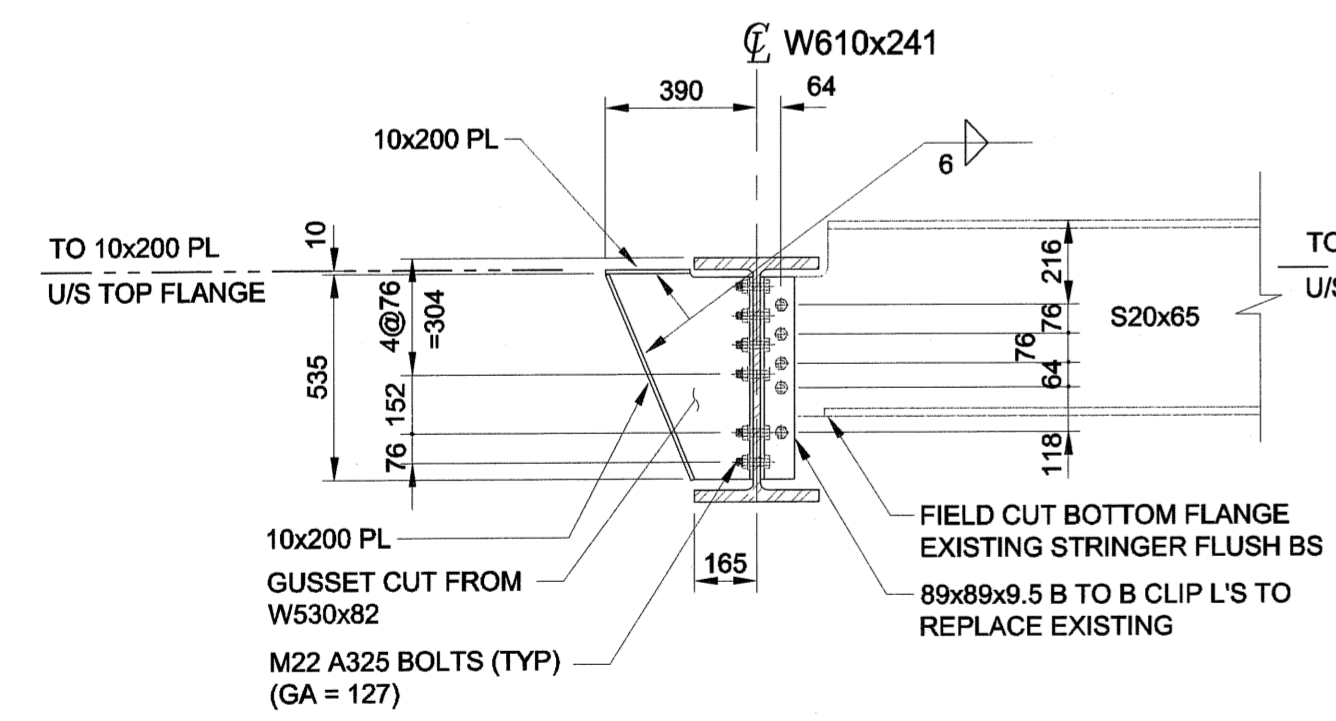
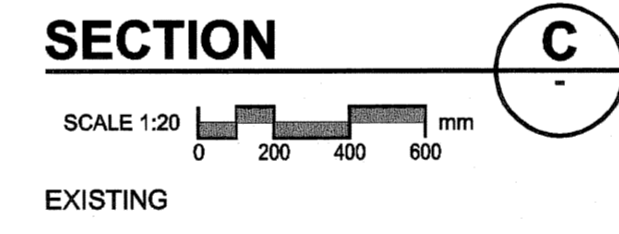
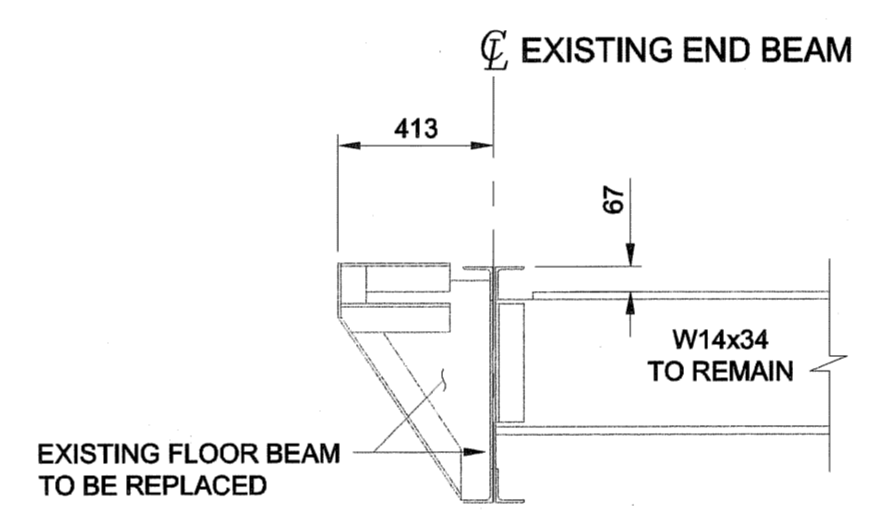
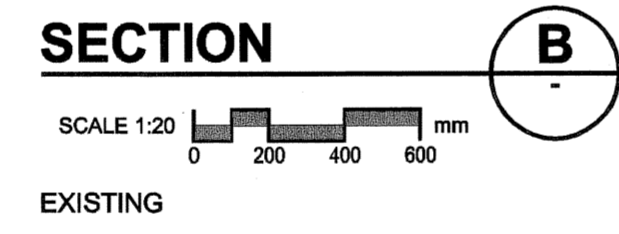
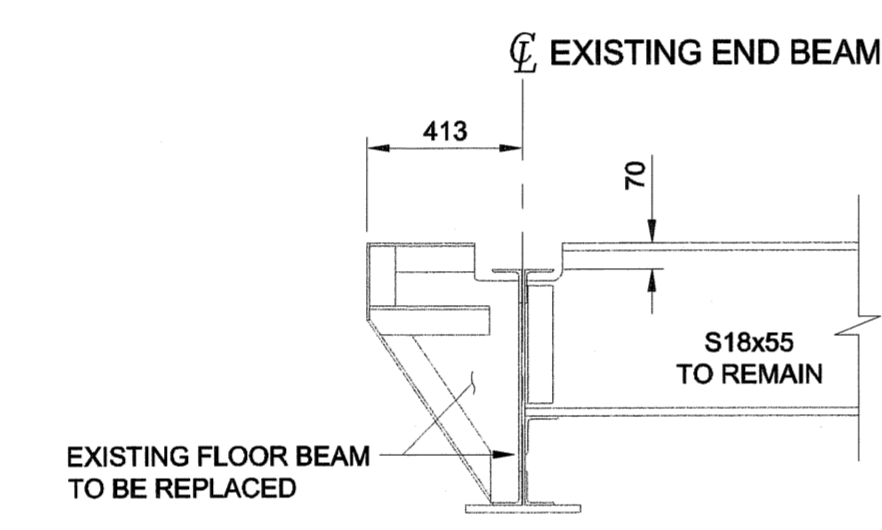
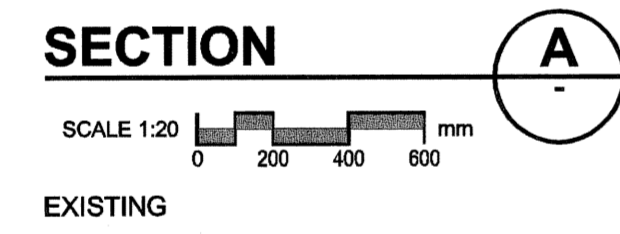
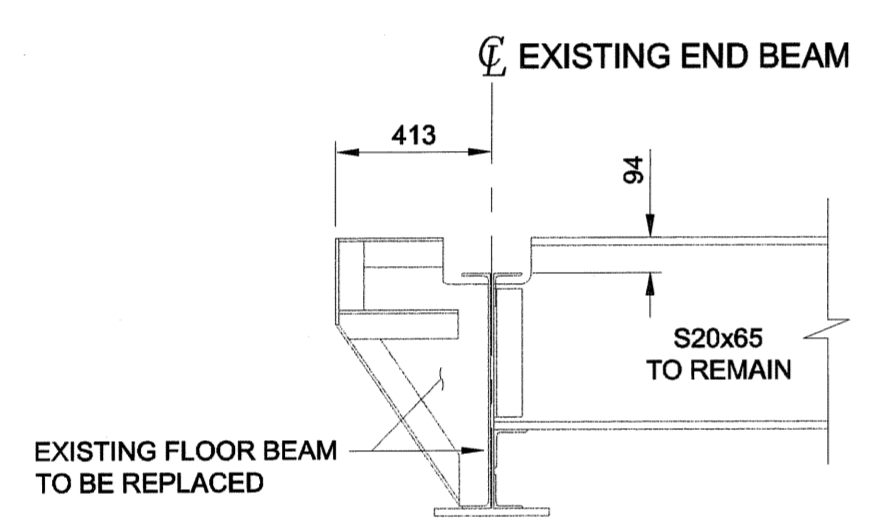
NOTE:
FOR PROPOSED SIDEWALK BRACKET SEE DWG 34.

JACKING STIFFENER PL'S BOTH SIDES
(TYP EACH END)

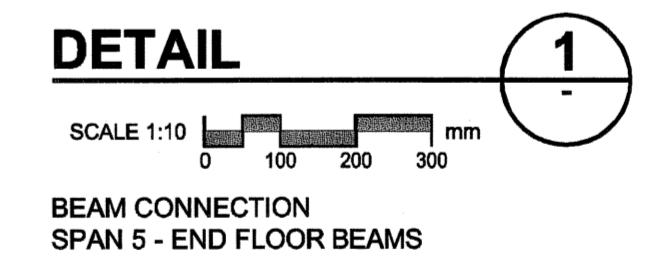
PROPOSED



EXISTING



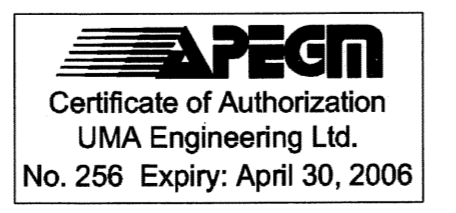
HOLE SPACING SHOWN TO MATCH RIVET SPACING ON EXISTING TRUSS GUSSET PLATE. CIRCLED HOLES (4) TO BE DRILLED IN FIELD (24mmØ) ON EXISTING TRUSS GUSSET PLATE. REMOVE (14) EXISTING RIVETS AND REMOVE EXISTING FLOOR BEAM AS NOTED BELOW.



- ERECTOR NOTES**
- AFTER REMOVING EXISTING STRINGER CONNECTIONS TO EXISTING FLOOR BEAM & PROVIDING TEMPORARY SUPPORT FOR EXISTING STRINGERS, CUT WEB OF EXISTING END FLOOR BEAM CLOSE TO EXISTING FLOOR BEAM END CONNECTION. LEAVE OSLS OF EXISTING FLOOR BEAM END CONNECTION RIVETTED TO EXISTING GUSSET PLATE. REMOVE EXISTING FLOOR BEAM.
 - REMOVE (7) RIVETS ON EAST SIDE OF FLOOR BEAM CL AND REMOVE EXISTING FLOOR BEAM CONNECTION ANGLE ON EAST SIDE OF FLOOR BEAM CL ONLY. REAM (7) EXISTING 21mmØ TO 24mmØ. DRILL (2) NEW 24mmØ HOLES IN EXISTING GUSSET PLATE AS SHOWN ON EAST SIDE OF FLOOR BEAM CL. BOLT OSL OF NEW FLOOR BEAM CONNECTION PLATE TO EXISTING GUSSET PLATE WITH M22 A325 BOLTS.
- REPEAT THE ABOVE PROCEDURE FOR THE WEST SIDE OF THE EXISTING FLOOR BEAM END CONNECTION, ERECTING THE NEW W610x241 END FLOOR BEAM BEFORE BOLTING THE OSL OF THE NEW CONNECTION PLATE ON THE WEST SIDE OF THE NEW FLOOR BEAM.

NOTE:
ALL DIMENSIONS SHOWN ON THE DRAWINGS ARE BASED ON AVAILABLE INFORMATION AND RECORD DRAWINGS. THE CONTRACTOR SHALL FIELD MEASURE AND VERIFY ALL DIMENSIONS PRIOR TO COMMENCING CONSTRUCTION OR PRIOR TO PREPARATION OF SHOP DRAWINGS. THE CONTRACTOR SHALL MAKE THE APPROPRIATE ADJUSTMENTS TO THE APPLICABLE DETAILS AND DIMENSIONS ACCEPTABLE TO THE CONTRACT ADMINISTRATOR. THE CONTRACTOR SHALL THEN FABRICATE AND CONSTRUCT THE WORKS IN ACCORDANCE WITH THE CORRECTED DIMENSIONS.

METRIC
WHOLE NUMBERS INDICATE MILLIMETRES
DECIMALIZED NUMBERS INDICATE METRES



UMA Engineering Ltd. • Consulting • Engineering • Construction • Management Services	
DESIGNED BY: BLL	CHECKED BY: SBB
DRAWN BY: JJA	APPROVED BY: BWB
HOR. SCALE: AS SHOWN	ACCEPTED BY: <i>[Signature]</i>
VERT. SCALE: AS SHOWN	DATE: 2005 07 07
NO. REVISIONS	BY
0 ISSUED FOR CONSTRUCTION	05/07/05 MP
NO. REVISIONS	YYMMDD BY



THE CITY OF WINNIPEG PUBLIC WORKS DEPARTMENT

REDWOOD BRIDGE REHABILITATIVE MAINTENANCE AND RELATED WORKS

BRIDGE SECTION - SPAN 5 WEST END FLOOR BEAM DETAILS

CITY DRAWING NUMBER: B113-05-31
SHEET 31 OF 74
REV 0

CONSULTANT DRAWING NO. 31
0265-376-00