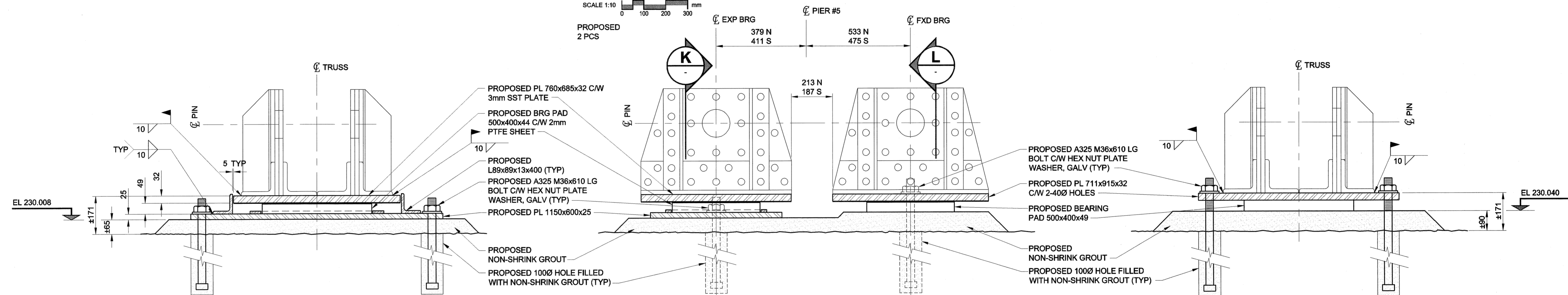


PLAN OF EXP BRG RETAINING PLATE

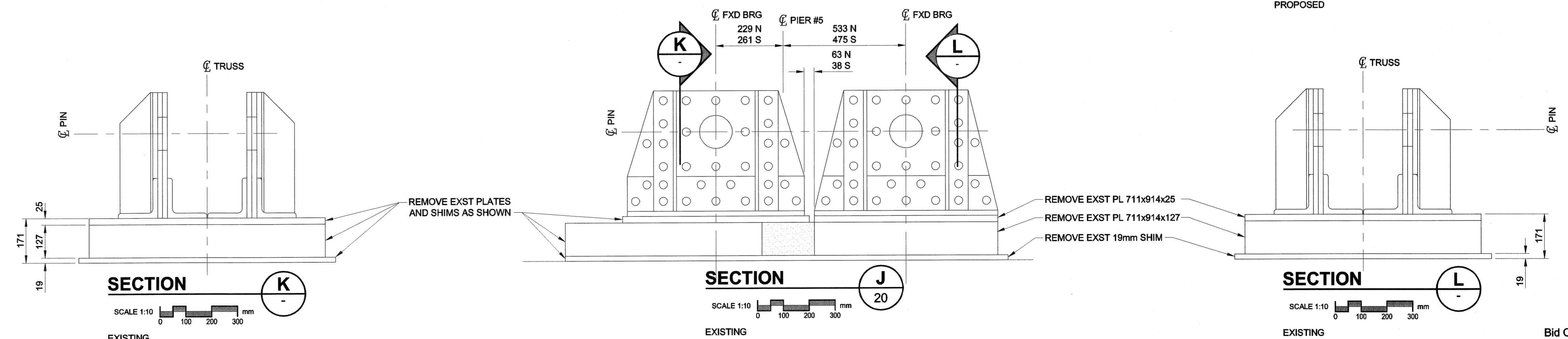
SCALE 1:10
0 100 200 300 mm



SECTION K
SCALE 1:10
0 100 200 300 mm
PROPOSED

SECTION J
SCALE 1:10
0 100 200 300 mm
PROPOSED

SECTION L
SCALE 1:10
0 100 200 300 mm
PROPOSED



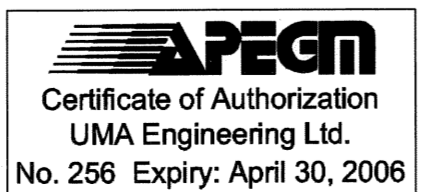
SECTION K
SCALE 1:10
0 100 200 300 mm
EXISTING

SECTION J
SCALE 1:10
0 100 200 300 mm
EXISTING

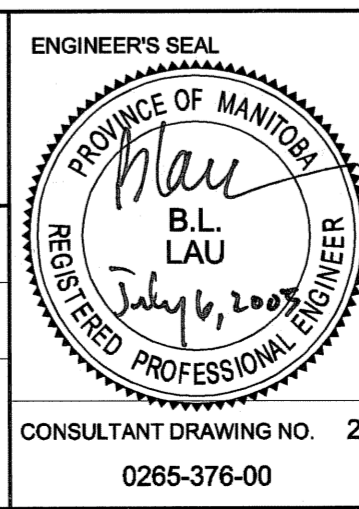
SECTION L
SCALE 1:10
0 100 200 300 mm
EXISTING

NOTE:
ALL DIMENSIONS SHOWN ON THE DRAWINGS ARE BASED ON AVAILABLE INFORMATION AND RECORD DRAWINGS. THE CONTRACTOR SHALL FIELD MEASURE AND VERIFY ALL DIMENSIONS PRIOR TO COMMENCING CONSTRUCTION OR PRIOR TO PREPARATION OF SHOP DRAWINGS. THE CONTRACTOR SHALL MAKE THE APPROPRIATE ADJUSTMENTS TO THE APPLICABLE DETAILS AND DIMENSIONS ACCEPTABLE TO THE CONTRACT ADMINISTRATOR. THE CONTRACTOR SHALL THEN FABRICATE AND CONSTRUCT THE WORKS IN ACCORDANCE WITH THE CORRECTED DIMENSIONS.

METRIC
WHOLE NUMBERS INDICATE MILLIMETRES
DECIMALIZED NUMBERS INDICATE METRES



UMA UMA Engineering Ltd. • Consulting • Engineering • Construction • Management Services	
DESIGNED BY: BLL	CHECKED BY: SBB
DRAWN BY: CGC	APPROVED BY: BUB
HOR. SCALE: AS SHOWN	ACCEPTED BY: [Signature]
VERT. SCALE: AS SHOWN	DATE: 2005 07 07
0 ISSUED FOR CONSTRUCTION 05/07/05 MP	
NO. REVISIONS	YYMMDD BY



THE CITY OF WINNIPEG
PUBLIC WORKS DEPARTMENT

REDWOOD BRIDGE
REHABILITATIVE MAINTENANCE AND
RELATED WORKS

PIER #5
BEARING DETAILS

CITY DRAWING NUMBER: B113-05-24
SHEET 24 OF 74
REV 24 0

CONSULTANT DRAWING NO. 24
0265-376-00