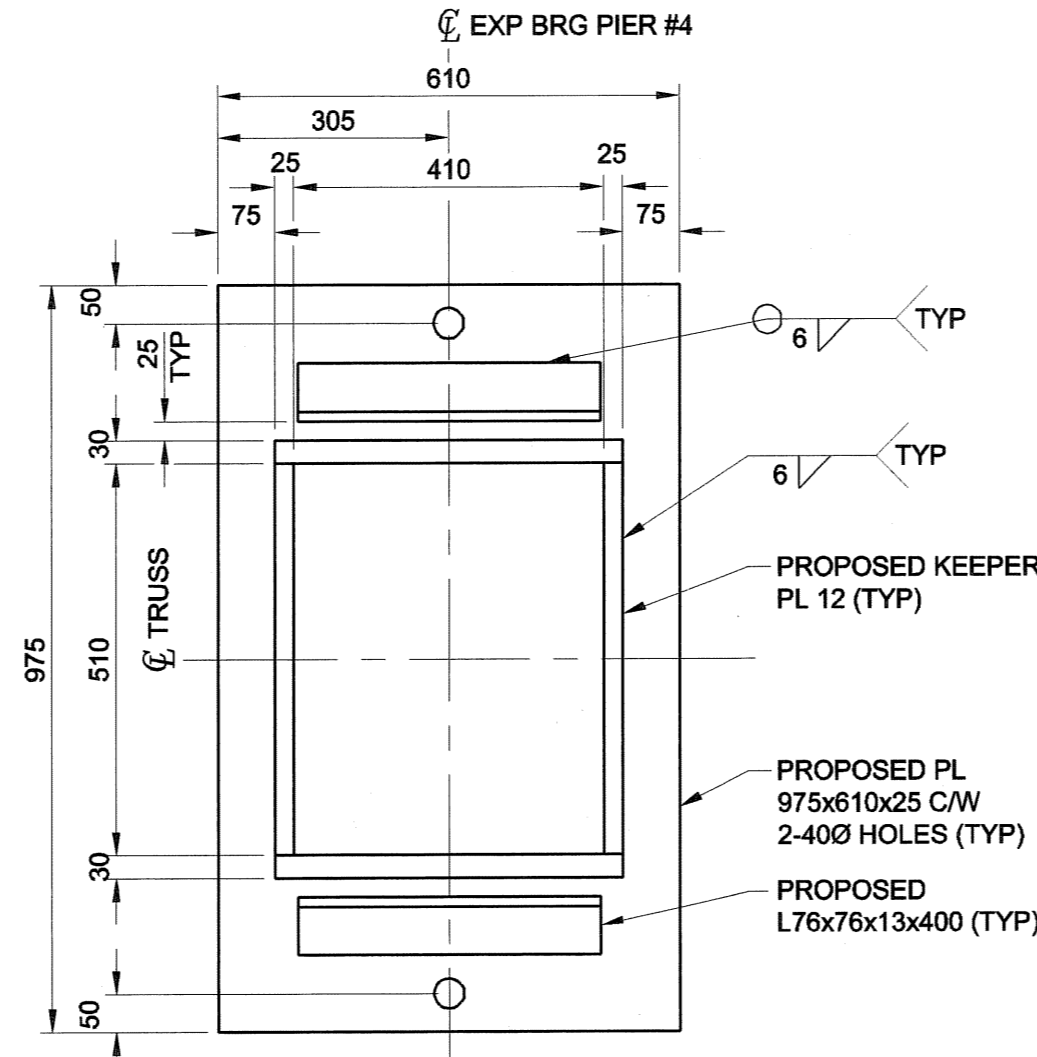


**PLAN OF EXP BRG**

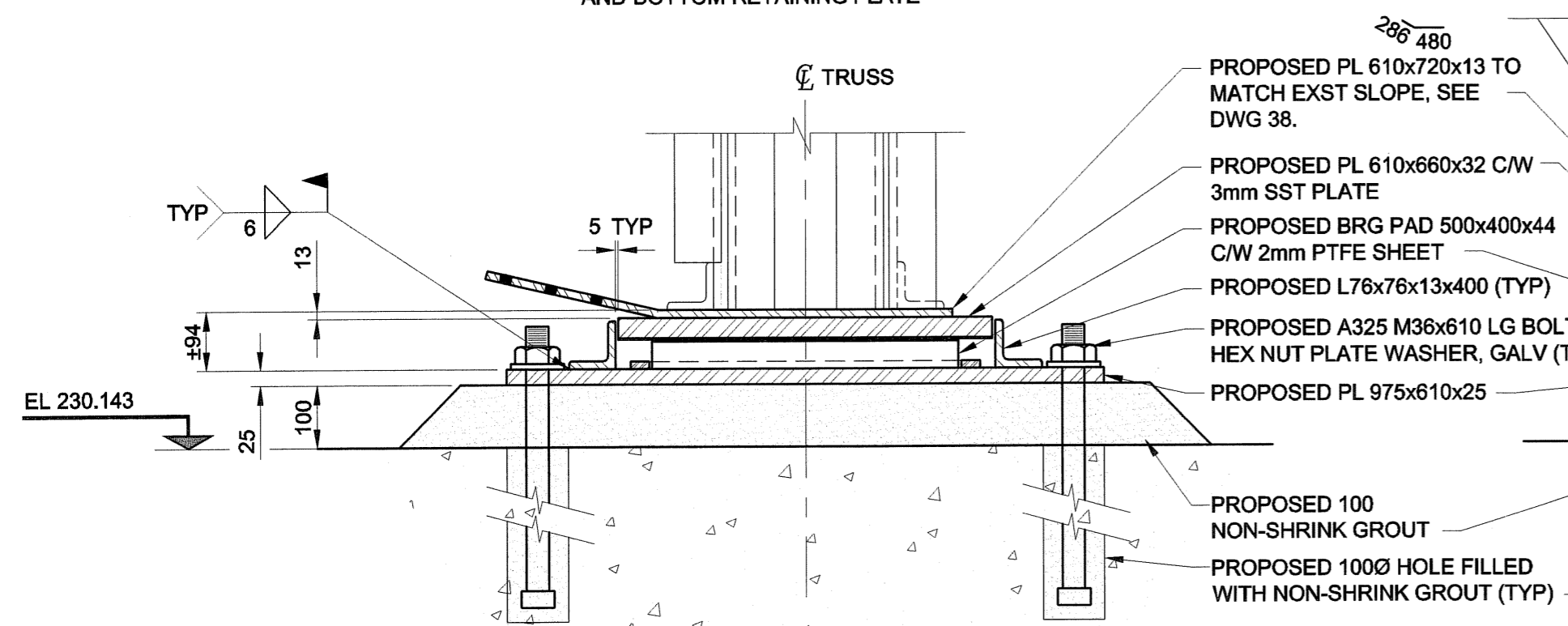
SCALE 1:10  
TOP SIDEWALK CONNECTION PLATE AND BOTTOM RETAINING PLATE



**PLAN OF EXP BRG RETAINING PLATE**

SCALE 1:10

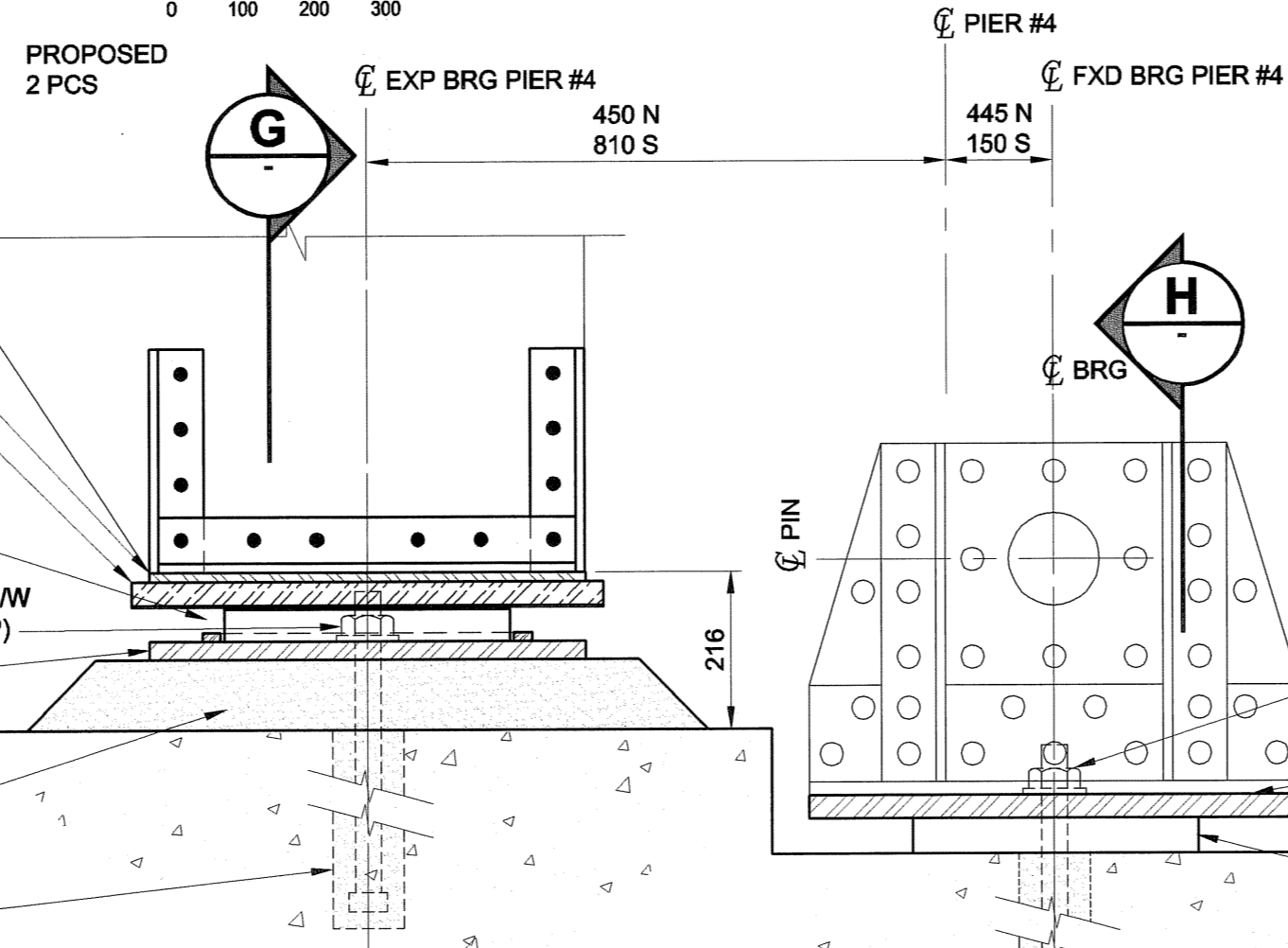
PROPOSED 2 PCS



**SECTION G**

SCALE 1:10

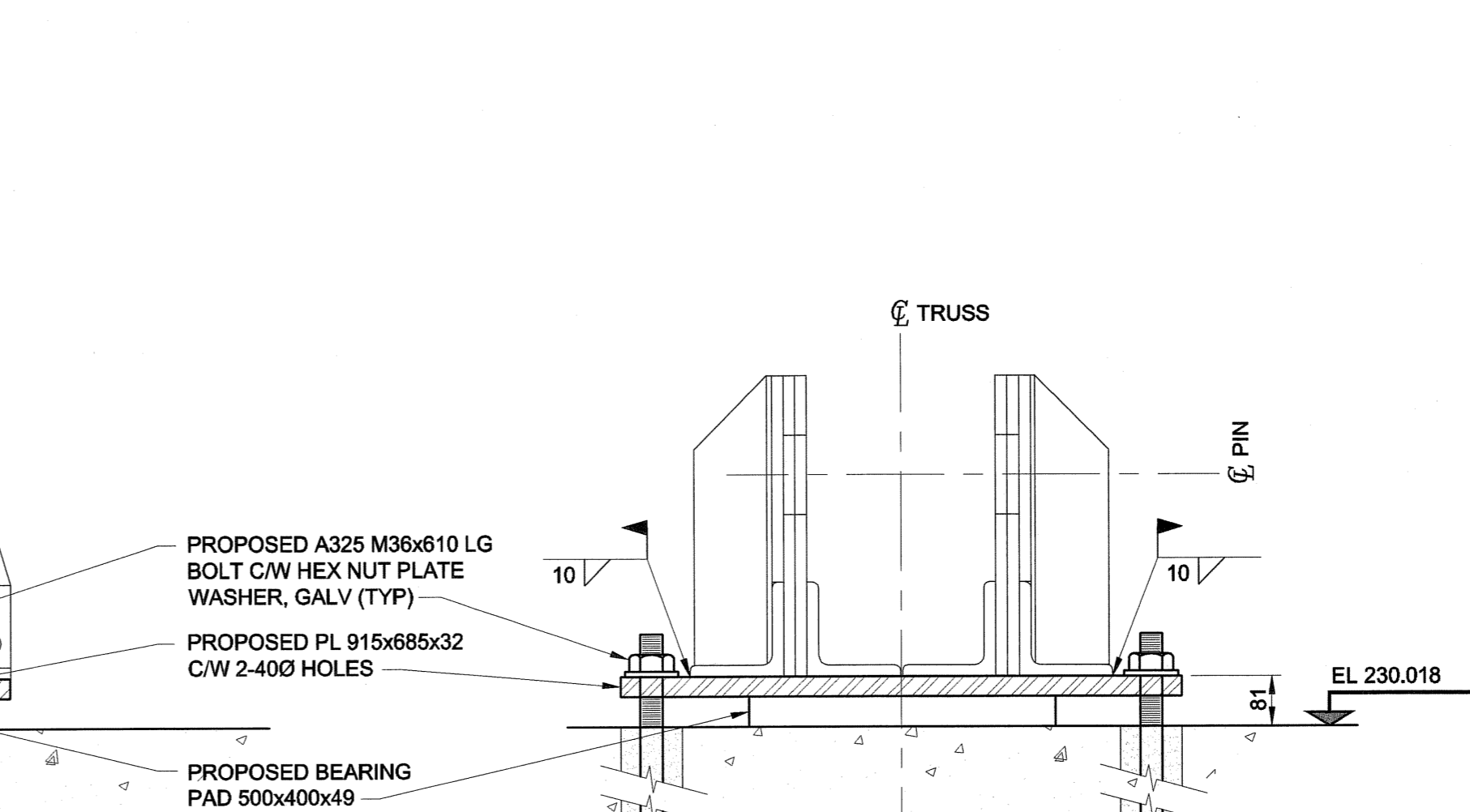
PROPOSED PIER #4 EXP BRG OPPOSITE HAND



**SECTION F**

SCALE 1:10

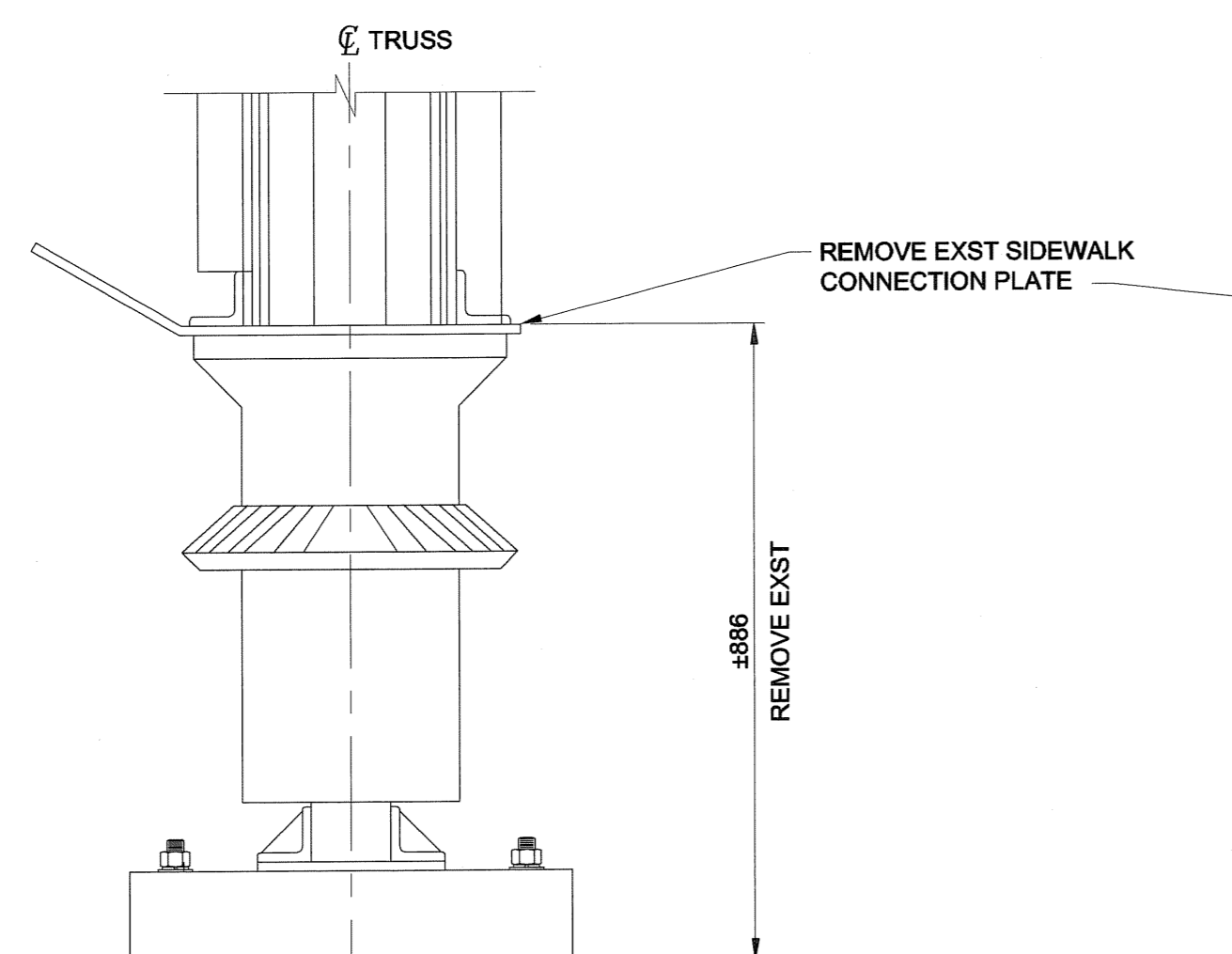
PROPOSED



**SECTION H**

SCALE 1:10

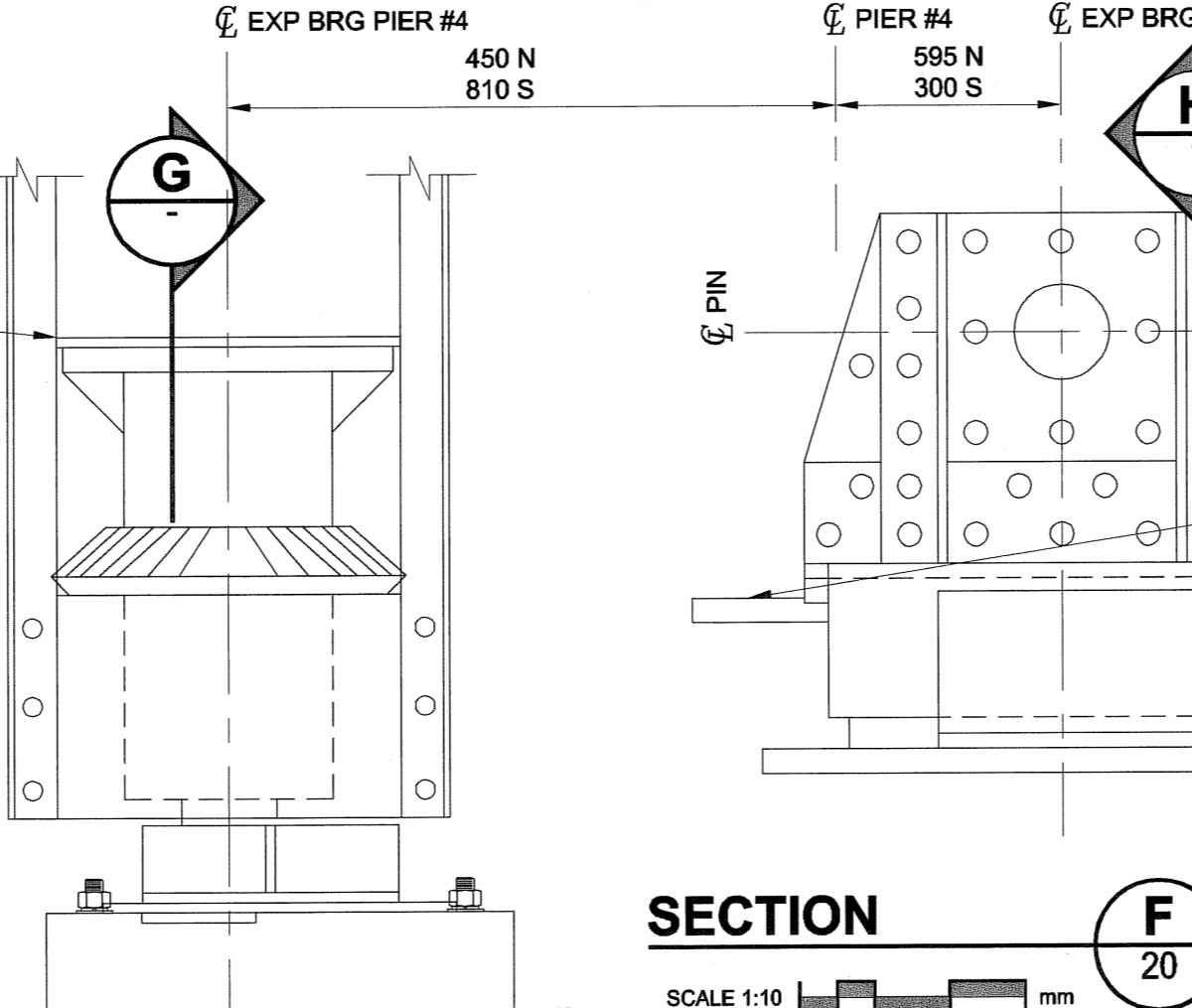
PROPOSED



**SECTION G**

SCALE 1:10

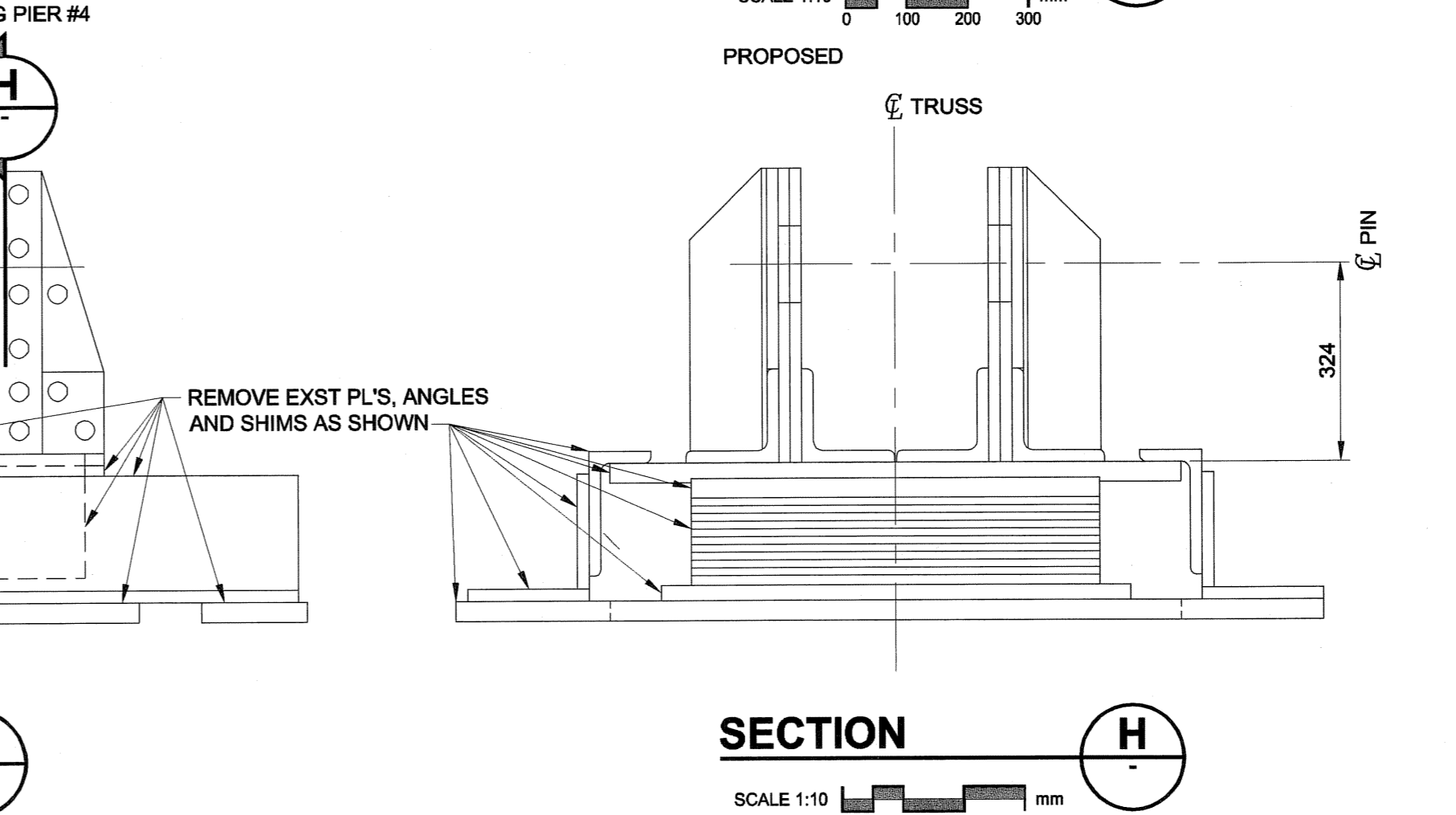
EXISTING



**SECTION F**

SCALE 1:10

EXISTING



**SECTION H**

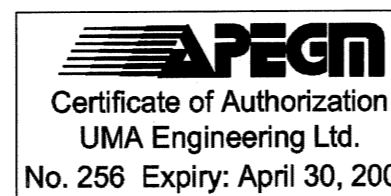
SCALE 1:10

EXISTING

**NOTE:**

ALL DIMENSIONS SHOWN ON THE DRAWINGS ARE BASED ON AVAILABLE INFORMATION AND RECORD DRAWINGS. THE CONTRACTOR SHALL FIELD MEASURE AND VERIFY ALL DIMENSIONS PRIOR TO COMMENCING CONSTRUCTION OR PRIOR TO PREPARATION OF SHOP DRAWINGS. THE CONTRACTOR SHALL MAKE THE APPROPRIATE ADJUSTMENTS TO THE APPLICABLE DETAILS AND DIMENSIONS ACCEPTABLE TO THE CONTRACT ADMINISTRATOR. THE CONTRACTOR SHALL THEN FABRICATE AND CONSTRUCT THE WORKS IN ACCORDANCE WITH THE CORRECTED DIMENSIONS.

**METRIC**  
WHOLE NUMBERS INDICATE MILLIMETRES  
DECIMALIZED NUMBERS INDICATE METRES



NO.	REVISIONS	DATE	BY
0	ISSUED FOR CONSTRUCTION	05/07/05	MP

<b>UMA</b> UMA Engineering Ltd. * Consulting * Engineering * Construction * Management Services	
DESIGNED BY: BLL	CHECKED BY: SBB
DRAWN BY: CGC	APPROVED BY: <i>BuB</i>
HOR. SCALE: AS SHOWN	ACCEPTED BY: <i>meil</i>
VERT. SCALE: AS SHOWN	DATE: 2005 07 07

ENGINEER'S SEAL  
PROVINCE OF MANITOBA  
*meil*  
B.L. LAU  
REGISTERED PROFESSIONAL ENGINEER  
CONSULTANT DRAWING NO. 23  
0265-376-00

**THE CITY OF WINNIPEG**  
PUBLIC WORKS DEPARTMENT  
REDWOOD BRIDGE  
REHABILITATIVE MAINTENANCE AND  
RELATED WORKS  
PIER #4  
BEARING DETAILS

CITY DRAWING NUMBER B113-05-23  
SHEET 23 OF 74  
REV 23 0

Id Opportunity No. 257-2005