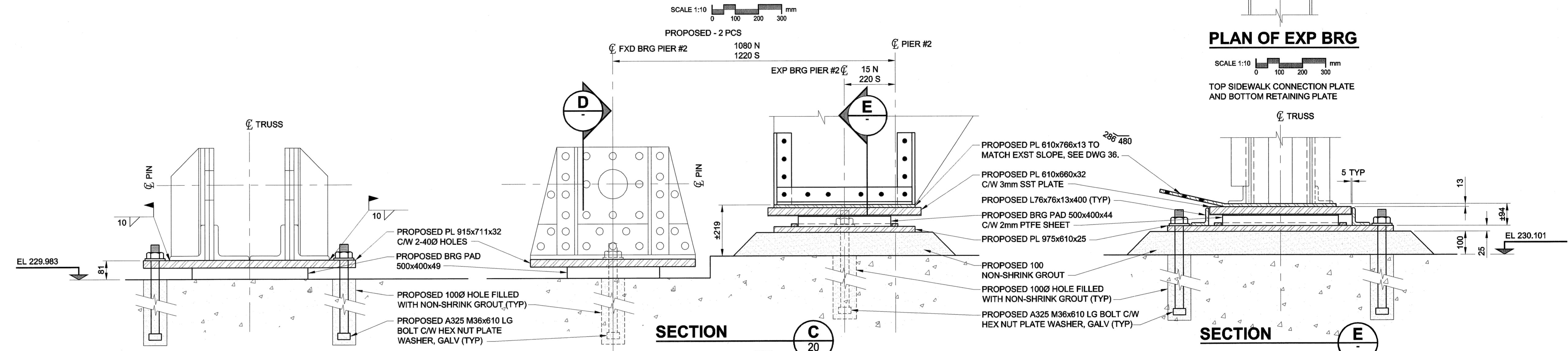


PLAN OF EXP BRG RETAINING PLATE

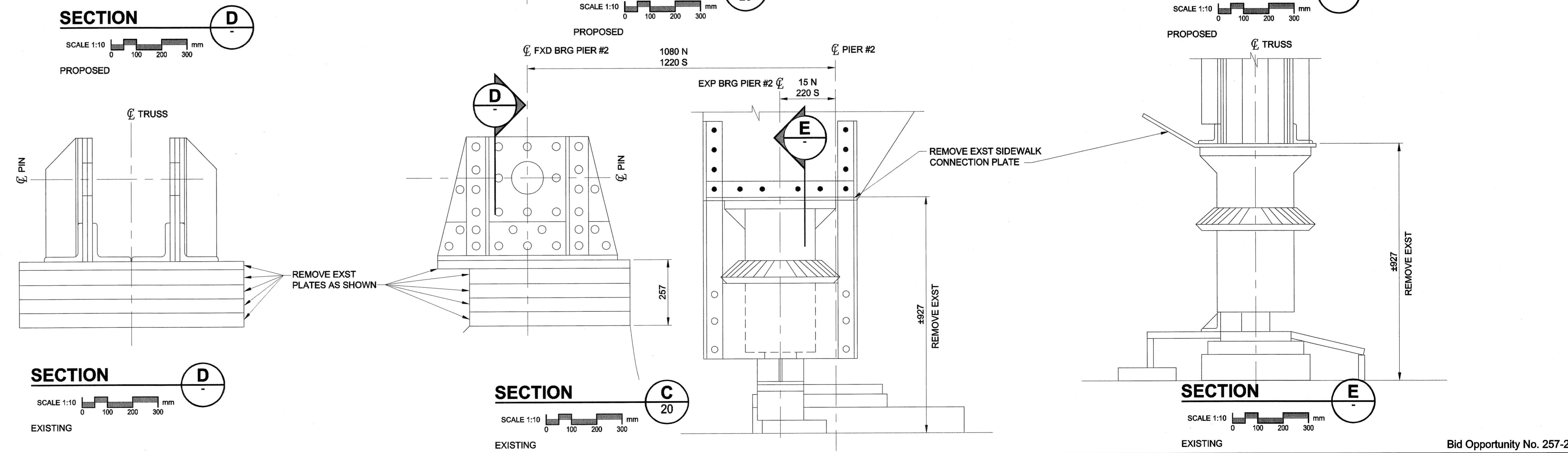
PLAN OF EXP BRG



SECTION D

SECTION C

SECTION E



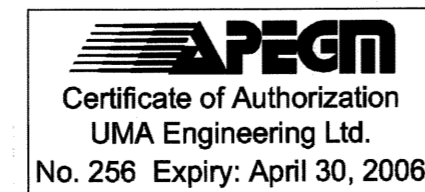
SECTION D

SECTION C

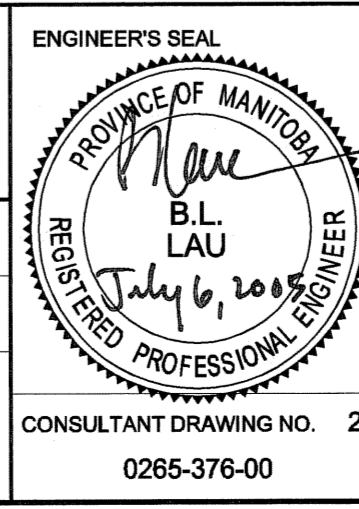
SECTION E

NOTE:
 ALL DIMENSIONS SHOWN ON THE DRAWINGS ARE BASED ON AVAILABLE INFORMATION AND RECORD DRAWINGS. THE CONTRACTOR SHALL FIELD MEASURE AND VERIFY ALL DIMENSIONS PRIOR TO COMMENCING CONSTRUCTION OR PRIOR TO PREPARATION OF SHOP DRAWINGS. THE CONTRACTOR SHALL MAKE THE APPROPRIATE ADJUSTMENTS TO THE APPLICABLE DETAILS AND DIMENSIONS ACCEPTABLE TO THE CONTRACT ADMINISTRATOR. THE CONTRACTOR SHALL THEN FABRICATE AND CONSTRUCT THE WORKS IN ACCORDANCE WITH THE CORRECTED DIMENSIONS.

METRIC
 WHOLE NUMBERS INDICATE MILLIMETRES
 DECIMALIZED NUMBERS INDICATE METRES



uma UMA Engineering Ltd. • Consulting • Engineering • Construction • Management Services	
DESIGNED BY: BLL	CHECKED BY: SBB
DRAWN BY: CGC	APPROVED BY: <i>B.S.B.</i>
HOR. SCALE: AS SHOWN	ACCEPTED BY: <i>[Signature]</i>
VERT. SCALE: AS SHOWN	DATE: 2005 07 07
NO. REVISIONS	DATE



THE CITY OF WINNIPEG PUBLIC WORKS DEPARTMENT

REDWOOD BRIDGE REHABILITATIVE MAINTENANCE AND RELATED WORKS

PIER #2 BEARING DETAILS

CONSULTANT DRAWING NO. 22
0265-376-00

CITY DRAWING NUMBER B113-05-22	REV 0
SHEET 22 OF 74	