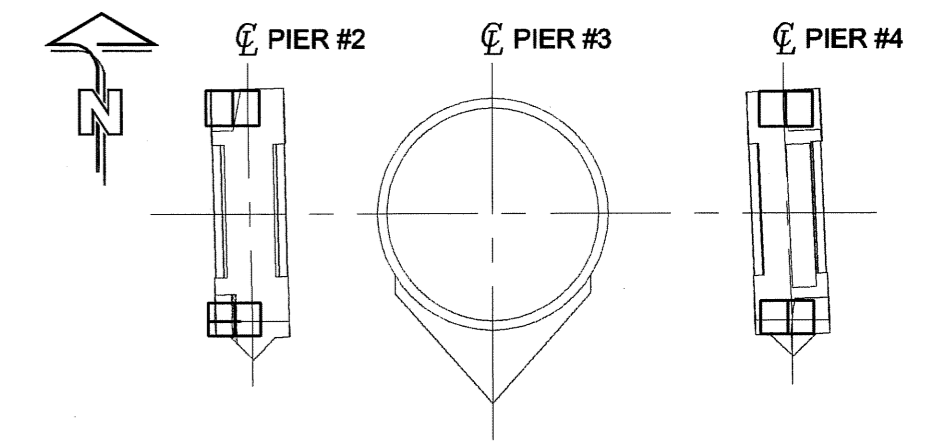


**PIER #4 PLAN**

SCALE 1:50  
EXISTING

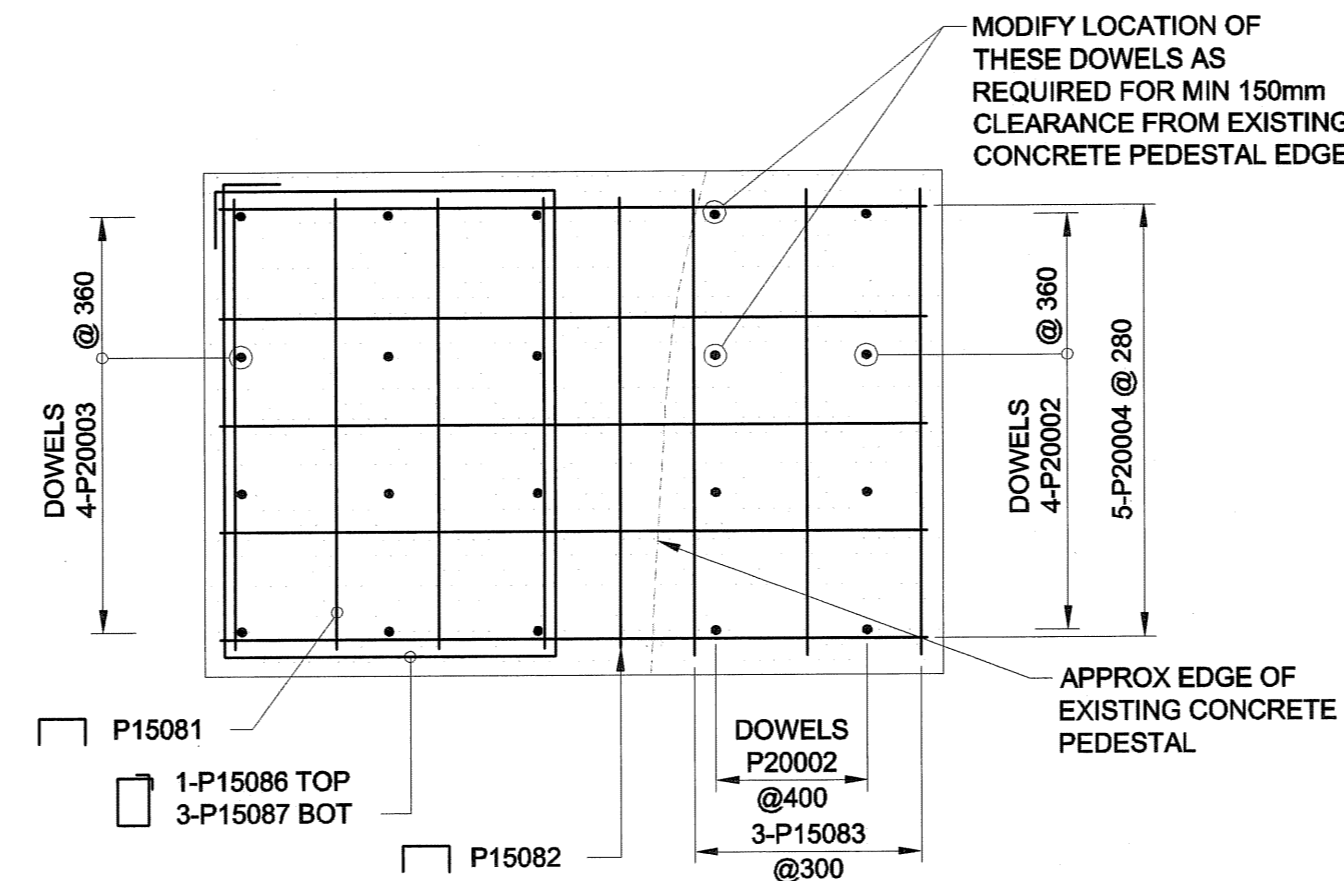
**PIER #4 PLAN**

SCALE 1:50  
PROPOSED



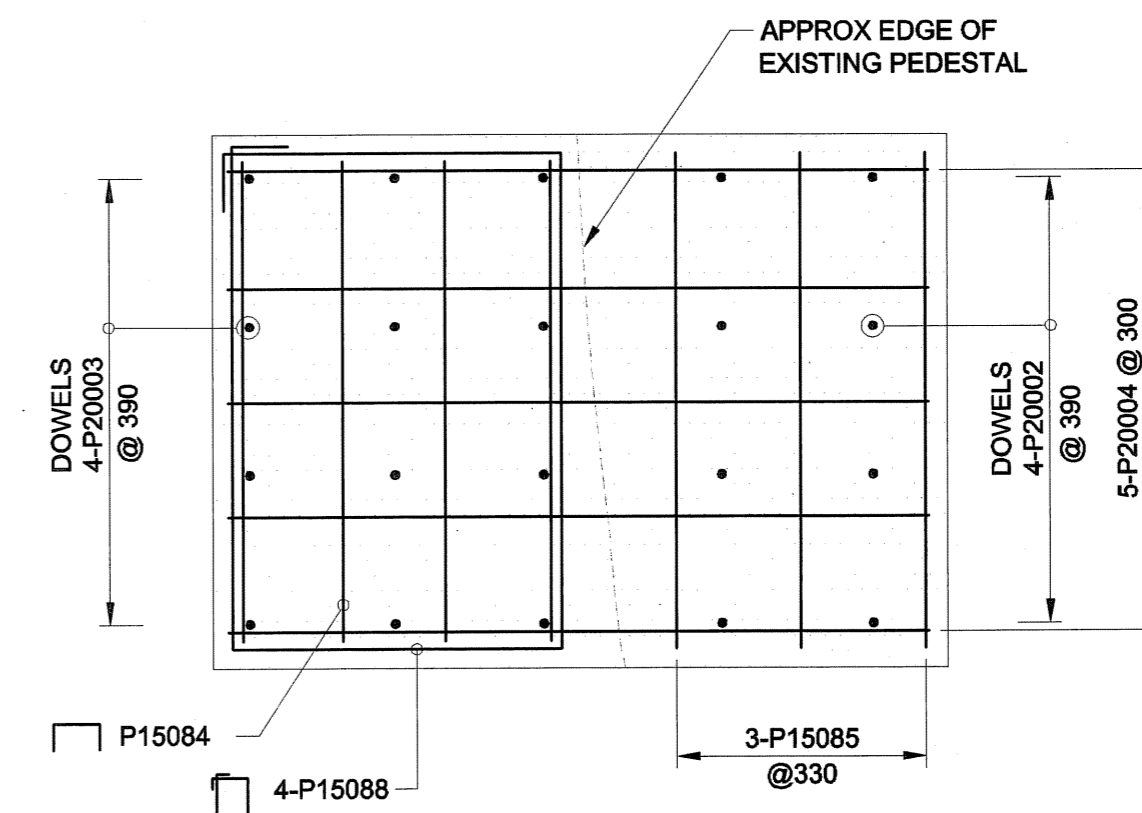
**KEY PART PLAN**

SCALE 1:300  
SUBSTRUCTURE - PIERS



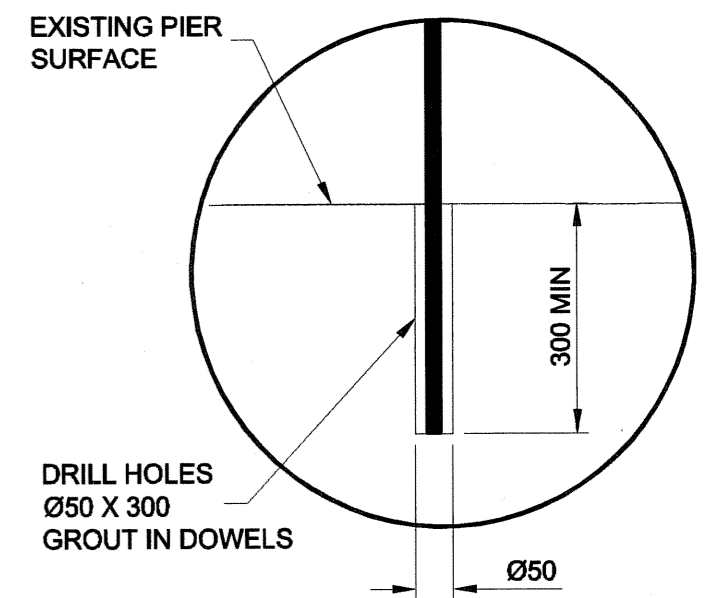
**SECTION B**

SCALE 1:20  
REINFORCING STEEL DETAILS  
SOUTH CONCRETE PEDESTAL



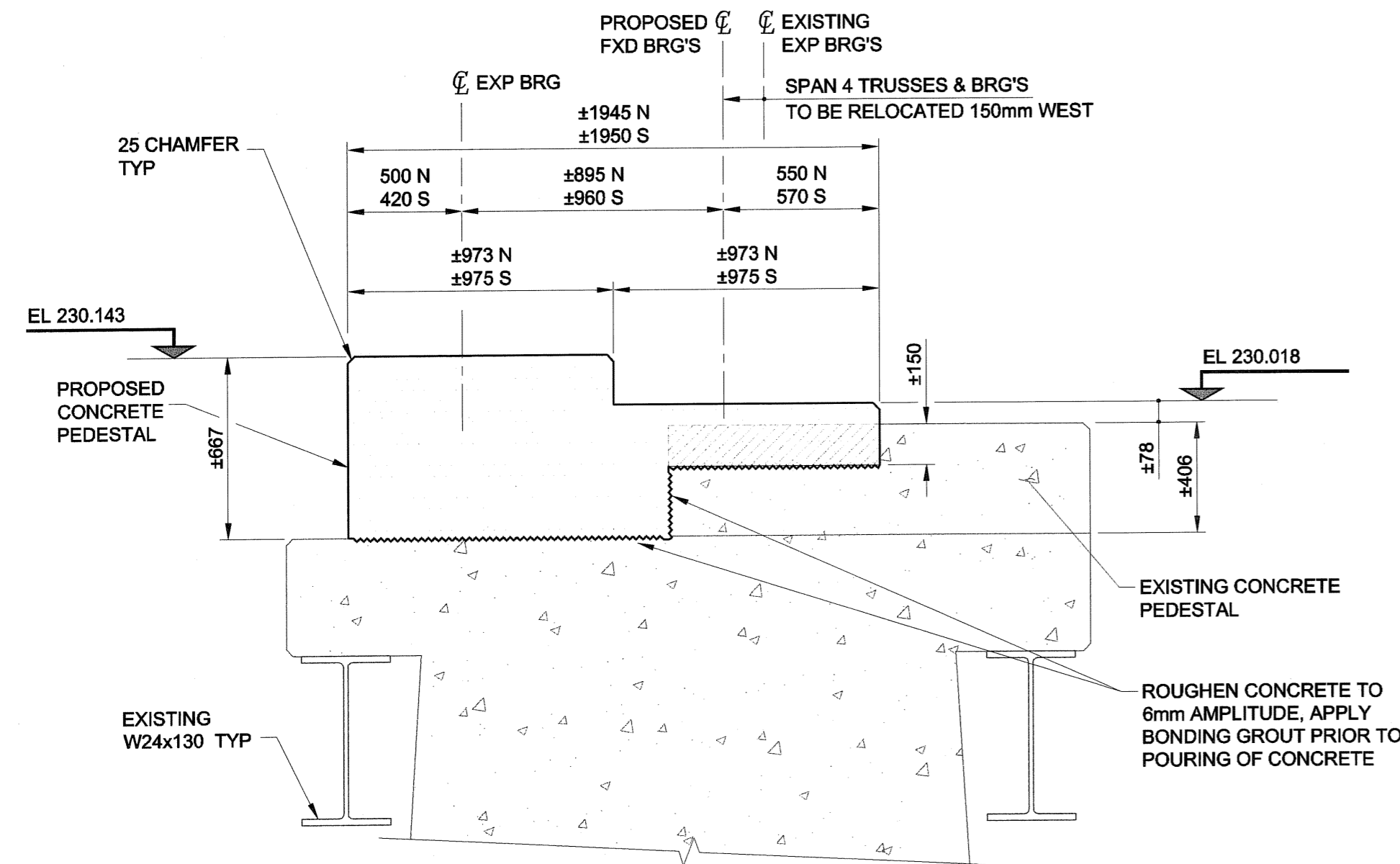
**SECTION D**

SCALE 1:20  
REINFORCING STEEL DETAILS  
NORTH CONCRETE PEDESTAL



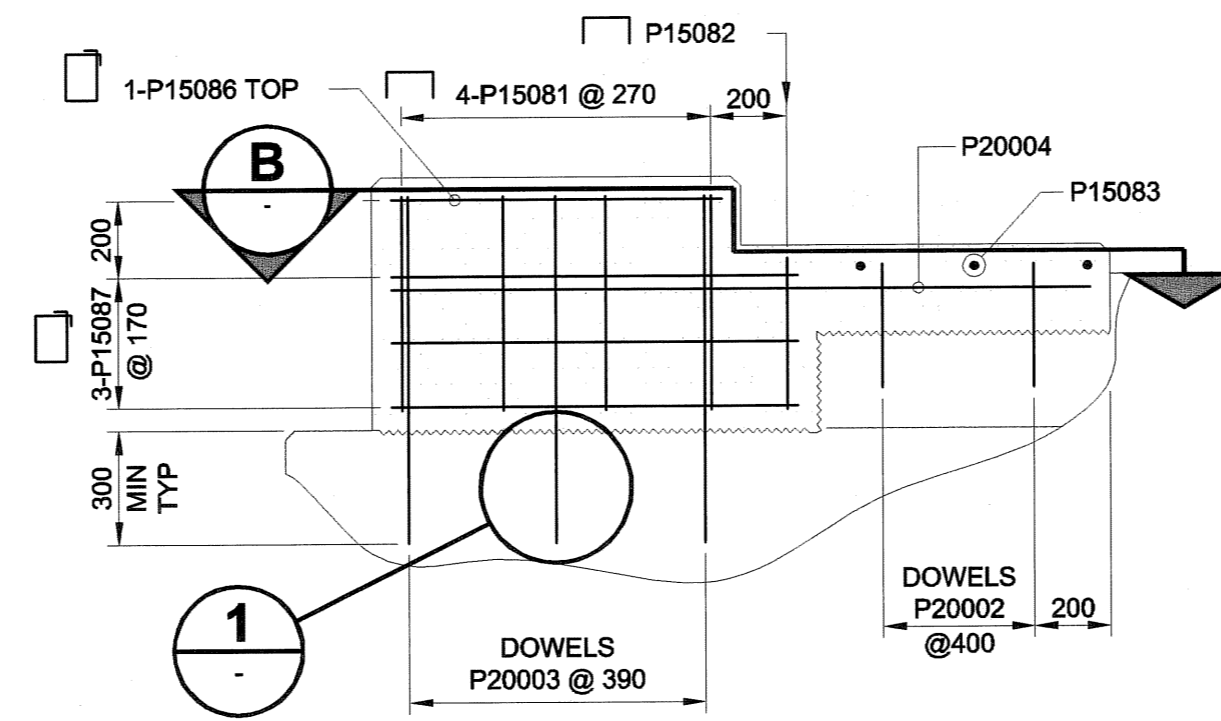
**DETAIL 1**

SCALE 1:10  
TYPICAL DOWEL INSTALLATION



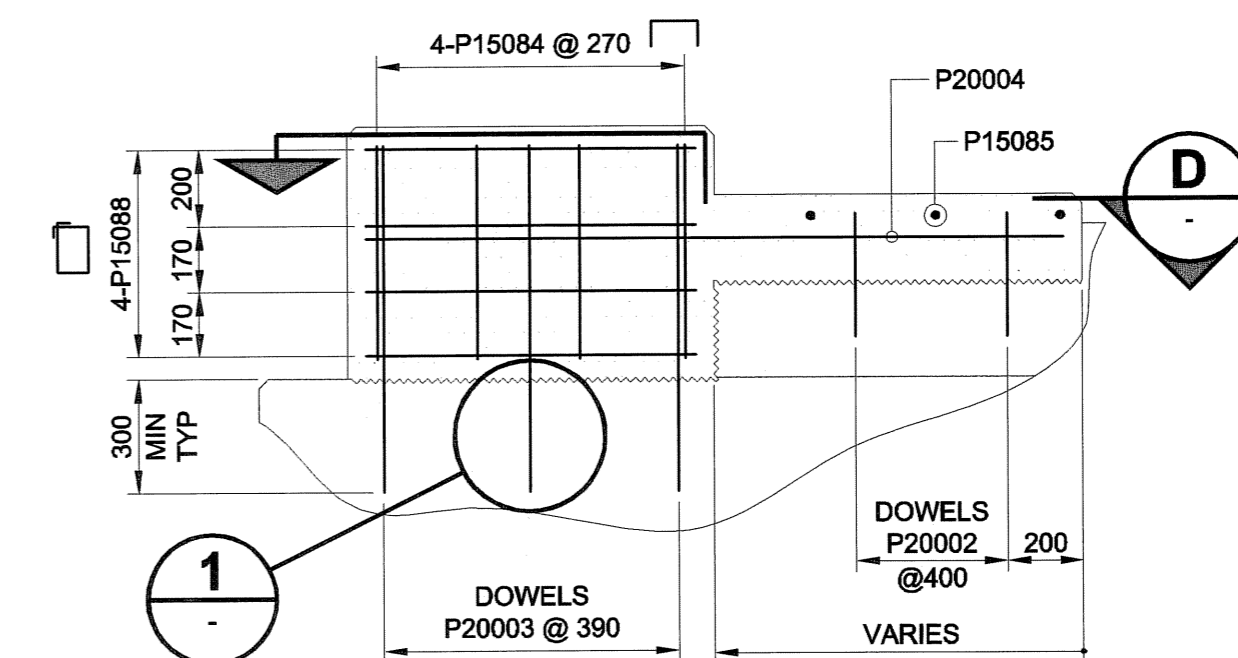
**SECTION A**

SCALE 1:20  
CONCRETE DETAILS  
SOUTH CONCRETE PEDESTAL  
(NORTH CONCRETE PEDESTAL SIMILAR)



**SECTION A**

SCALE 1:20  
REINFORCING STEEL DETAILS  
SOUTH CONCRETE PEDESTAL



**SECTION C**

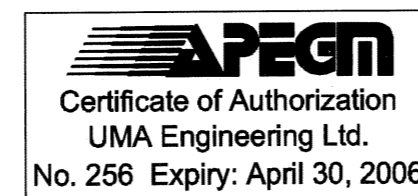
SCALE 1:20  
REINFORCING STEEL DETAILS  
NORTH CONCRETE PEDESTAL

**NOTES:**  
1. REFER TO "GENERAL NOTES" ON DRAWING 17.

**NOTE:**

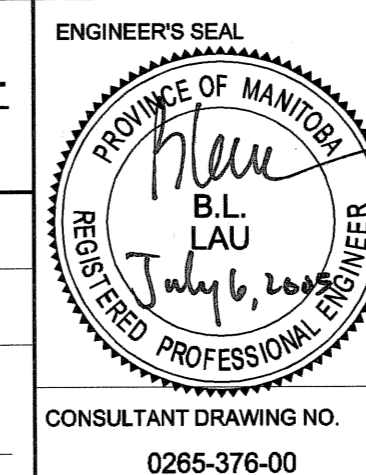
ALL DIMENSIONS SHOWN ON THE DRAWINGS ARE BASED ON AVAILABLE INFORMATION AND RECORD DRAWINGS. THE CONTRACTOR SHALL FIELD MEASURE AND VERIFY ALL DIMENSIONS PRIOR TO COMMENCING CONSTRUCTION OR PRIOR TO PREPARATION OF SHOP DRAWINGS. THE CONTRACTOR SHALL MAKE THE APPROPRIATE ADJUSTMENTS TO THE APPLICABLE DETAILS AND DIMENSIONS ACCEPTABLE TO THE CONTRACT ADMINISTRATOR. THE CONTRACTOR SHALL THEN FABRICATE AND CONSTRUCT THE WORKS IN ACCORDANCE WITH THE CORRECTED DIMENSIONS.

**METRIC**  
WHOLE NUMBERS INDICATE MILLIMETRES  
DECIMALIZED NUMBERS INDICATE METRES



DESIGNED BY	BLL	CHECKED BY	SBB
DRAWN BY	DL	APPROVED BY	<i>Bob</i>
HOR. SCALE	AS SHOWN	ACCEPTED BY	<i>Neil</i>
VERT. SCALE	AS SHOWN	DATE	2005 07 07
NO.	REVISIONS	DATE	
0	ISSUED FOR CONSTRUCTION	05/07/05	MP

**UMA** UMA Engineering Ltd.  
• Consulting • Engineering • Construction • Management Services



**THE CITY OF WINNIPEG**  
**PUBLIC WORKS DEPARTMENT**

**REDWOOD BRIDGE**  
**REHABILITATIVE MAINTENANCE AND**  
**RELATED WORKS**  
**PIER #4**  
**PIER CAP CONCRETE MODIFICATIONS**  
**AND REINFORCING STEEL DETAILS**

CITY DRAWING NUMBER  
B113-05-19  
SHEET 19 OF 74  
REV 19 0