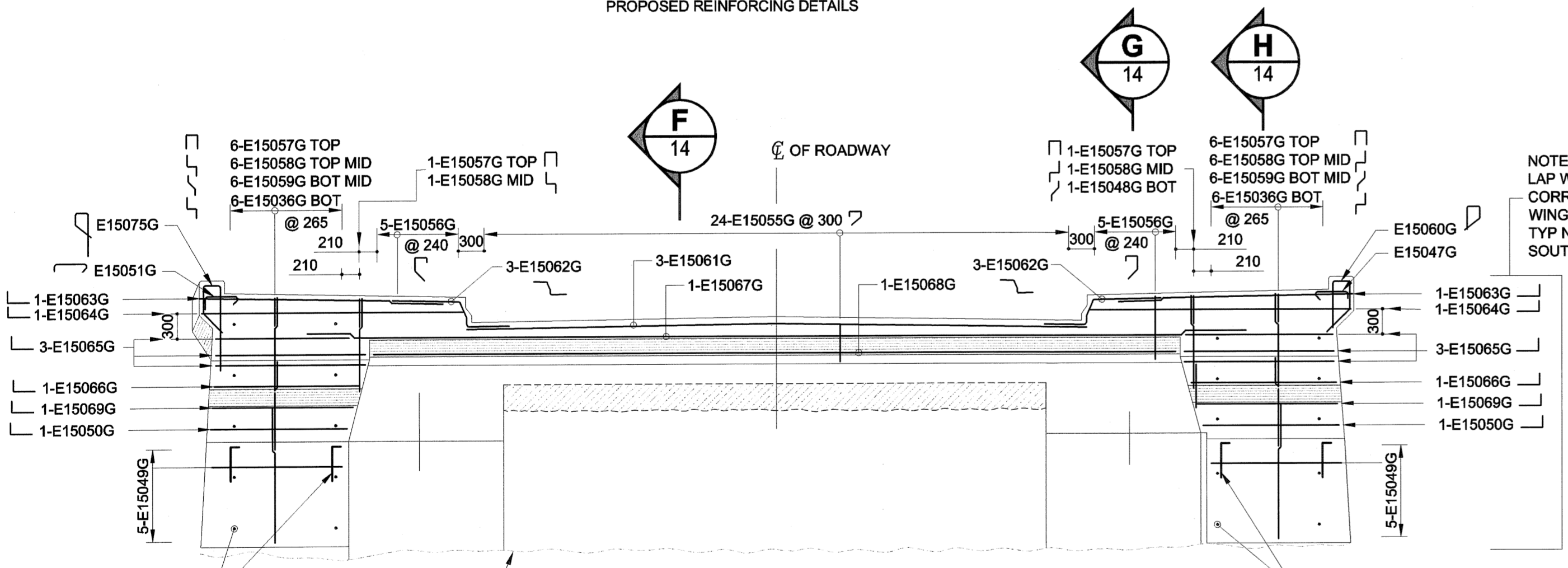


EAST ABUTMENT PART PLAN

SCALE 1:25
 0 500 1000 1500 mm
 PROPOSED REINFORCING DETAILS

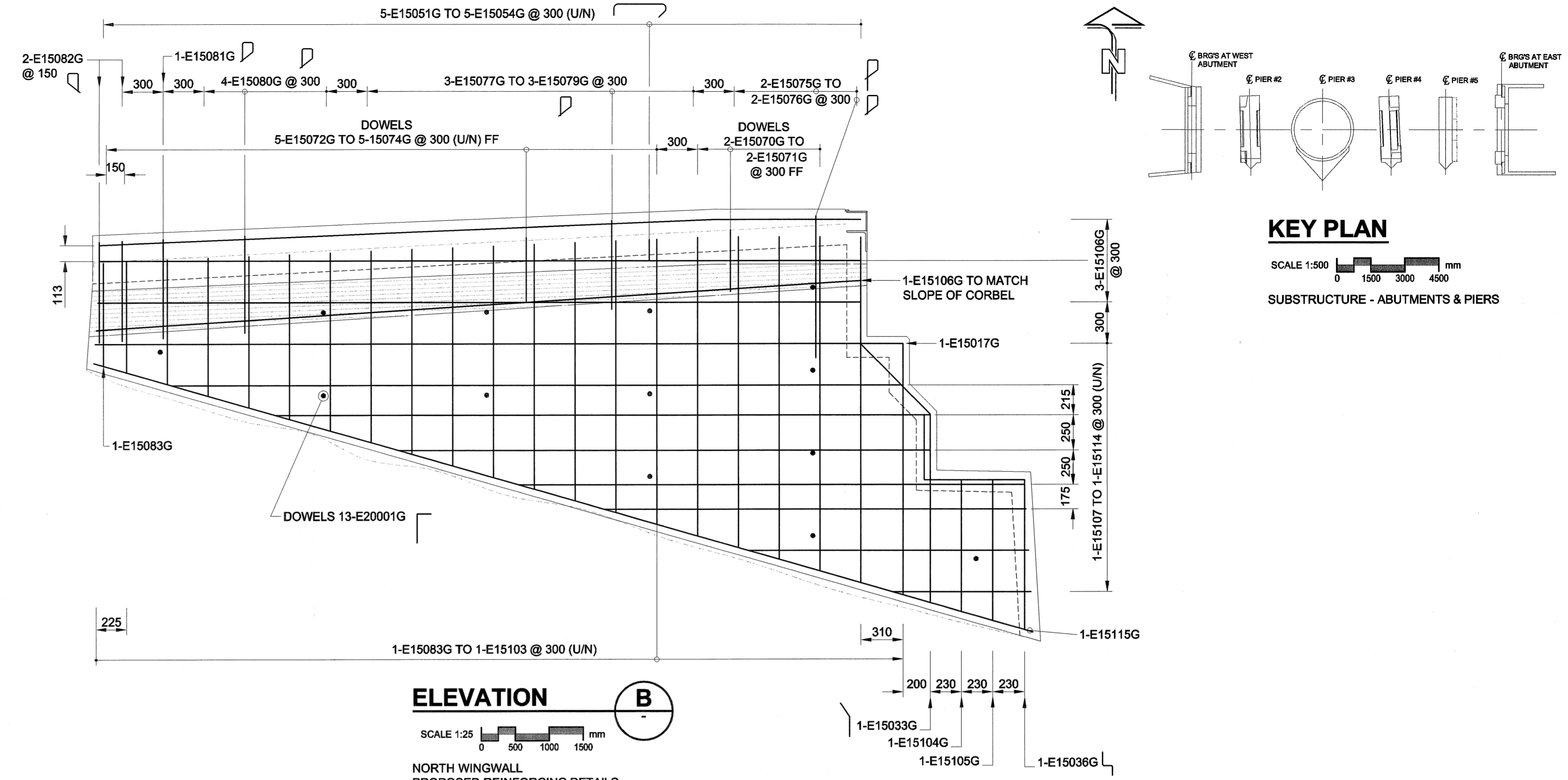
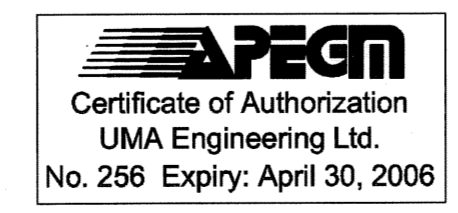


ELEVATION C

SCALE 1:50
 0 500 1000 1500 mm
 EAST ABUTMENT
 PROPOSED REINFORCING DETAILS

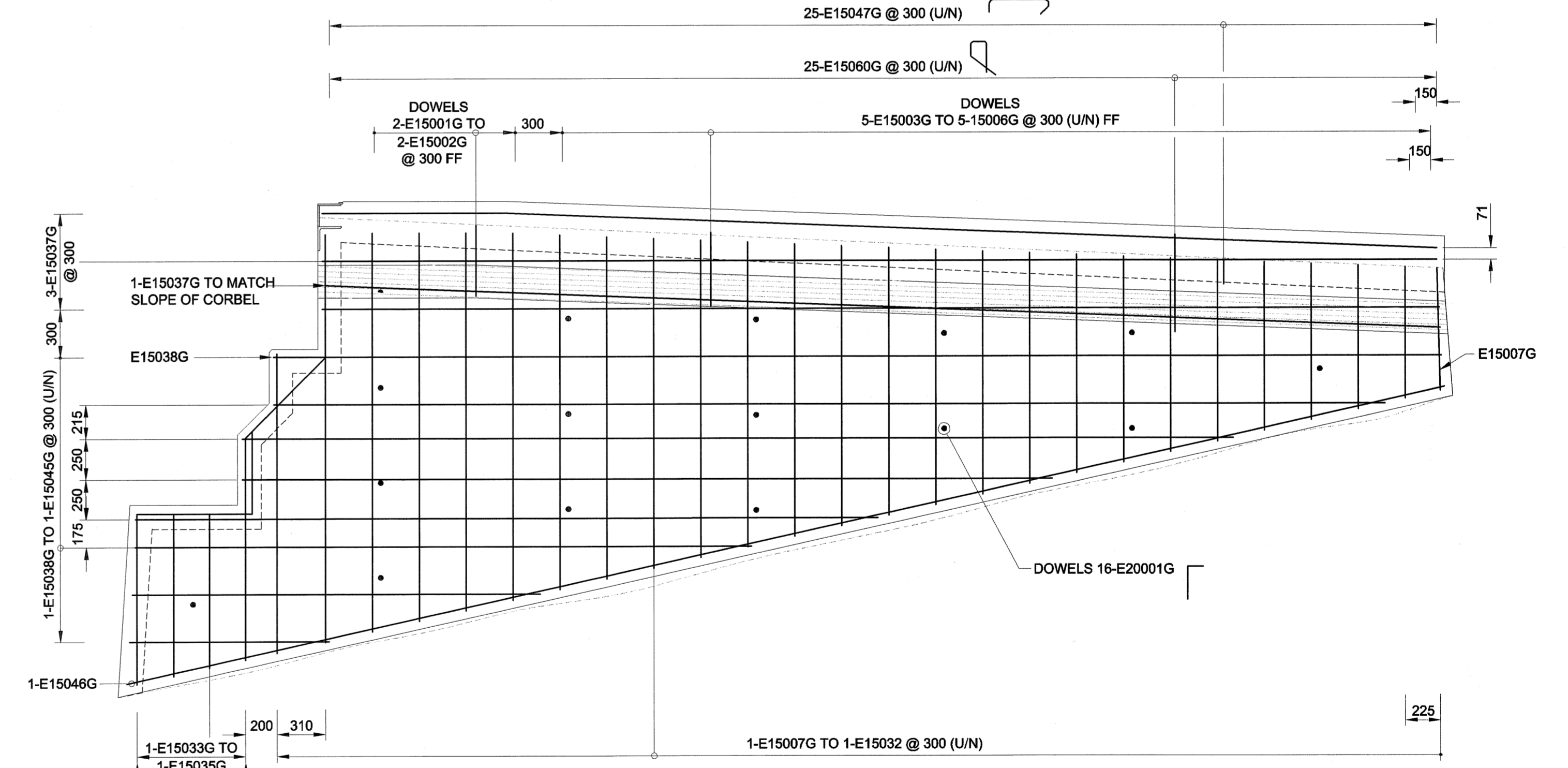
NOTE:
 ALL DIMENSIONS SHOWN ON THE DRAWINGS ARE BASED ON AVAILABLE INFORMATION AND RECORD DRAWINGS. THE CONTRACTOR SHALL FIELD MEASURE AND VERIFY ALL DIMENSIONS PRIOR TO COMMENCING CONSTRUCTION OR PRIOR TO PREPARATION OF SHOP DRAWINGS. THE CONTRACTOR SHALL MAKE THE APPROPRIATE ADJUSTMENTS TO THE APPLICABLE DETAILS AND DIMENSIONS ACCEPTABLE TO THE CONTRACT ADMINISTRATOR. THE CONTRACTOR SHALL THEN FABRICATE AND CONSTRUCT THE WORKS IN ACCORDANCE WITH THE CORRECTED DIMENSIONS.

METRIC
 WHOLE NUMBERS INDICATE MILLIMETRES
 DECIMALIZED NUMBERS INDICATE METRES



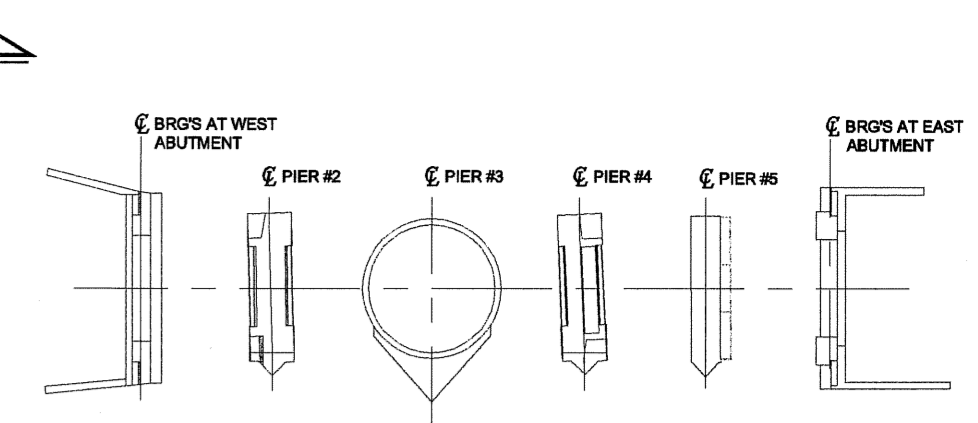
ELEVATION B

SCALE 1:25
 0 500 1000 1500 mm
 NORTH WINGWALL
 PROPOSED REINFORCING DETAILS



ELEVATION A

SCALE 1:25
 0 500 1000 1500 mm
 SOUTH WINGWALL
 PROPOSED REINFORCING DETAILS



KEY PLAN
 SCALE 1:500
 0 1500 3000 4500 mm
 SUBSTRUCTURE - ABUTMENTS & PIERS

GENERAL NOTES:
 1. ALL 20M DOWELS TO BE SPACED AT 1200mm HORIZONTALLY AND 600mm VERTICALLY UNLESS OTHERWISE NOTED.

Bid Opportunity No. 257-2005

UMA Engineering Ltd. • Consulting • Engineering • Construction • Management Services		ENGINEER'S SEAL PROVINCE OF MANITOBA B.L. LAU REGISTERED PROFESSIONAL ENGINEER CONSULTANT DRAWING NO. 13 0265-376-00	
DESIGNED BY: BLL	CHECKED BY: SBB	APPROVED BY: [Signature]	ACCEPTED BY: [Signature]
DRAWN BY: DL	HOR. SCALE: AS SHOWN	VERT. SCALE: AS SHOWN	DATE: 2005-07-07
0 ISSUED FOR CONSTRUCTION 05/07/05 MP	NO. REVISIONS	YYMMDD	BY

THE CITY OF WINNIPEG PUBLIC WORKS DEPARTMENT

REDWOOD BRIDGE REHABILITATIVE MAINTENANCE AND RELATED WORKS

EAST ABUTMENT REINFORCING STEEL DETAILS I

CITY DRAWING NUMBER: B113-05-13
 SHEET: 13 OF 74
 REV: 13