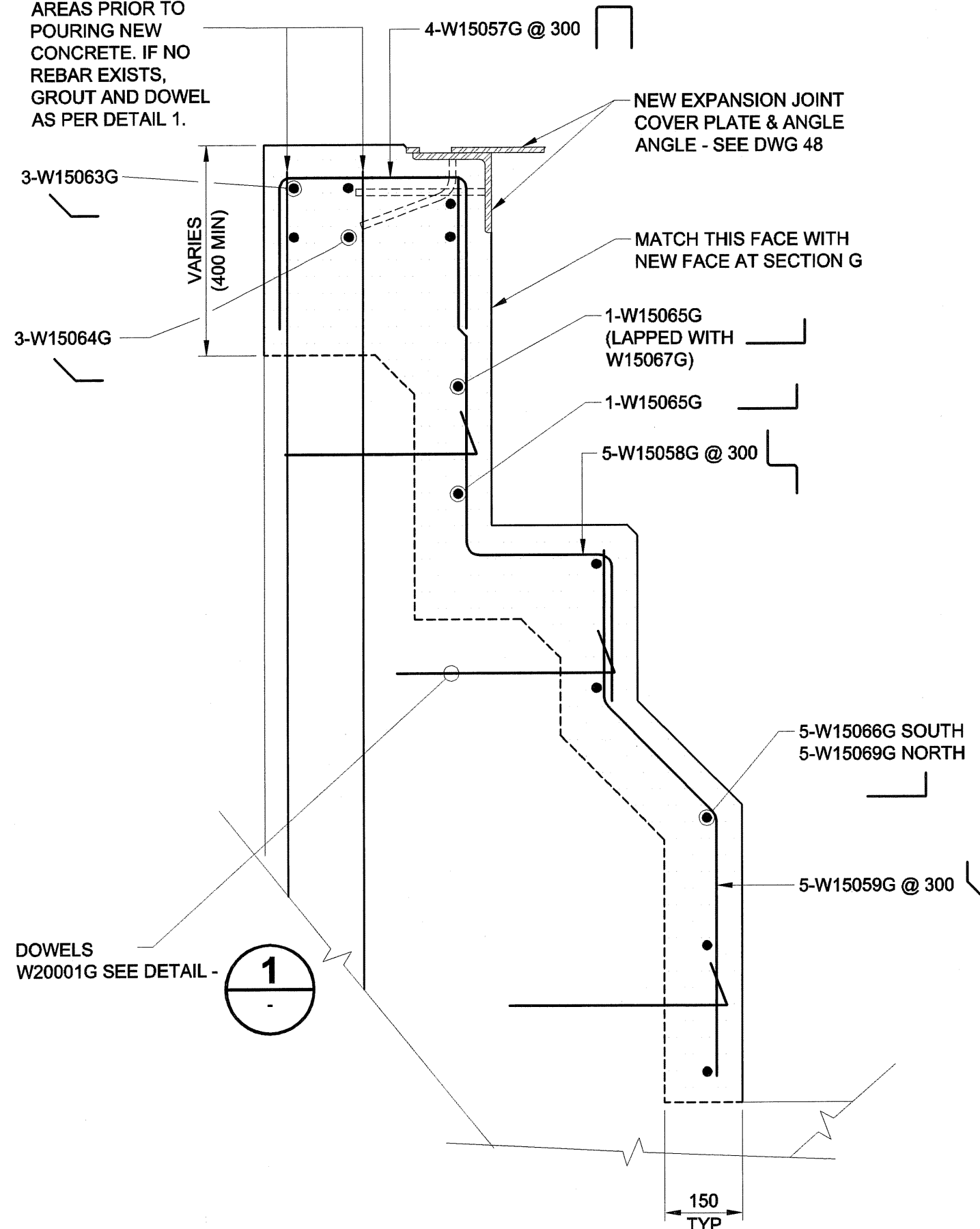
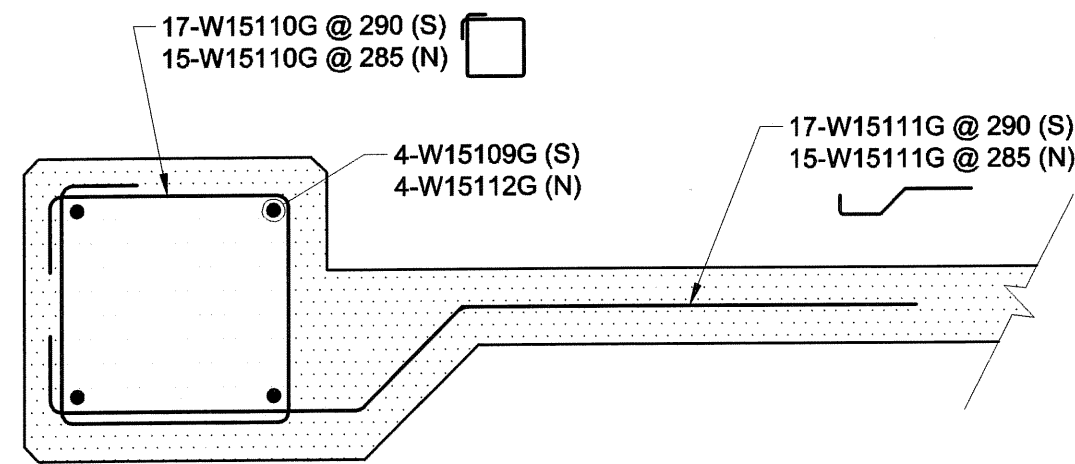


D SIZE 22" x 34" (559mm x 864mm)

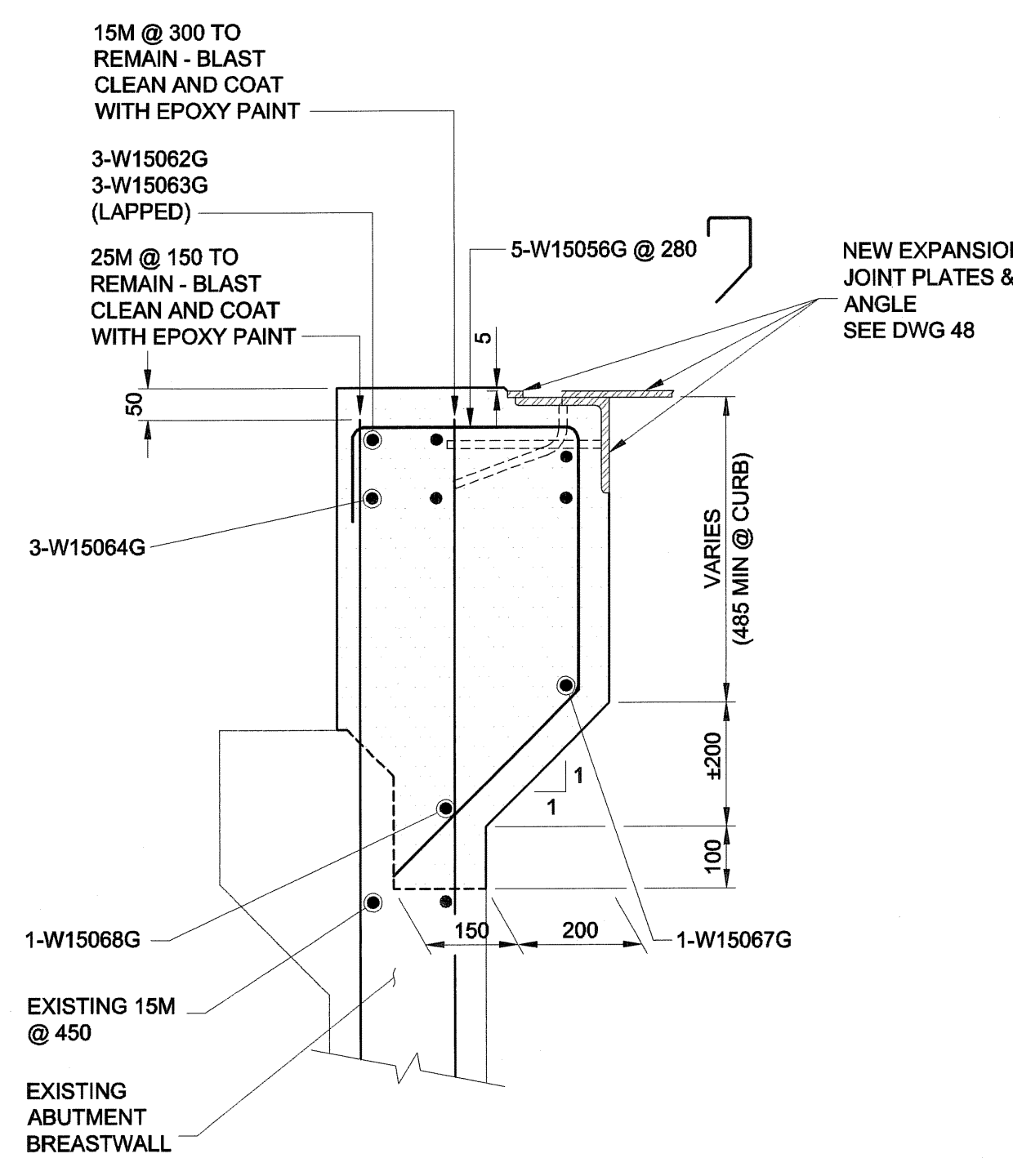
NOTE:
IF REBAR EXISTS,
LEAVE IN PLACE &
CLEAN EXPOSED
AREAS PRIOR TO
POURING NEW
CONCRETE. IF NO
REBAR EXISTS,
GROUT AND DOWEL
AS PER DETAIL 1.



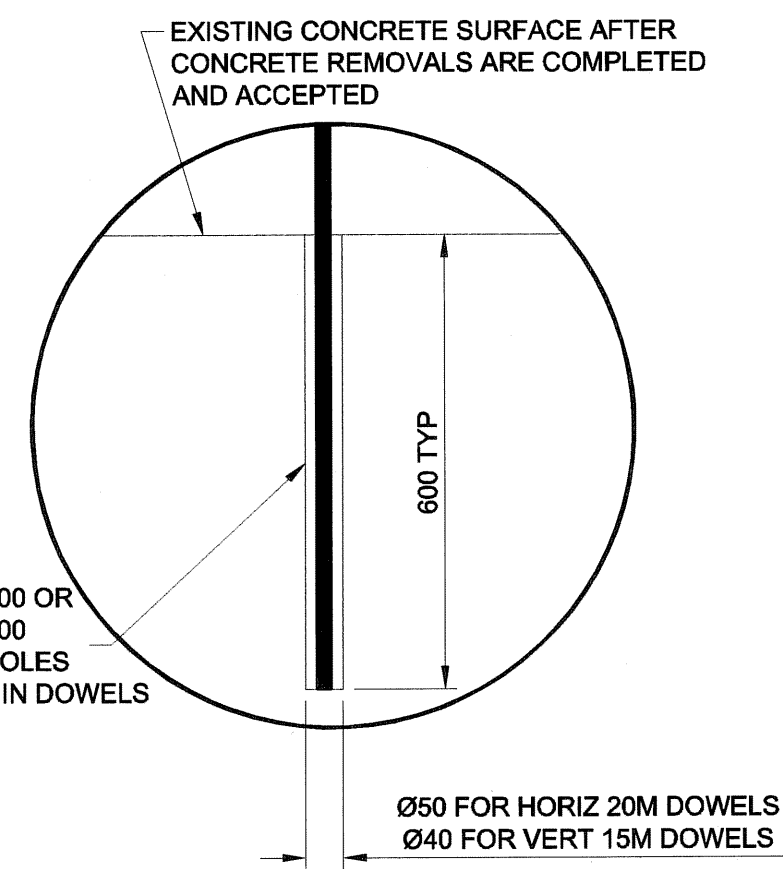
SECTION H
SCALE 1:10
THROUGH SIDEWALK
PROPOSED CONCRETE & REINFORCING
STEEL DETAILS



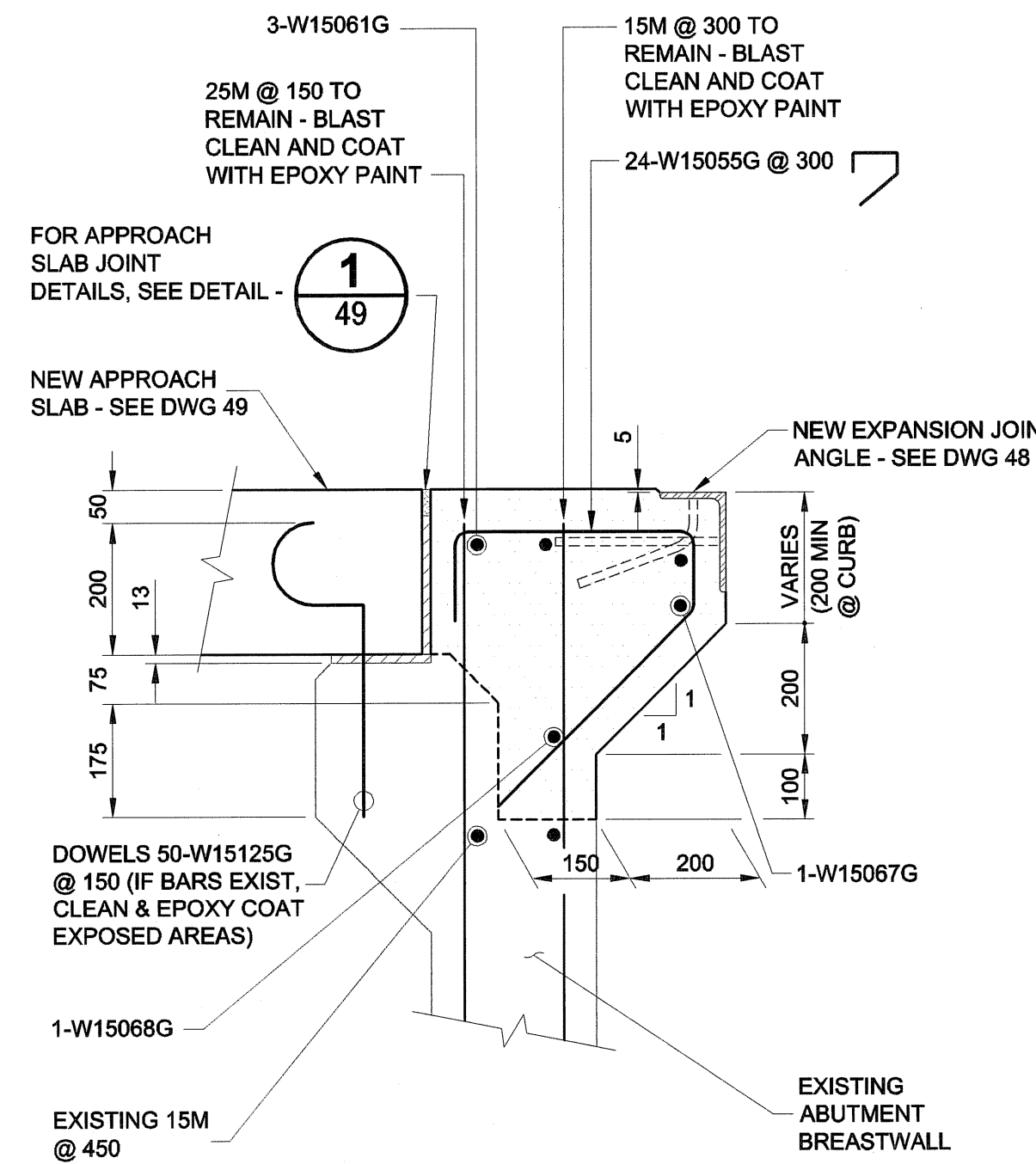
SECTION E
SCALE 1:10
TYPICAL SIDEWALK APPROACH SLAB
REINFORCING STEEL DETAILS



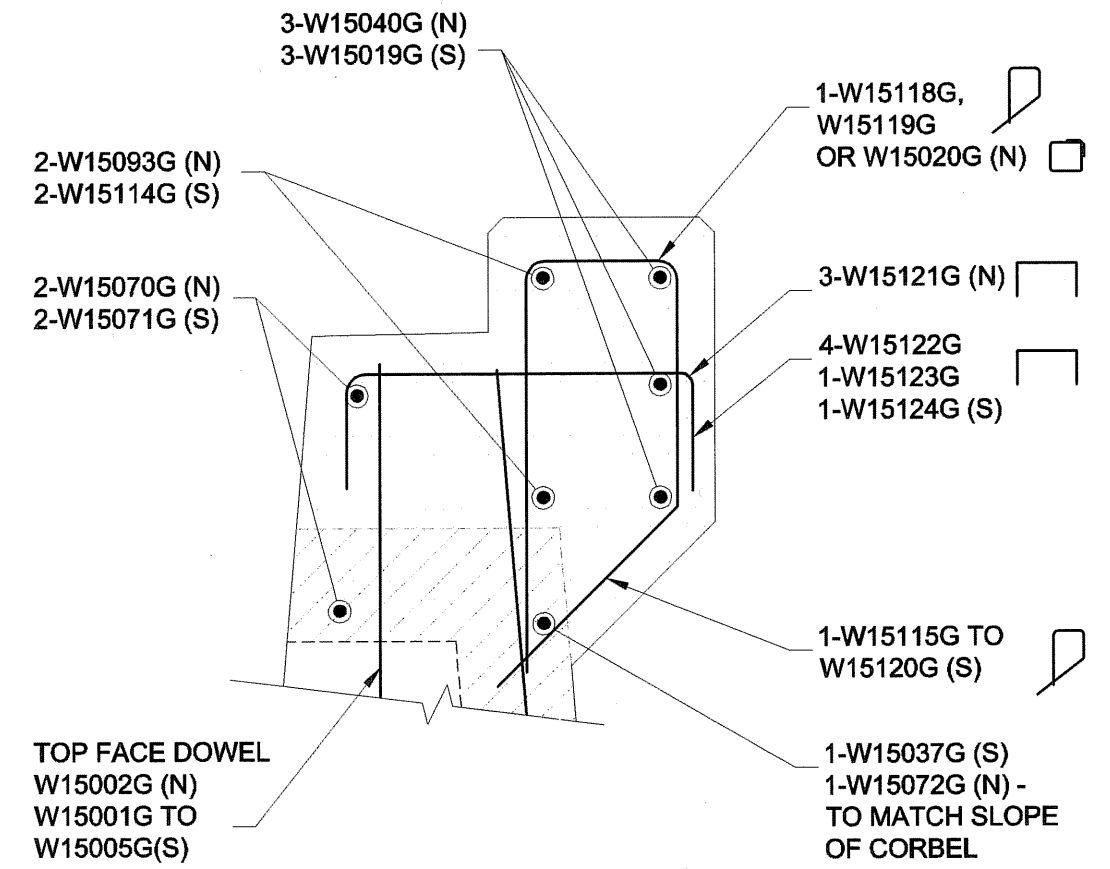
SECTION G
SCALE 1:10
THROUGH SIDEWALK
PROPOSED CONCRETE & REINFORCING
STEEL DETAILS



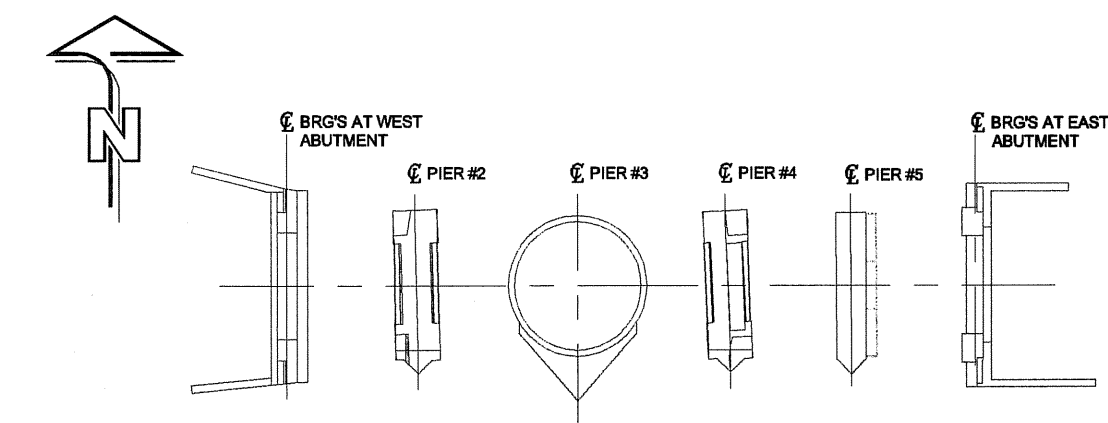
DETAIL 1
SCALE 1:10
TYPICAL DOWEL INSTALLATION



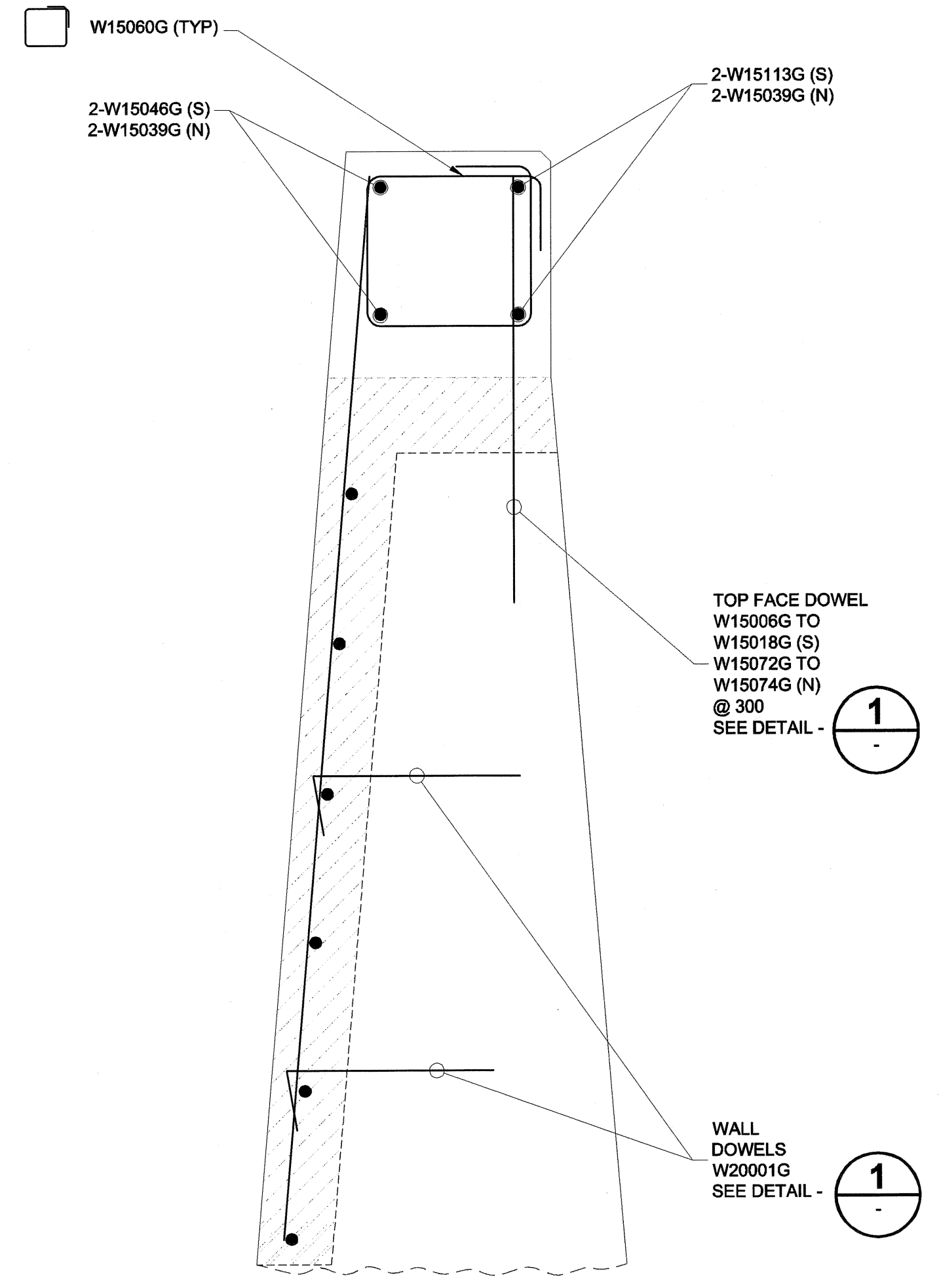
SECTION F
SCALE 1:10
THROUGH ROADWAY
PROPOSED CONCRETE & REINFORCING
STEEL DETAILS



SECTION K
SCALE 1:10
NORTH WINGWALL
REINFORCING DETAILS
SOUTH WINGWALL SIMILAR



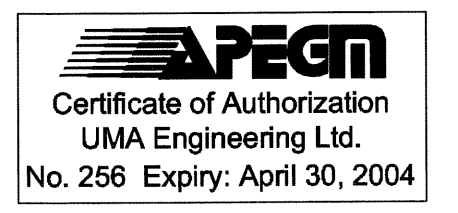
KEY PLAN
SCALE 1:500
SUBSTRUCTURE - ABUTMENTS & PIERS



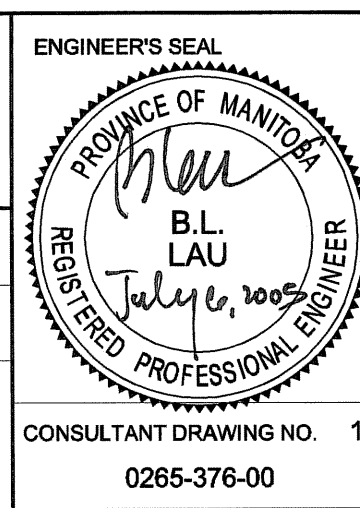
SECTION D
SCALE 1:10
TYPICAL WINGWALL SECTION
REINFORCING DETAILS

NOTE:
ALL DIMENSIONS SHOWN ON THE DRAWINGS ARE BASED ON AVAILABLE INFORMATION AND RECORD DRAWINGS. THE CONTRACTOR SHALL FIELD MEASURE AND VERIFY ALL DIMENSIONS PRIOR TO COMMENCING CONSTRUCTION OR PRIOR TO PREPARATION OF SHOP DRAWINGS. THE CONTRACTOR SHALL MAKE THE APPROPRIATE ADJUSTMENTS TO THE APPLICABLE DETAILS AND DIMENSIONS ACCEPTABLE TO THE CONTRACT ADMINISTRATOR. THE CONTRACTOR SHALL THEN FABRICATE AND CONSTRUCT THE WORKS IN ACCORDANCE WITH THE CORRECTED DIMENSIONS.

METRIC
WHOLE NUMBERS INDICATE MILLIMETRES
DECIMALIZED NUMBERS INDICATE METRES



UMA UMA Engineering Ltd. • Consulting • Engineering • Construction • Management Services	
DESIGNED BY: BLL	CHECKED BY: SBB
DRAWN BY: DL	APPROVED BY: <i>BLL</i>
HOR. SCALE: AS SHOWN	ACCEPTED BY: <i>[Signature]</i>
VERT. SCALE: AS SHOWN	DATE: 2005-07-07
ISSUED FOR CONSTRUCTION: 05/07/05 MP	
NO. REVISIONS: 1 Y/M/MDD BY	



THE CITY OF WINNIPEG PUBLIC WORKS DEPARTMENT

REDWOOD BRIDGE REHABILITATIVE MAINTENANCE AND RELATED WORKS

WEST ABUTMENT REINFORCING STEEL DETAILS II

CITY DRAWING NUMBER: B113-05-10
SHEET: 10 OF 74
REV: 10

CONSULTANT DRAWING NO. 10
0265-376-00

Bid Opportunity 257-2005

PLOT SCALE 1:10
2005-07-07 15:06 P:\0263\355-03\AutoCAD\AS-1\Working Drawings\0263-355-03_01-S-0010_RK.dwg 2005-08-20 10:44am CGC