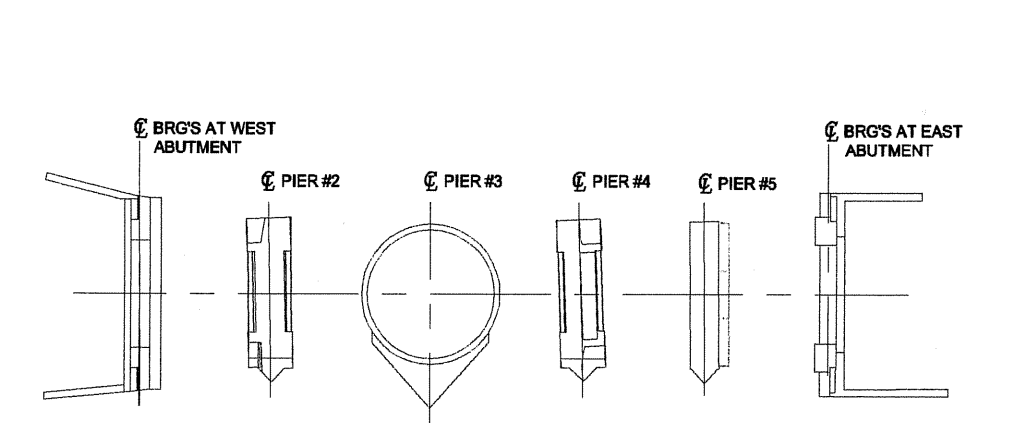
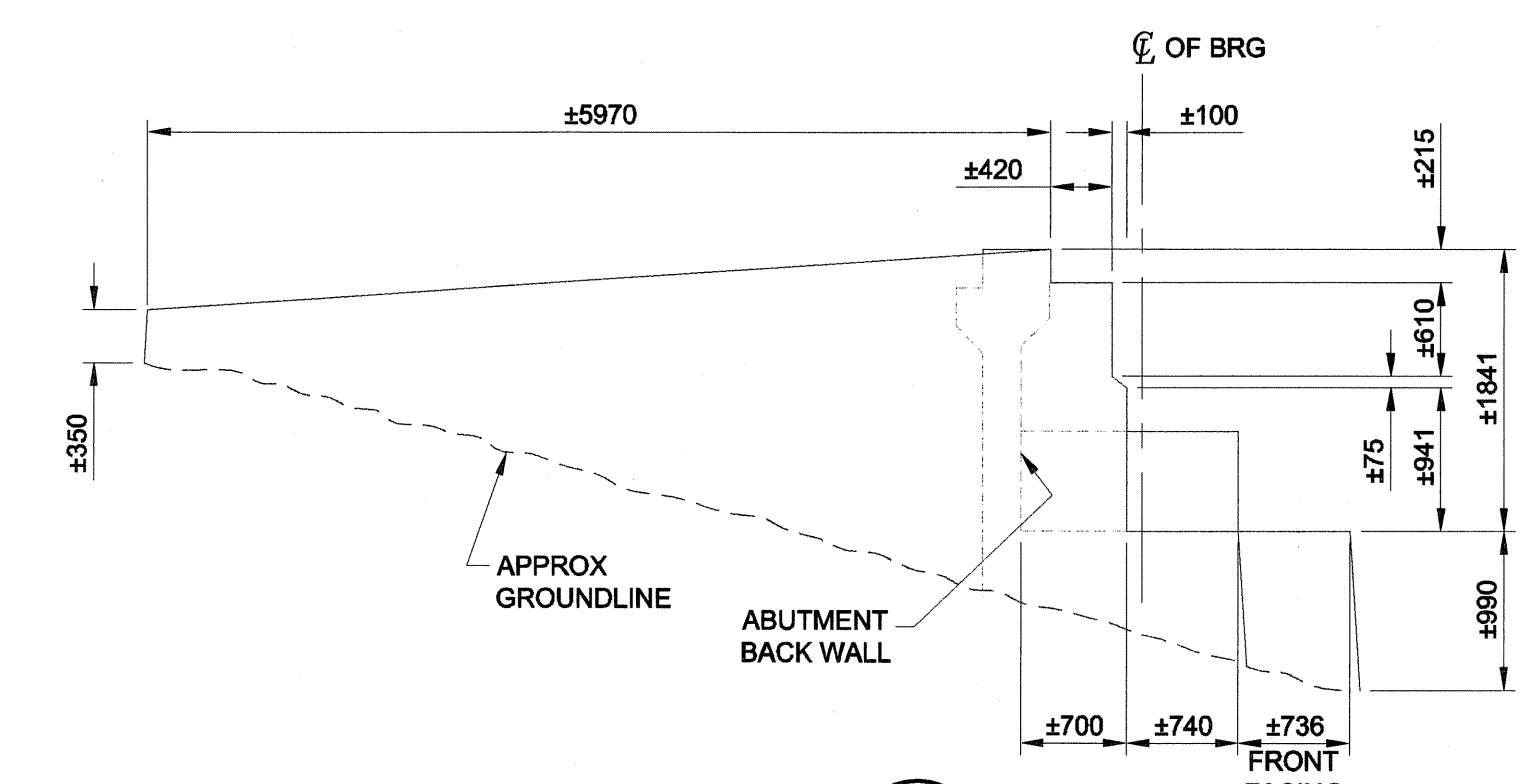
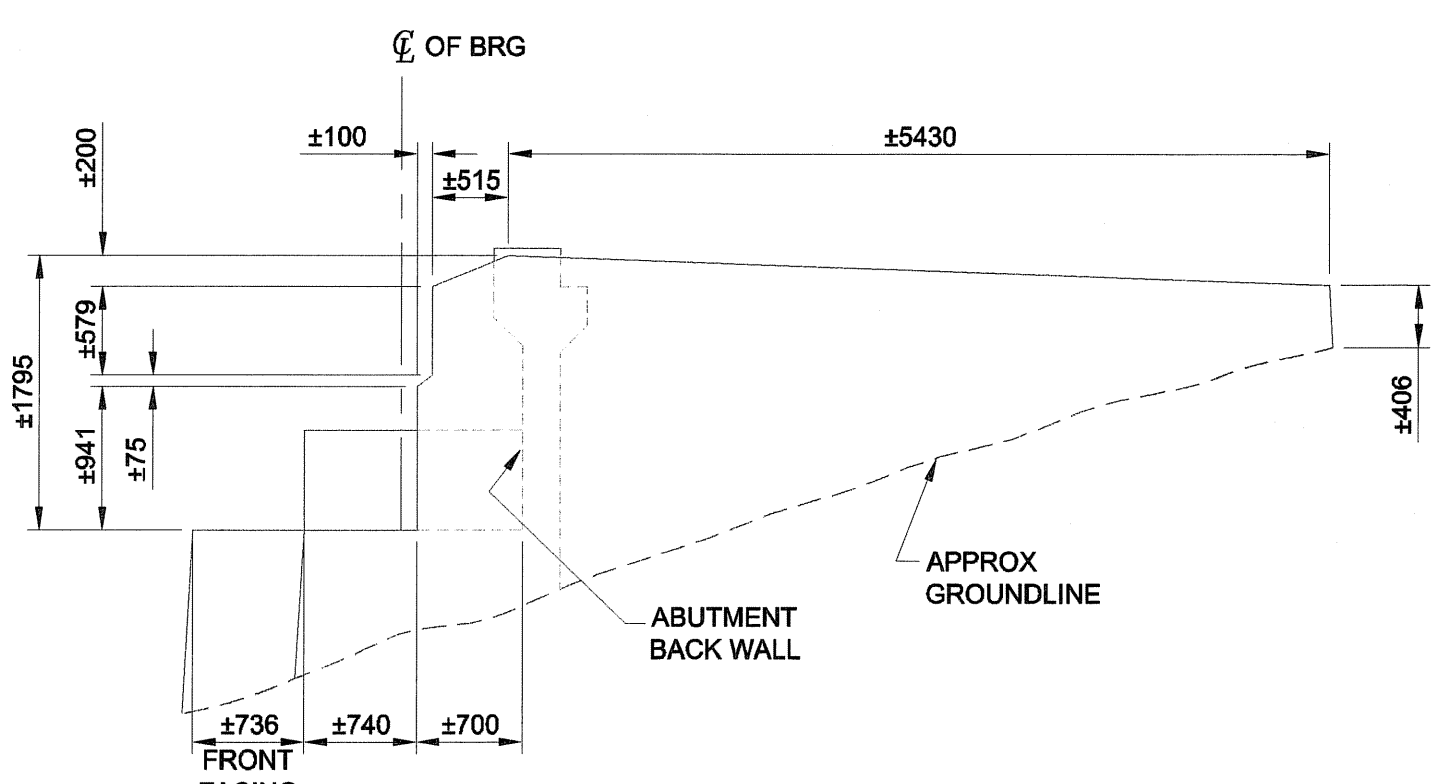
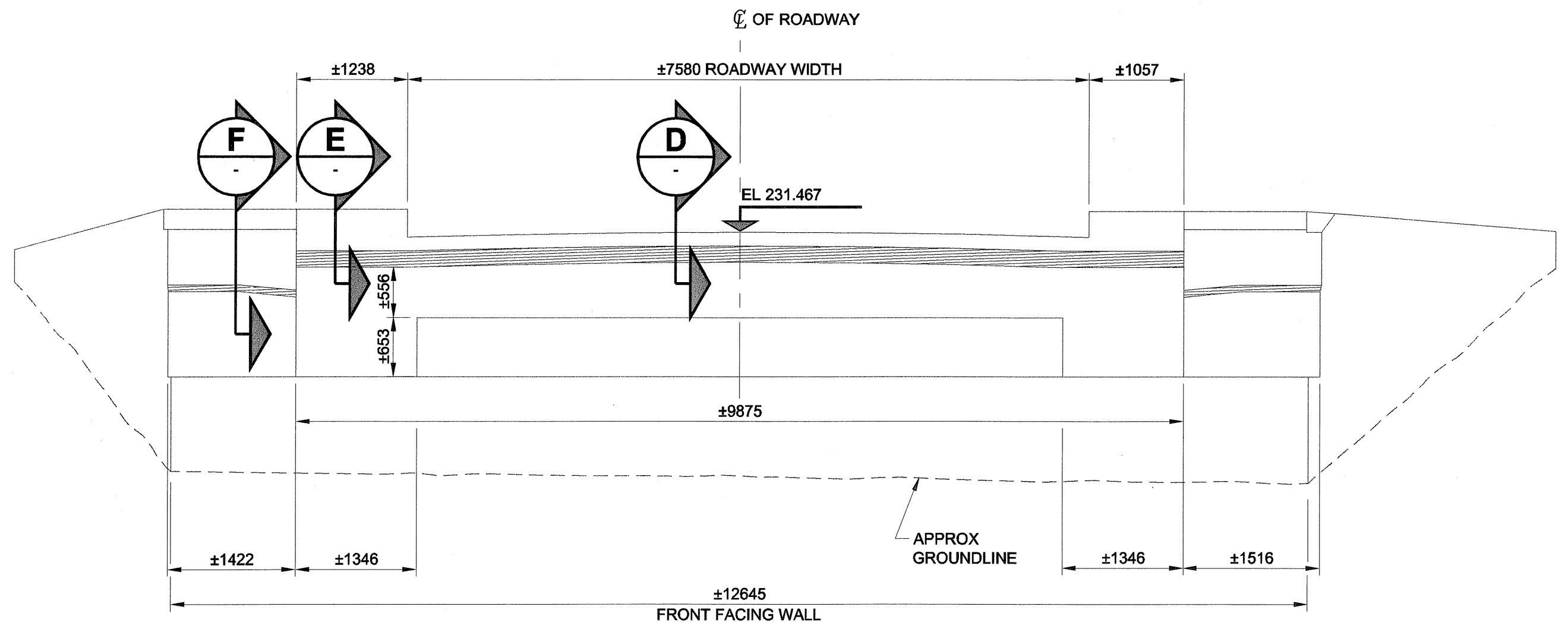
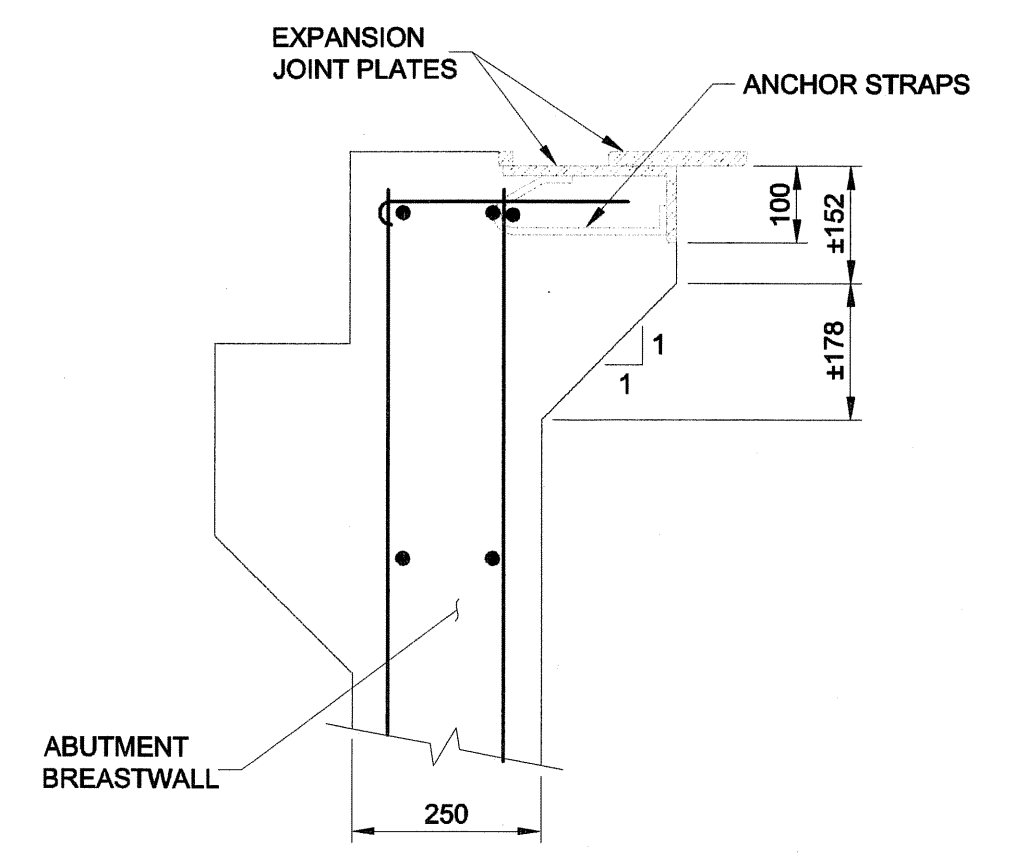
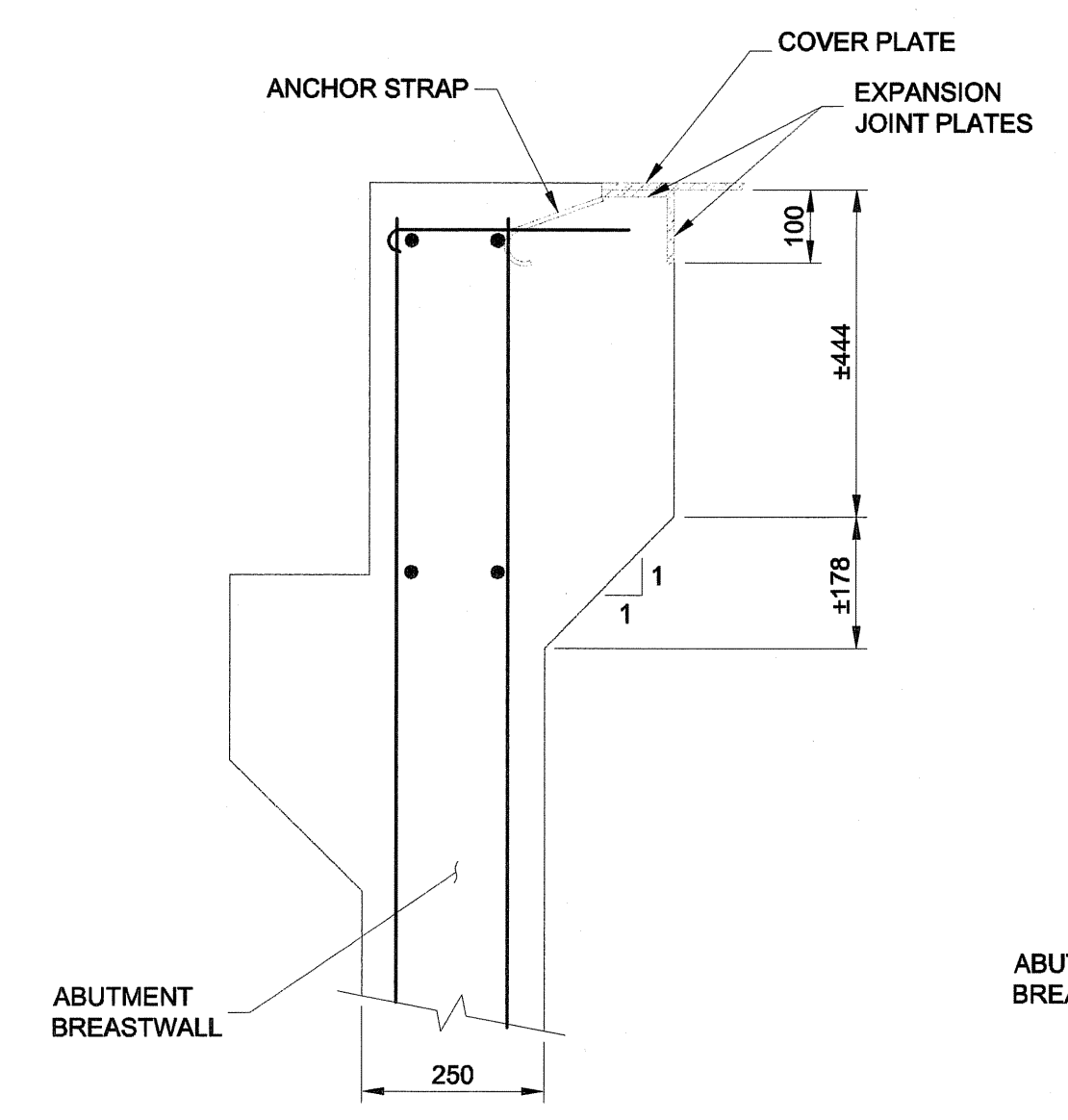
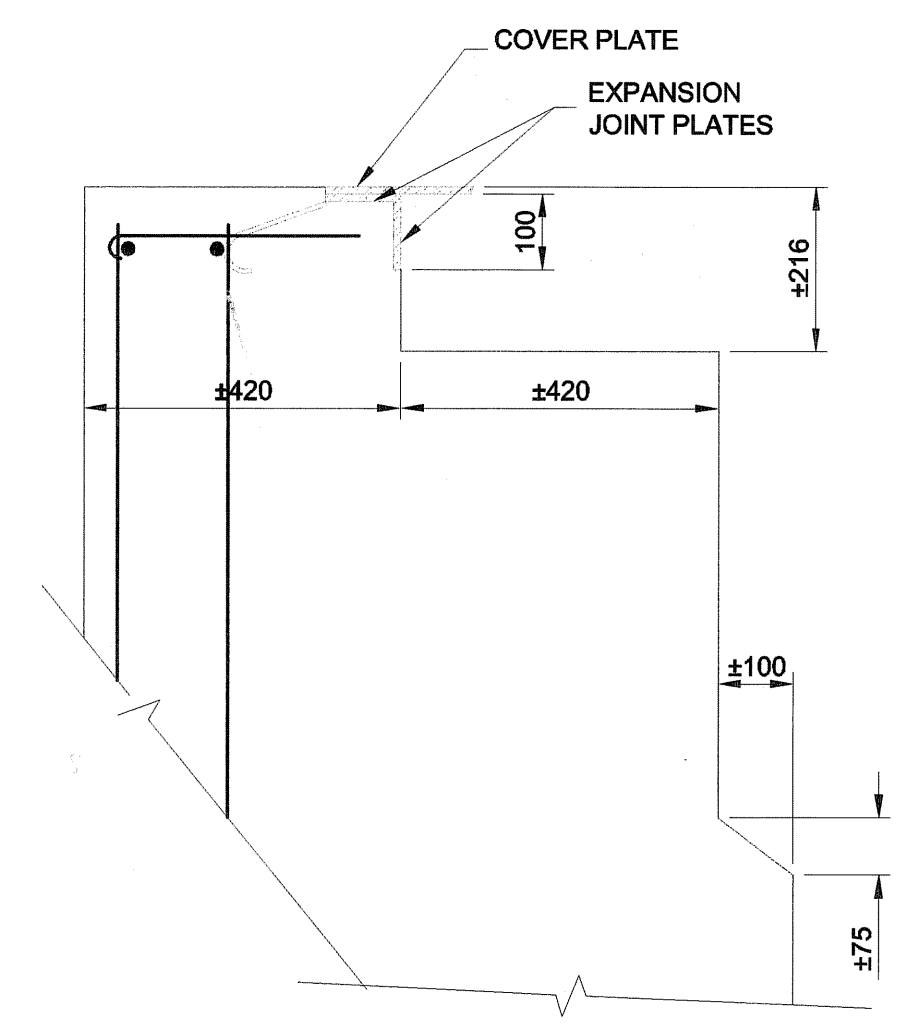
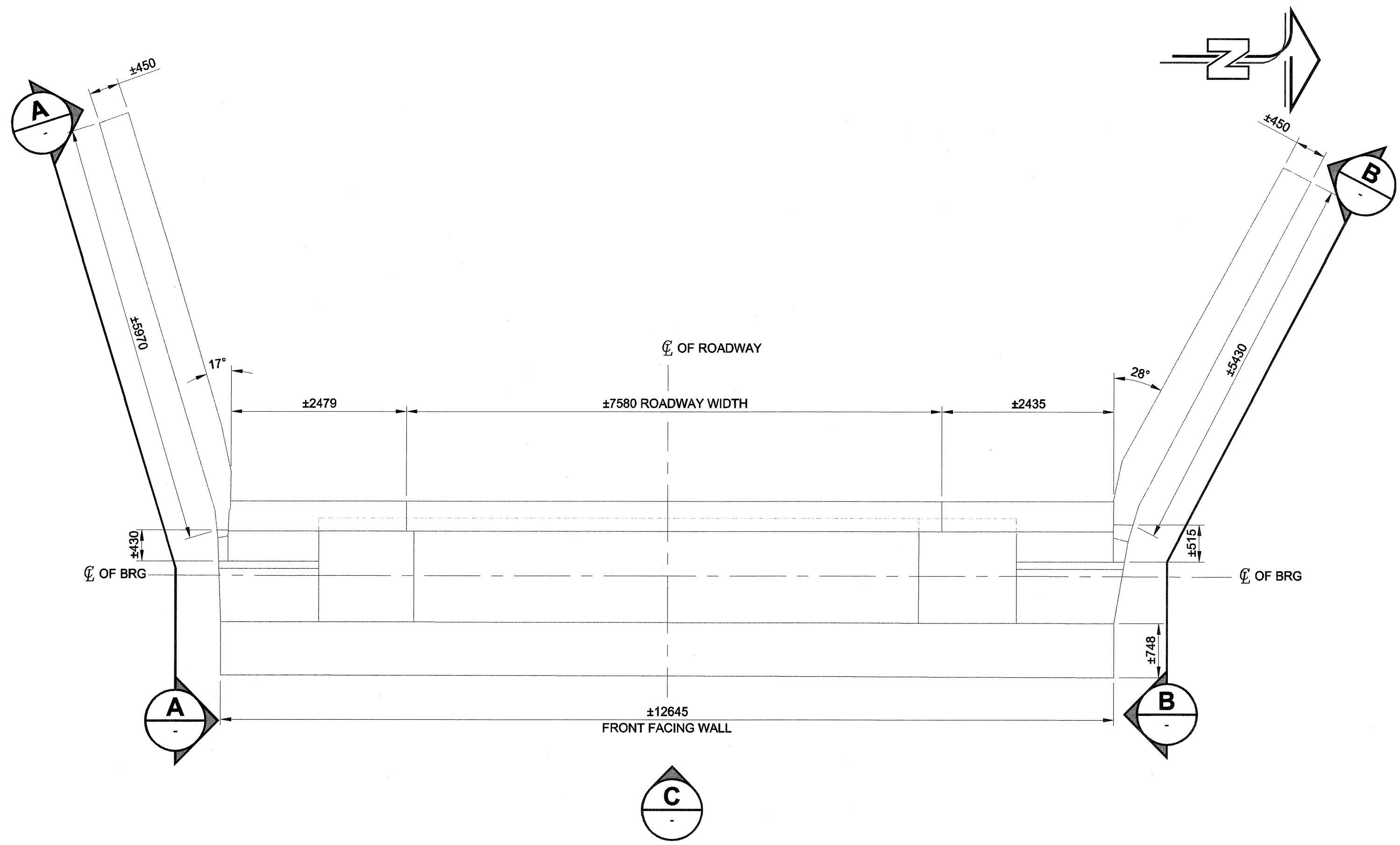


D SIZE 22" x 34" (559mm x 864mm)

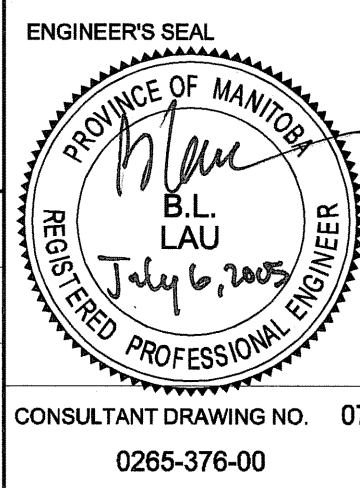


NOTE:
ALL DIMENSIONS SHOWN ON THE DRAWINGS ARE BASED ON AVAILABLE INFORMATION AND RECORD DRAWINGS. THE CONTRACTOR SHALL FIELD MEASURE AND VERIFY ALL DIMENSIONS PRIOR TO COMMENCING CONSTRUCTION OR PRIOR TO PREPARATION OF SHOP DRAWINGS. THE CONTRACTOR SHALL MAKE THE APPROPRIATE ADJUSTMENTS TO THE APPLICABLE DETAILS AND DIMENSIONS ACCEPTABLE TO THE CONTRACT ADMINISTRATOR. THE CONTRACTOR SHALL THEN FABRICATE AND CONSTRUCT THE WORKS IN ACCORDANCE WITH THE CORRECTED DIMENSIONS.

METRIC
WHOLE NUMBERS INDICATE MILLIMETRES
DECIMALIZED NUMBERS INDICATE METRES

APEGM
Certificate of Authorization
UMA Engineering Ltd.
No. 256 Expiry: April 30, 2006

UMA Engineering Ltd. • Consulting • Engineering • Construction • Management Services	
DESIGNED BY: BLL	CHECKED BY: SBB
DRAWN BY: DL	APPROVED BY: <i>BLL</i>
HOR. SCALE: AS SHOWN	ACCEPTED BY: <i>Meind</i>
VERT. SCALE: AS SHOWN	DATE: 2005 07 07
NO. REVISIONS	DATE



THE CITY OF WINNIPEG PUBLIC WORKS DEPARTMENT

REDWOOD BRIDGE REHABILITATIVE MAINTENANCE AND RELATED WORKS

WEST ABUTMENT EXISTING ELEVATIONS, PLANS AND SECTIONS

CITY DRAWING NUMBER: B113-05-07
SHEET: 07 OF 74
REV: 07

Bid Opportunity No. 257-2005

PLOT SCALE: 1:1 AUCAD: 15:06 P:\0265355-03\AutoCAD\05-11 Working Drawings\0265-355-03_01-5-07.dwg 2005-08-20 10:25am CGC