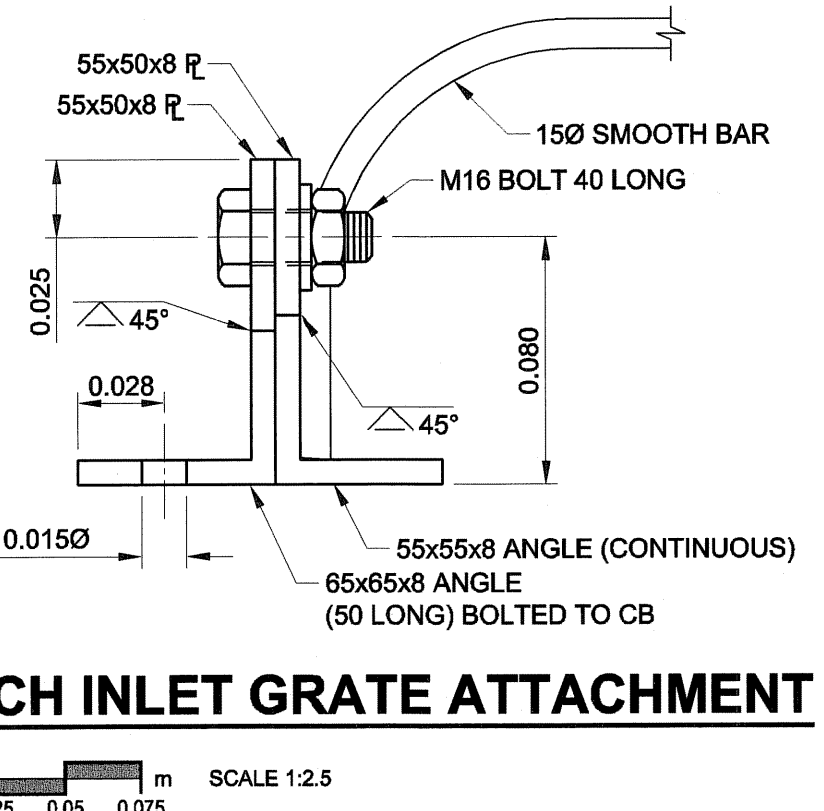
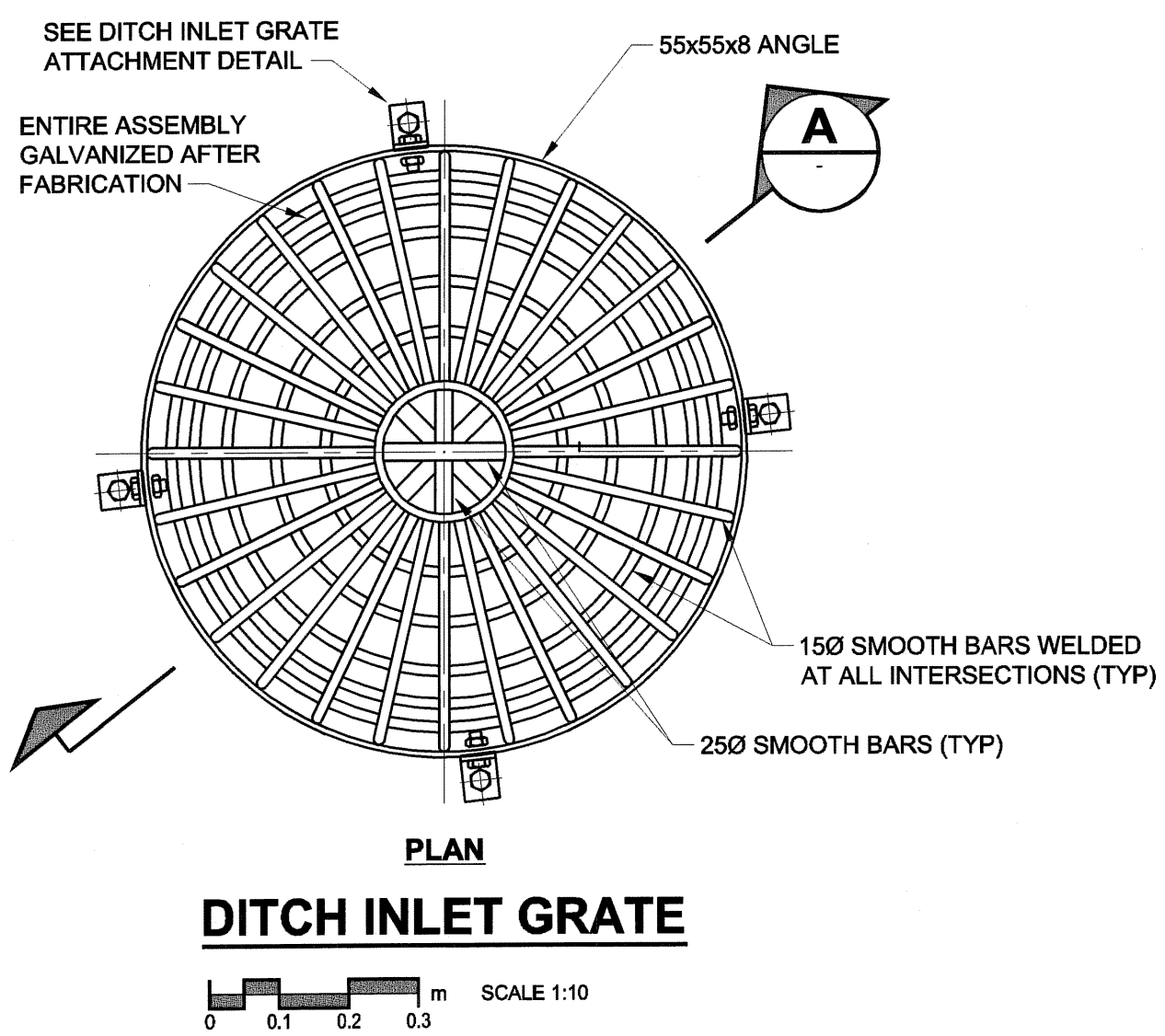
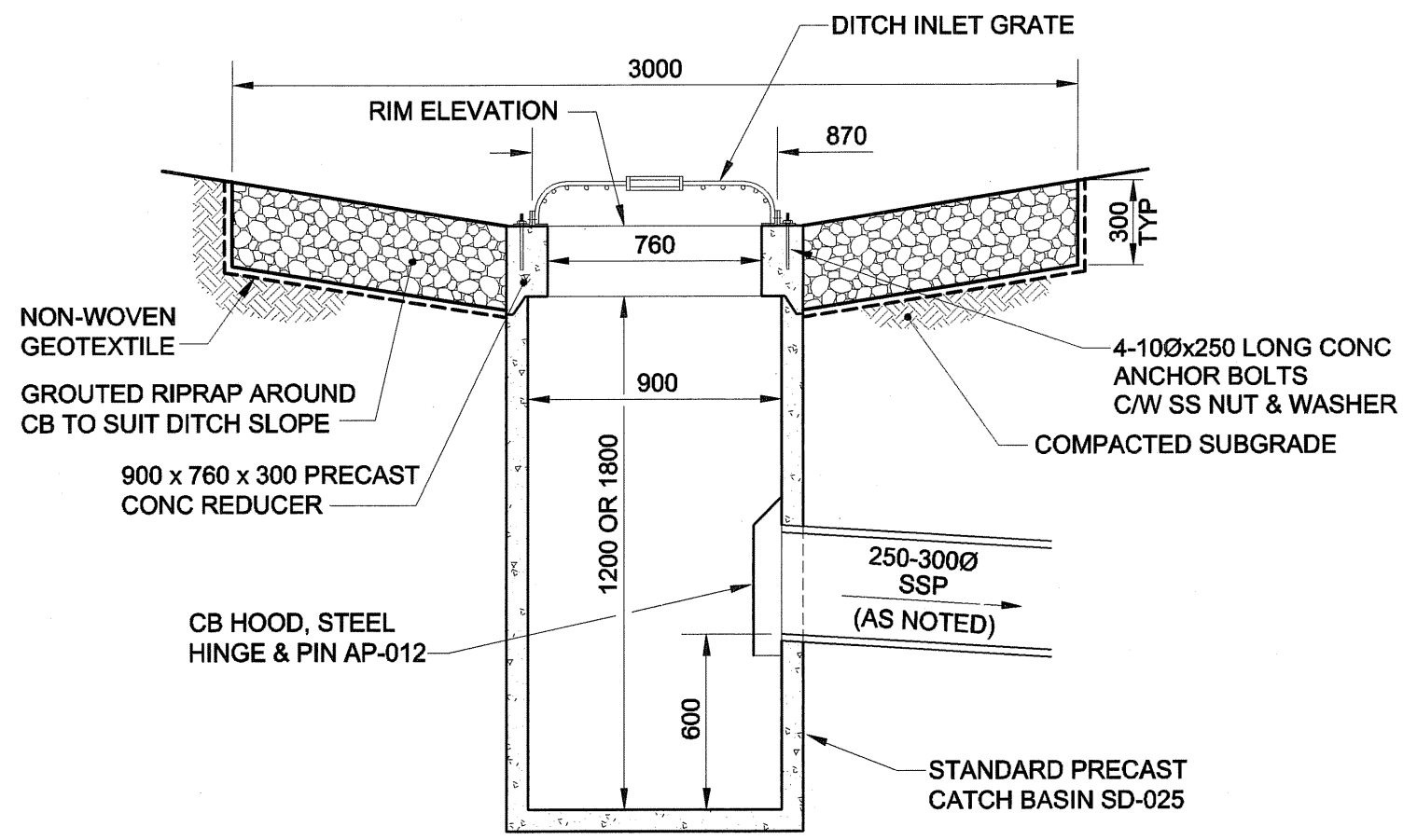
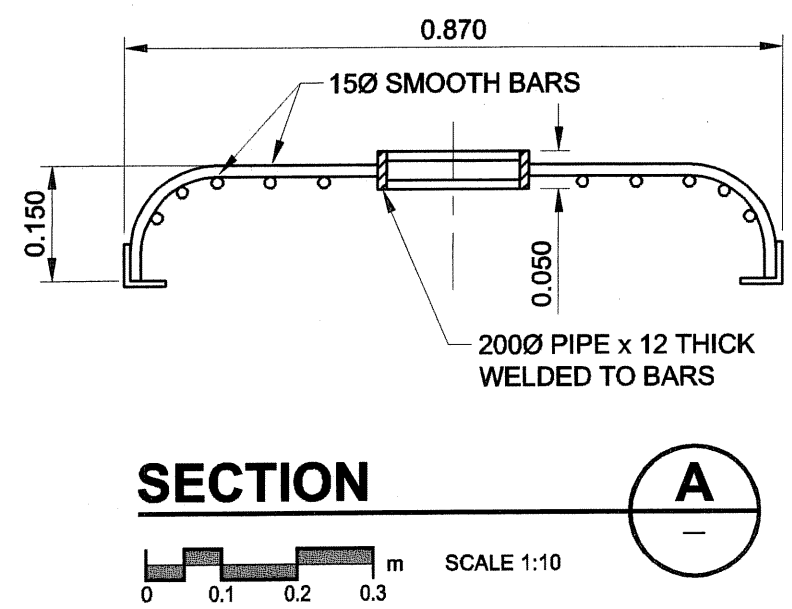
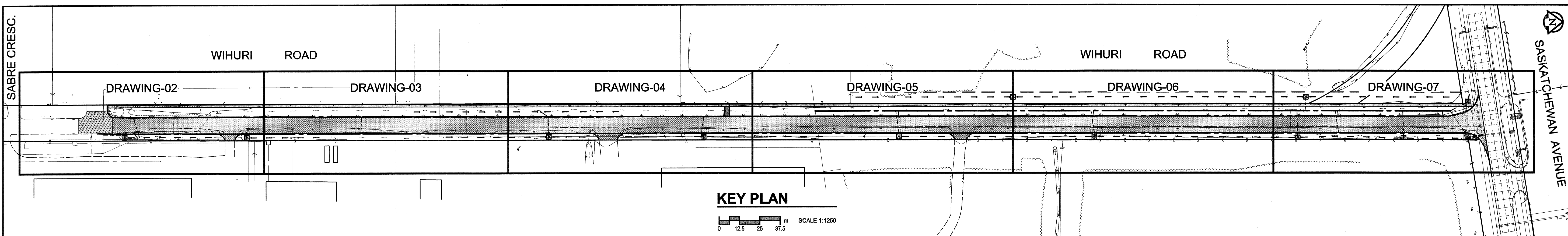


ABBREVIATIONS - GENERAL

ABANDON (ED)	ABAN	CORRUGATED STEEL PIPE	CSP	EXISTING	EXST	ON CENTER	O/C	REINFORCING	REINF
APPROXIMATE	APROX	CURB INLET	CI	FEEDERMAIN	FM	ORIGINAL GROUND	OG	REVISED/REVISION	REV
ASPHALT	ASPH	CURB & GUTTER INLET	C & GI	FENCE	F	OUTSIDE DIAMETER	OD	RIGHT-OF-WAY	ROW
BEGINNING OF CURVE	BC	CRESCENT	CRES	GATE VALVE	GV	PAVEMENT	PAVT	SIDEWALK	SW
BEGINNING OF VERTICAL CURVE	BVC	CROSS SECTION	XSEC	GRAVEL	GRAV	POINT OF COMPOUND CURVE	PCC	STANDARD	STD
BACK OF CURB	BOC	DEGREE	DEG	HIGHWAY	HWY	POINT OF CURVE	PC	STATION	STA
BOTTOM	BOT	DETOUR	DET	HORIZONTAL	HORZ	POINT OF INTERSECTION	PI	STORM RELIEF SEWER	SRS
BOULEVARD	BLVD	DIAMETER	DIA	HYDRANT	HYD	PI OF VERTICAL CURVE	PIVC	STREET	ST
BUILDING	BLDG	DRAWING	DWG	HYDRO	H	POINT OF TANGENT	PT	SWALE	SWL
CATCH BASIN	CB	EAST	E	INVERT ELEVATION	INV. EL	POINT OF VERTICAL INTERSECTION	PVI	TANGENT	TAN
CATCH PIT	CP	EDGE OF PAVEMENT	EOPAVT	IRON BAR	IB	POINT ON CURVE	POC	TAPER	TPR
CENTERLINE	CL	ELEVATION	EL	JUNCTION	JCT	POINT ON REVERSE CURVE	PRC	TRAFFIC SIGNAL	TS
CENTER RADIUS	CTR	END OF CURVE	EC	LAND DRAINAGE SEWER	LDS	POINT ON TANGENT	POT	VERTICAL	VERT
CHECKED	CHKD	END OF TAPER	ET	LENGTH OF VERTICAL CURVE	LVC	POINT ON VERTICAL CURVE	PVC	VERTICAL CURVE	VC
COMBINED SEWER	CS	END OF VERTICAL CURVE	EVC	MANHOLE	MH	PROPERTY LINE	PL	WASTE WATER SEWER	WWS
CONCRETE	CONC	ENTRANCE	ENT	MAXIMUM	MAX	PROPOSED	PROP	WATERMAIN	WM
CONCRETE CURB	CC	EQUALLY SPACED	ES	MONUMENT	MON	RADIUS	R		
COORDINATE	COORD	EXCAVATION	EXC	NORTH	N	REINFORCED CONCRETE	RC		



DRAWING LIST

No.	CITY DWG.No.	REV.	DESCRIPTION
00	N/A	0	COVER SHEET
01	N/A	0	ABBREVIATIONS, KEY PLAN, DRAWING LIST, HORIZONTAL AND VERTICAL CONTROL, DETAILS
02	N/A	0	HORIZONTAL AND VERTICAL ALIGNMENT FROM STA. 0+116 TO STA. 0+230
03	N/A	0	HORIZONTAL AND VERTICAL ALIGNMENT FROM STA. 0+230 TO STA. 0+380
04	N/A	0	HORIZONTAL AND VERTICAL ALIGNMENT FROM STA. 0+380 TO STA. 0+530
05	N/A	0	HORIZONTAL AND VERTICAL ALIGNMENT FROM STA. 0+530 TO STA. 0+695
06	N/A	0	HORIZONTAL AND VERTICAL ALIGNMENT FROM STA. 0+695 TO STA. 0+850
07	N/A	0	HORIZONTAL AND VERTICAL ALIGNMENT FROM STA. 0+850 TO SASKATCHEWAN AVE.

SURVEY BAR-HORIZONTAL CONTROL POINTS-PROJECT COORDINATES					NAD83 DATUM		
CONTROL POINT	LOCATION	NORTHING	EASTING	ELEVATION	NORTHING	EASTING	ELEVATION
#1	On W. PL. of Wihuri Rd. 23.576m N. of CL of Sabre Cresc.	1000.000	1000.000	236.527	5528457.124	625455.640	-
#2	On W.P.L. of Wihuri Rd.	1385.605	1000.000	237.225	5528842.412	625468.447	-
#3	On N.P.L. of Saskatchewan Ave. 8.952m W. of W. PL. Wihuri Rd.	1896.377	994.760	236.700	5529352.987	625480.101	-

NOTE: THE PROJECT DRAWINGS HAVE A SCALE FACTOR OF 1.000219 APPLIED TO LBS INFORMATION TO MATCH LOCAL PROJECT COORDINATES

GEODETIC BENCH MARK-VERTICAL CONTROL POINTS		
GBM.	LOCATION	ELEVATION
39-035	W. side Wihuri Rd. & S. of Sabre Cresc. in C.F.B Winnipeg, Tbit. in E. Conc. foundation of Bldg. known as Cinema, S. of Westwin Curling Rink, 0.5m S. & 0.2m below brick of N.E. Corner of Bldg.	236.740

LOCATION APPROVED UNDERGROUND STRUCTURES		BM 39-035 ELEV 236.740m
SUPR. U/G STRUCTURES	DATE	
COMMITTEE		
NOTE: LOCATION OF UNDERGROUND STRUCTURES AS SHOWN ARE BASED ON THE BEST INFORMATION AVAILABLE. BUT NO GUARANTEE IS GIVEN THAT ALL EXISTING UTILITIES ARE SHOWN OR THAT THE GIVEN LOCATIONS ARE EXACT. CONFIRMATION OF EXISTENCE AND EXACT LOCATION OF ALL SERVICES MUST BE OBTAINED FROM THE INDIVIDUAL UTILITIES BEFORE PROCEEDING WITH CONSTRUCTION.		
NO.	REVISIONS	Y/M/M/D/D BY

DESIGNED BY		CHECKED BY	
JGK			
DRAWN BY		APPROVED BY	
DID			
HOR. SCALE		VERT. SCALE	
1:250		AS SHOWN	
DATE		DATE	
05/08/08		JUNE 7/2005	

PROFESSIONAL'S SEAL

CONSULTANT DRAWING NO. 01
0285-370-00

THE CITY OF WINNIPEG
PUBLIC WORKS DEPARTMENT
ENGINEERING DIVISION

WIHURI ROAD
PETER AVENUE TO SASKATCHEWAN AVENUE
NEW TRANSPORTATION FACILITY
ROAD CONSTRUCTION, LAND DRAINAGE SEWER,
AND ASSOCIATED WORKS
ABBREVIATIONS, KEY PLAN, DRAWING LIST,
HORIZONTAL AND VERTICAL CONTROL, DETAILS

CITY DRAWING NUMBER: N/A
SHEET 1 OF 7
DRAWING NO. 01
REV 0

APEGM
Certificate of Authorization
UMA Engineering Ltd.
No. 256 Expiry: April 30, 2006

BID OPPORTUNITY NO. 225-2005