

1  
L3

**WADING POOL PLAN VIEW**

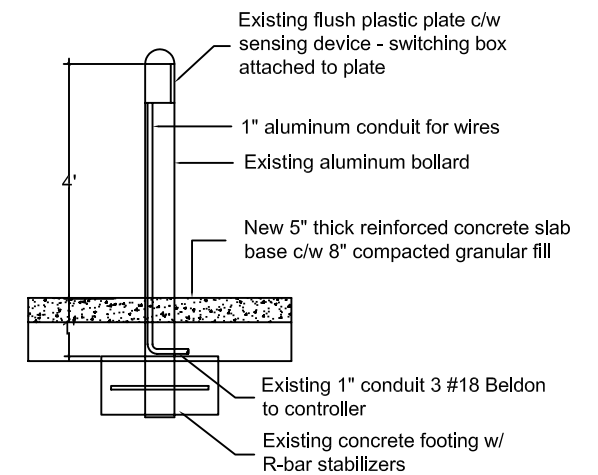
SCALE: 1/8" = 1' - 0"

**GENERAL NOTES:**

1. All field dimensions shall be checked and verified by the Contractor prior to starting construction.
2. Contractor shall confirm the location of all subgrade services prior to starting any excavation.
3. Excavate all topsoil, loose or swelling soils under to the new construction to the Contract Administrator's satisfaction.
4. Excavate soil below all new concrete surfaces and replace with a minimum 8 inches of compacted granular fill. Granular fill to be completed to 98% modified proctor density.
5. All construction joint locations shall be approved by the Contract Administrator.


**CONCRETE:**

1. All concrete shall be 25 MPa, with 5% air entrainment. Apply a steel trowel finish to all surfaces.
2. Contractor shall order slump, cylinder and air testing for each concrete pour. Cost for concrete testing shall be paid by the City of Winnipeg, Building Services Division.



**SECTION THRU EXISTING BOLLARD**

SCALE: NOT TO SCALE

NO.	DESCRIPTION	DATE	BY
REVISIONS / ISSUE			
<p><b>THE CITY OF WINNIPEG</b></p>  <p>PUBLIC WORKS DEPARTMENT BUILDING SERVICES DIVISION 100 MAIN STREET, MAIN FLOOR WPG, MB. R3C 1A4</p>			
PROJECT:			
REPLACEMENT OF WADING POOL BASIN MAGNUS ELIASON RECREATION CENTRE 430 LANGSIDE STREET, WINNIPEG, MANITOBA BID OPPORTUNITY NO. 223-2005			
SHEET TITLE:			
POOL PLAN VIEW			
ENG. STAMP	PROJECT NO.	DRAWN BY:	CHECKED BY:
		L.M.C.	
APPROVED BY:			
SCALE:		DATE:	
AS NOTED		APRIL, 2005	
DWG. NO.			REV.
<b>L1</b>			