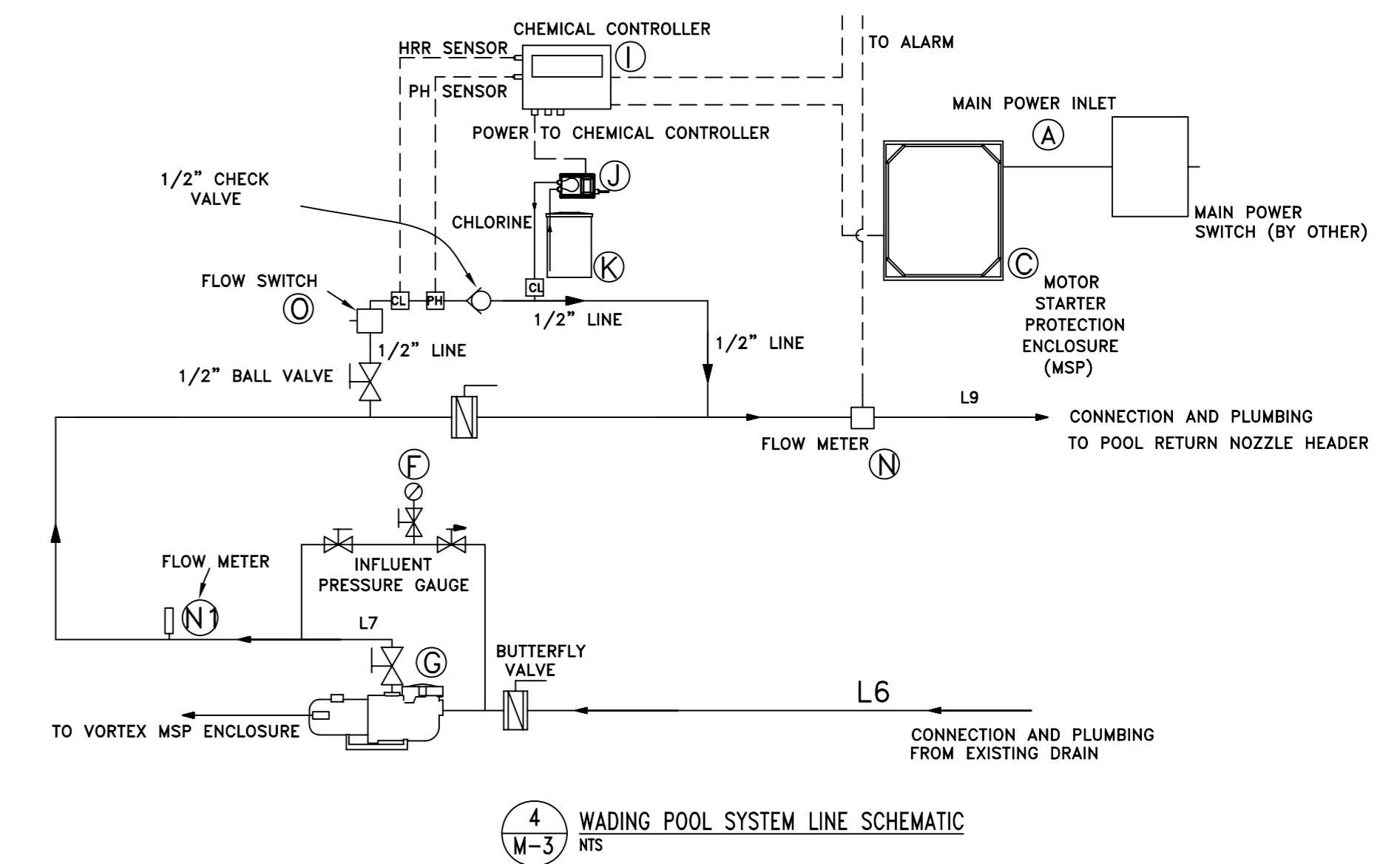
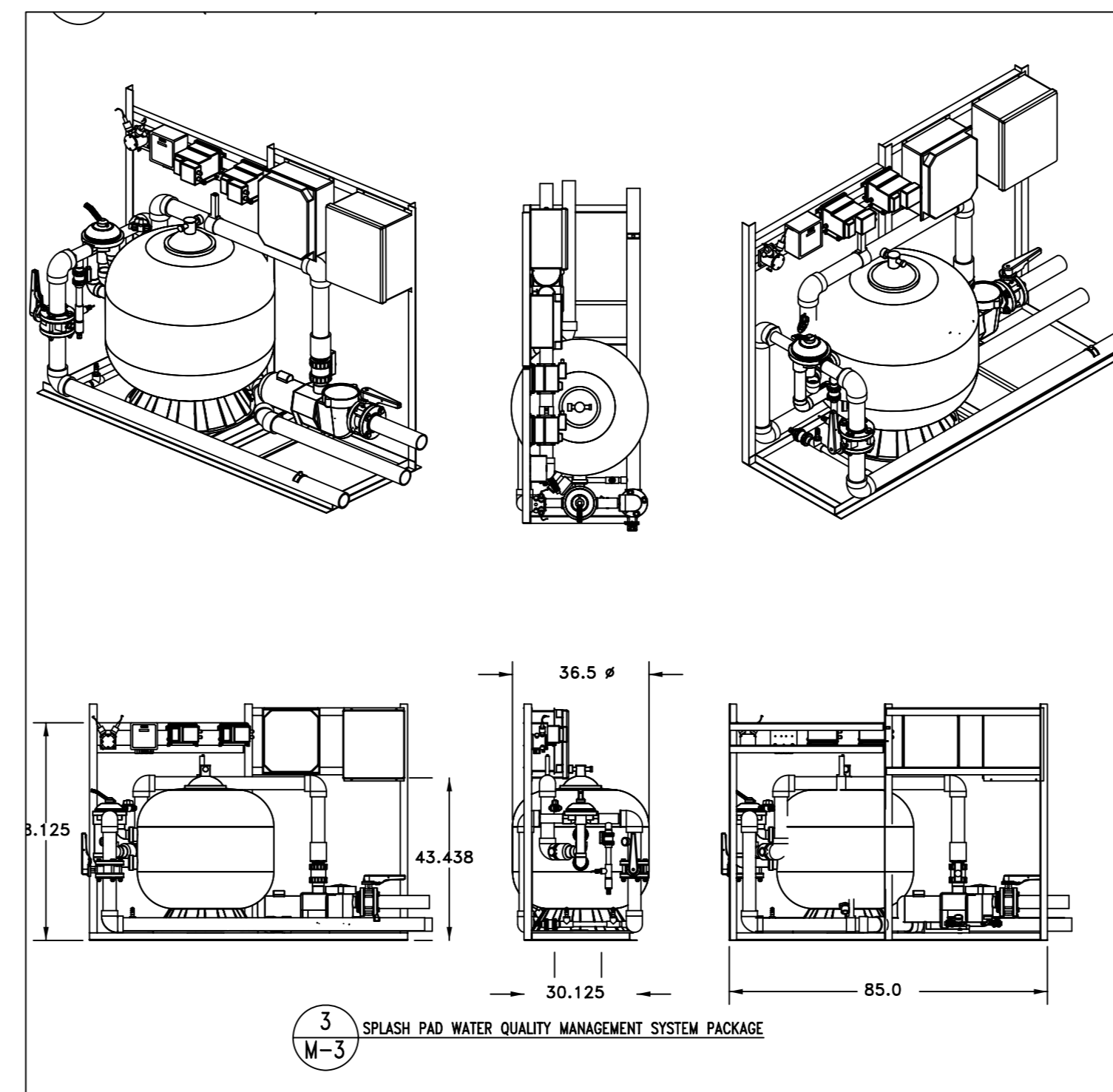
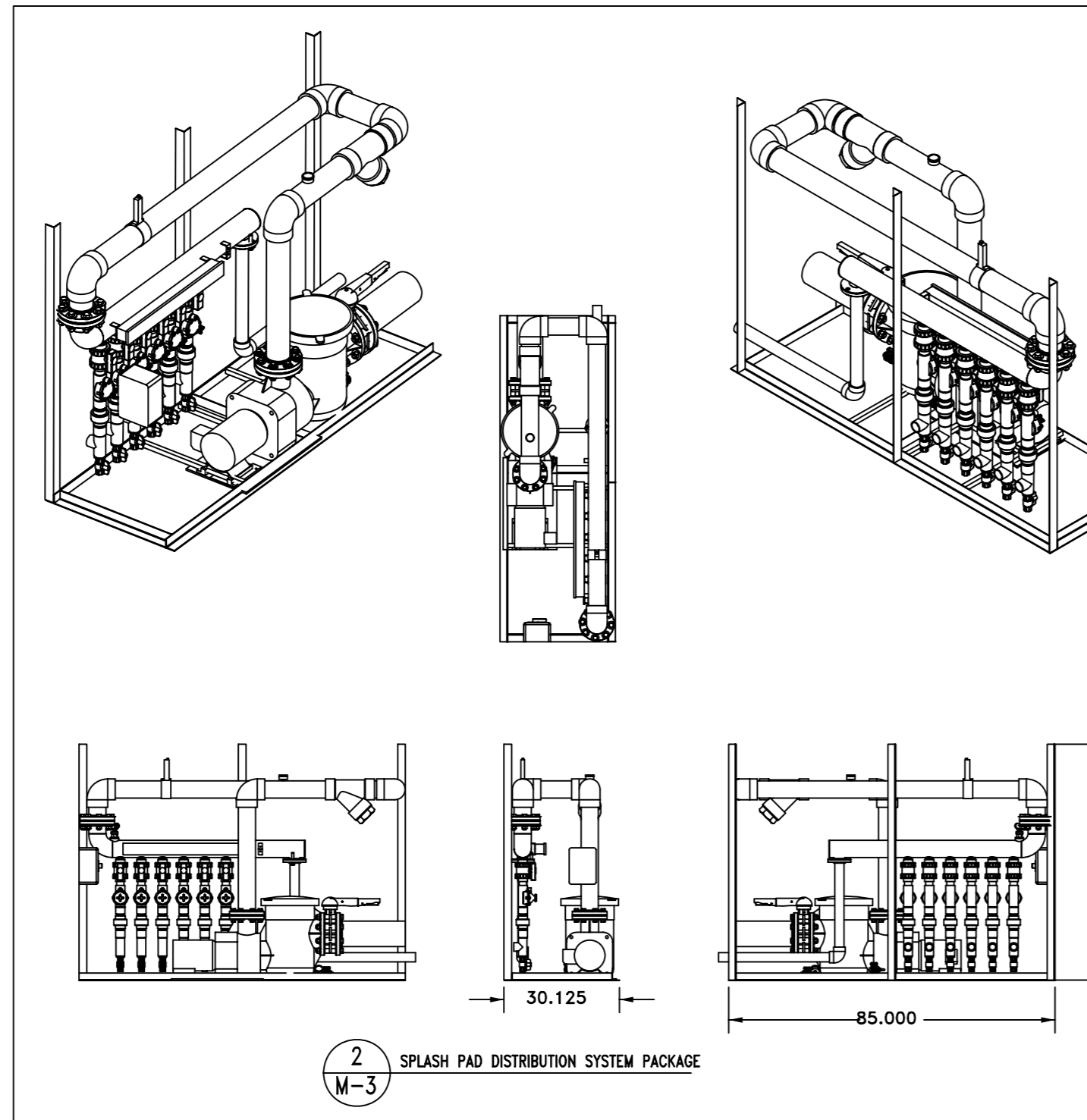
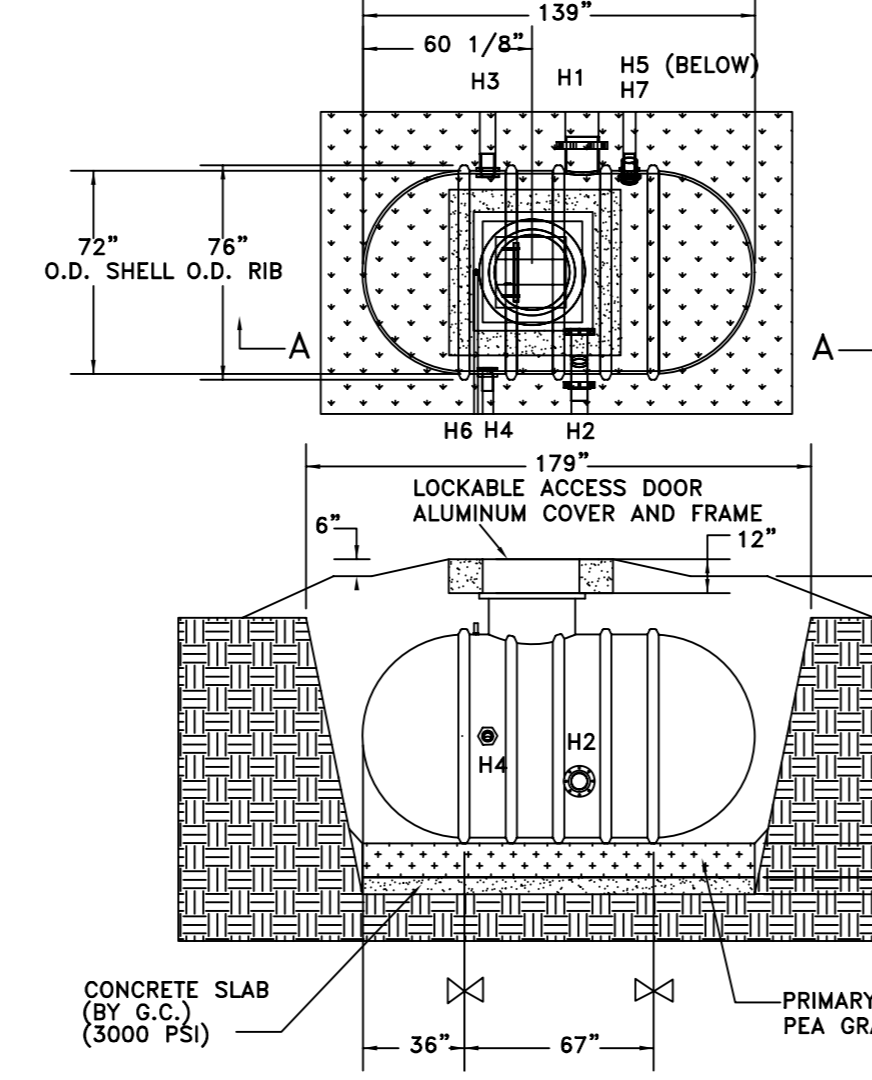


Item	Provided by	Description	QTY.
<b>SPLASH PAD WATER QUALITY MANAGEMENT AND DISTRIBUTION SYSTEM SPECIFICATIONS</b>			
<b>GENERAL</b>			
MAIN ELECTRICAL POWER	OONTRACTOR	240 V AC, 60 AMPS, SINGLE PHASE	1
SPLASHPAD SYSTEM CONTROL	VORTEX	TOUCH SCREEN INTERFACE 10 OUTPUT CONTROLLER, FREWED TO ALL SKID MOUNTED COMPONENTS. USER PROGRAMMABLE OPERATIONAL HOUR TIME CLOCK AND SPLASHPAD SPRAY SEQUENCES. INCLUDES FACTORY PRESET SPRAY SEQUENCES EQUIPMENT AND ALARM FAILSAFE.	1
MOTOR STARTER PROTECTION ENCLOSURE	VORTEX	MOTOR STARTERS AND OVERLOAD RELAYS. INDIVIDUAL CONTROL FOR EACH PUMP.	1
SKID FRAME	VORTEX	STAINLESS STEEL CONSTRUCTION. PLAY PRODUCT - 30" W X 61" H X 85" L. FILTRATION - 36" W X 60" H X 85" L. 4 VALVE DISTRIBUTION MANIFOLD, PRE WIRED TO ALL SOLENOIDS AND BALL VALVES WITH MANIFOLD DRAIN.	1
WATER DISTRIBUTION MANIFOLD	VORTEX	4 VALVE DISTRIBUTION MANIFOLD, PRE WIRED TO ALL SOLENOIDS AND BALL VALVES WITH MANIFOLD DRAIN.	1
<b>WATER QUALITY MANAGEMENT SYSTEM</b>			
COMPOUND GAUGE	WINTERS INSTRUMENTS	COMPOUND GAUGE, 0-30" Hg (0-40 PSI)	1
FILTRATION PUMP	PENTAIR	3 HP, SELF PRIMING PUMP, 230/160, 120GPM @ 60 FT. HD. NSF CERTIFIED, C/W "SOFT START". WADING POOL HAS WFX-12	1
SAND FILTER	PENTAIR	7.06 SQ. FT. 106 GPM @ 160 PMSO FT. 38" DIAMETER. INCLUDED, NSF CERTIFIED, WADING POOL DOES NOT HAVE A FILTER OR RELATED ACCESSORIES.	1
CHEMICAL CONTROLLER	STRANTRON SYSTEM 3	HRR AND PH CONTROL WITH OUT OF RANGE ALARM, NSF CERTIFIED.	1
CHEMICAL INJECTION	BLUE/WHITE IND. UP TO 36GPD FEED CAPACITY, NSF CERTIFIED.		2
CHEMICAL RESERVOIR	VORTEX	DOUBLE WALL 50 GAL. POLYETHYLENE TANK, 26" DIA. X 37" H. NSF CERTIFIED.	2
INFLUENT PRESSURE GAUGE	WINTERS INSTRUMENTS	PRESSURE GAUGE, 0-60 PSI	1
EFFLUENT PRESSURE GAUGE	WINTERS INSTRUMENTS	PRESSURE GAUGE, 0-60 PSI	1
FLOW METER	BLU/WHITE FHX320K4	DIGITAL FLOW SENSOR	1
FLOW SWITCH	HARW. INSTRUMENTS	FLOW SWITCH, 24V	1
FLOW METER	BLU/WHITE F-300 SERIES	3" PIPE FLOW METER, 40-140 GPM READING	2
<b>DISTRIBUTION SYSTEM</b>			
COMPOUND GAUGE	WINTERS INSTRUMENTS	COMPOUND GAUGE, 0-30" Hg (0-40 PSI)	1
CIRCULATION PUMP	PENTAIR, EQK-500	5 HP, SELF PRIMING PUMP, 115/160 120 GPM @ 10 FT. HD. NSF CERTIFIED, C/W SOFT START	1
COMPOUND GAUGE	WINTERS INSTRUMENTS	PRESSURE GAUGE, 0-60 PSI	1
Y-STRAINER	IPEX	4" PLIC STRAINER WITH 40 MESH BASKET	1
FLOW METER	BLU/WHITE F-300 SERIES	4" PIPE FLOW METER, 125-500 GPM READING	1

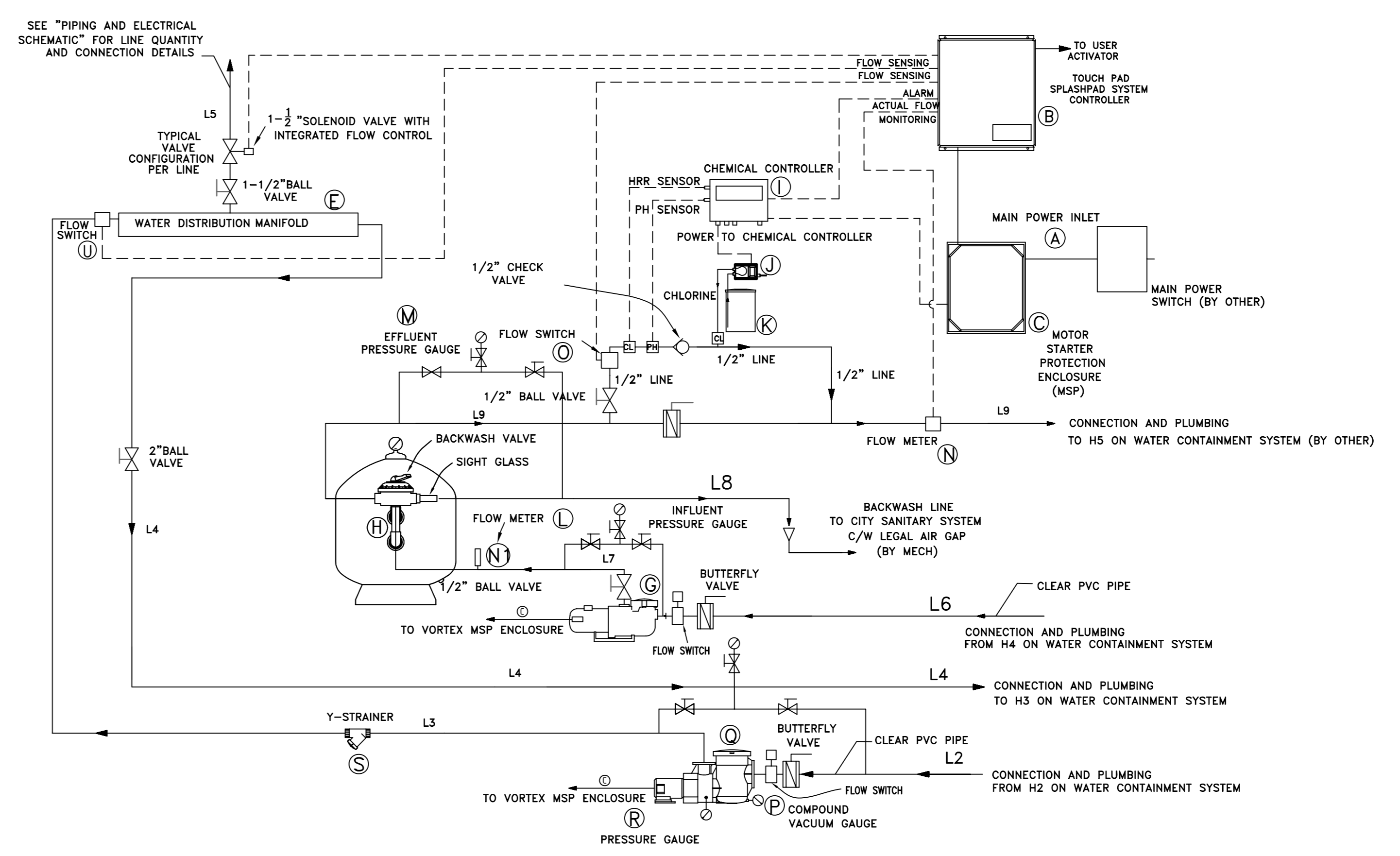
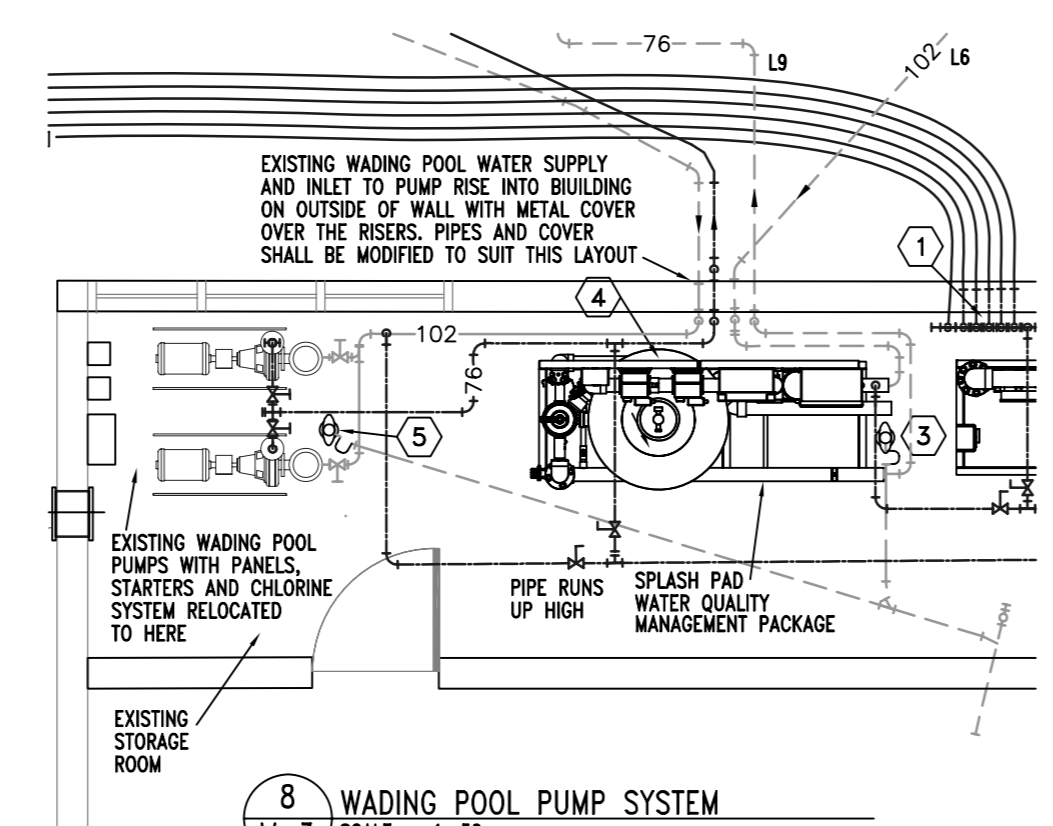
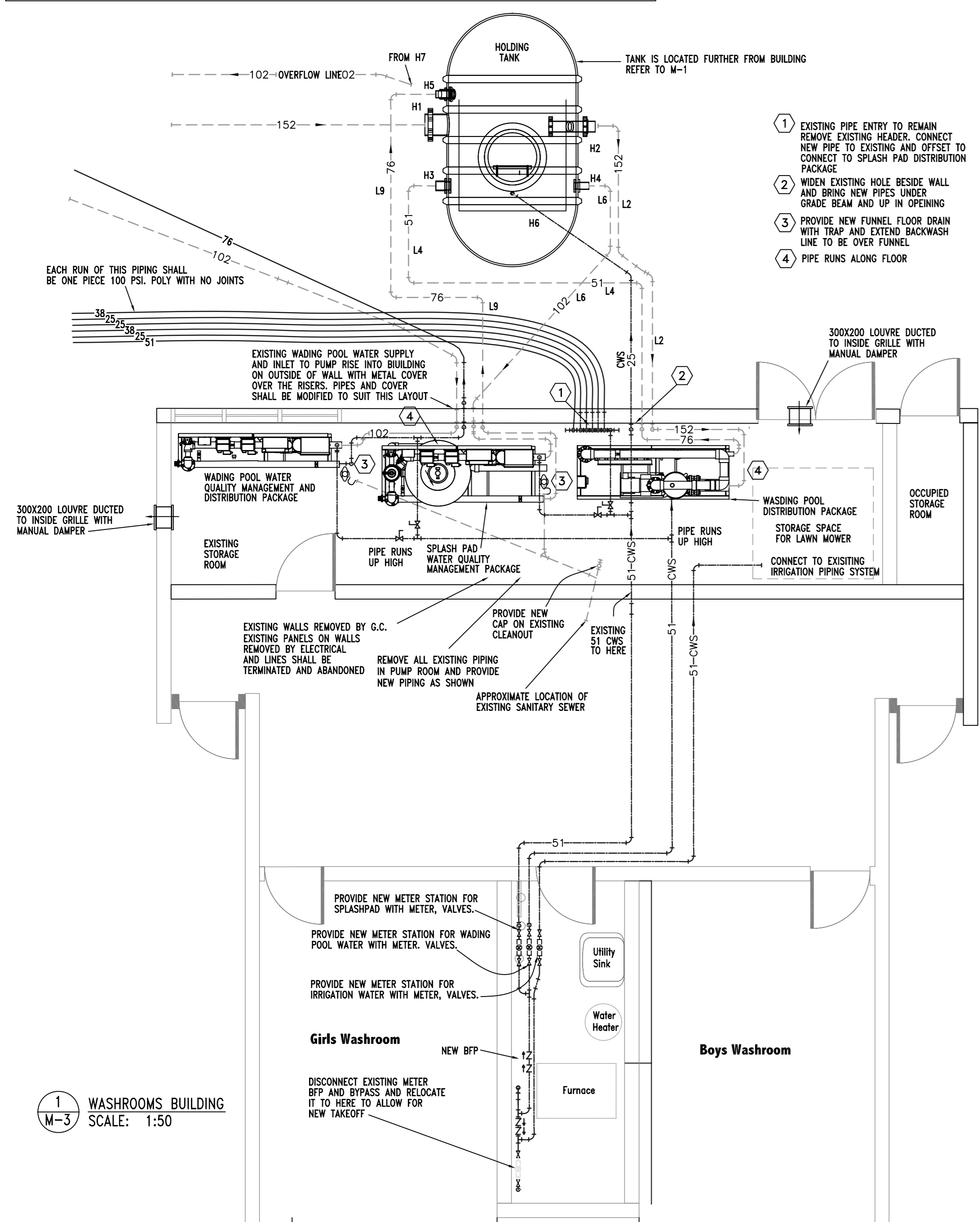
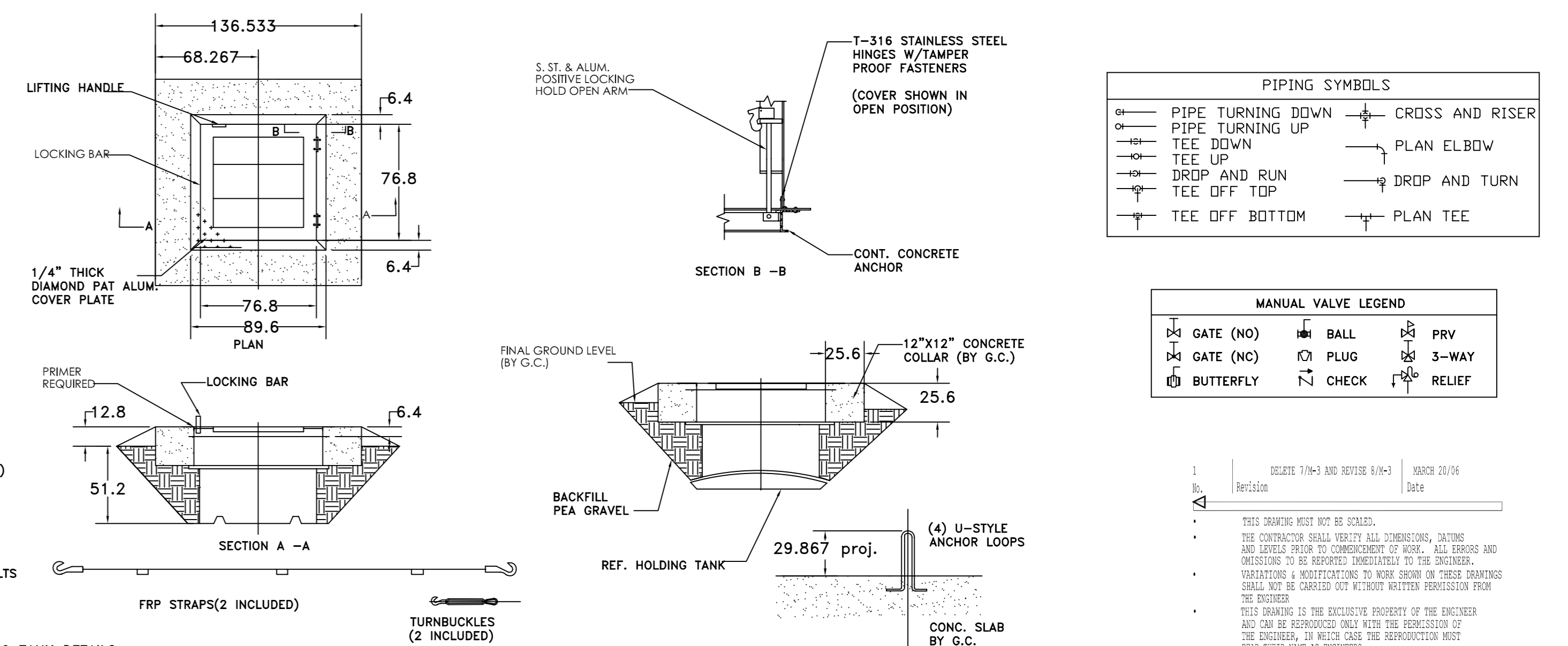


LINE SIZE CONNECTION CHART				
By	From	To	Item	Size
VORTEX	PLAY PRODUCT PUMP Q	WATER DISTRIBUTION MANIFOLD E	L3	4"
VORTEX	FILTRATION PUMP G	SAND FILTER H	L7	3"
BY MECH. SUB.	DECK DRAIN, 8" OUTLET	WATER CONTAINMENT SYSTEM H1	L1	12"
BY MECH. SUB.	WATER CONTAINMENT SYSTEM H2	PLAY PRODUCT PUMP Q	L2	6"
BY MECH. SUB.	WATER DISTRIBUTION MANIFOLD E	WATER CONTAINMENT SYSTEM H3	L4	2"
BY MECH. SUB.	WATER DISTRIBUTION MANIFOLD E	PLAY PRODUCTS	L5	SEE DRWG.
BY MECH. SUB.	WATER CONTAINMENT SYSTEM H4	FILTRATION PUMP G	L6	4"
BY MECH. SUB.	SAND FILTER H	SANITARY SEWER SYSTEM	L8	3"
BY MECH. SUB.	SAND FILTER H	WATER CONTAINMENT SYSTEM H5	L9	3"
BY MECH. SUB.	CITY WATER MAIN	WATER CONTAINMENT SYSTEM H6	L10	1"
BY MECH. SUB.	WATER CONTAINMENT SYSTEM H7	SANITARY SEWER SYSTEM	L11	4"

NOTE:  
 1. 1" POLYPROPYLENE FLOAT VALVE IS PRESENT ON FRESH WATER INLET, WITH 6" AIR GAP.  
 2. HOLDING TANK INTERIOR IS SUITABLE FOR PORTABLE WATER.



LINE	DESCRIPTION	SIZE	HEIGHT FROM G.L.
H1	MAIN DRAIN INLET	12"	0
H2	FEATURE OUTLET	6"	0
H3	FEATURE RETURN	4"	0
H4	FILTER OUTLET	3"	0
H5	FILTER RETURN	3"	0
H6	FRESH WATER INLET	1"	40"
H7	OVERFLOW	4"	14"



PIPING SYMBOLS			
—○—	PIPE TURNING DOWN	—○—	CROSS AND RISER
—○—	PIPE TURNING UP	—○—	PLAN ELBOW
—○—	TEE UP	—○—	DROP AND TURN
—○—	TEE DOWN	—○—	TEE OFF TOP
—○—	TEE OFF RUN	—○—	TEE OFF BOTTOM
—○—	TEE OFF TOP	—○—	PLAN TEE

MANUAL VALVE LEGEND			
—○—	GATE (NO)	—○—	BALL
—○—	GATE (NC)	—○—	PLUG
—○—	BUTTERFLY	—○—	CHECK
—○—		—○—	PRV
—○—		—○—	3-WAY
—○—		—○—	RELIEF

VIMY RIDGE MEMORIAL PARK PLAYGROUND AREA

HILDERMAN THOMAS FRANK CRAM  
 Faraci Engineering Ltd.  
 No. 998 Expiry: April 30, 2006

**APECM**  
 Certificate of Authorization  
 Faraci Engineering Ltd.  
 No. 998 Expiry: April 30, 2006

PUMP ROOM & WATER QUALITY MANAGEMENT DETAILS  
 Scale: 1:100  
 Date: 03/3/06  
 Drawing: M-3R