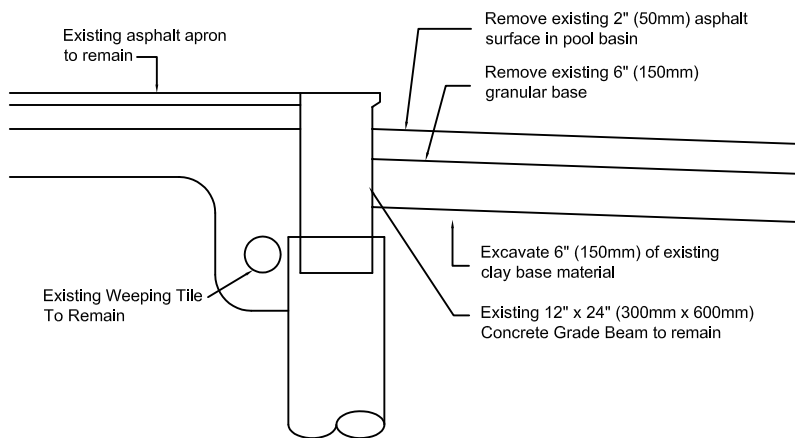


**SECTION THRU WADING POOL**

SCALE: NOT TO SCALE

SEPARATE PRICE:  
 Replace 10M slab reinforcing (**dowels to remain**) with STRUX 90/40 Synthetic Macro Fibre Reinforcing (as manufactured by Grace Construction Products) at a rate of 2.3 kg. per cubic metre of concrete.



**DEMOLITION SECTION DETAIL**


SCALE: 3/8" = 1' - 0"

**GENERAL NOTES:**

1. All field dimensions shall be checked and verified by the General Contractor prior to starting construction.
2. General Contractor shall confirm the location of all subgrade services prior to starting any excavation.
3. Excavate all topsoil, loose or swelling soils under to the new construction to the Contract Administrator's satisfaction.
4. Excavate soil below all new concrete surfaces and replace with a minimum 8 inches of compacted granular fill. Granular fill to be compacted to 98% modified proctor density.
5. All construction joint locations shall be approved by the Engineer.

**CONCRETE**

1. All concrete shall be 25 MPa, with 5% air entrainment. Apply a steel trowel finish to all surfaces.
2. General Contractor shall order slump, cylinder and air testing for each concrete pour. Cost for concrete testing shall be paid by the City of Winnipeg, Building Services Division.

| NO.   | DESCRIPTION | DATE   | BY          |
|---|-------------|--|-------------|
| REVISIONS / ISSUE   |             |  |             |
| <b>THE CITY OF WINNIPEG</b>   |             |  |             |
|    |             | PUBLIC WORKS DEPARTMENT<br>BUILDING SERVICES DIVISION<br>100 MAIN STREET, MAIN FLOOR<br>WPG, MB. R3C 1A4 |             |
| PROJECT: <b>REPLACEMENT OF WADING POOL BASIN<br/>BROADWAY NEIGHBORHOOD CENTRE<br/>185 YOUNG STREET, WINNIPEG, MANITOBA<br/>BID OPPORTUNITY NO. 212-2005</b> |             |  |             |
| SHEET TITLE: <b>POOL CROSS SECTION &amp; DEMOLITION DETAIL</b>  |             |  |             |
| ENG. STAMP  | PROJECT NO. | DRAWN BY:<br>L.M.C.  | CHECKED BY: |
| APPROVED BY:  |             |  |             |
| SCALE:<br>AS NOTED  |             | DATE:<br>APRIL, 2005   |             |
| DWG. NO.<br><b>L3</b>   |             | REV.   |             |