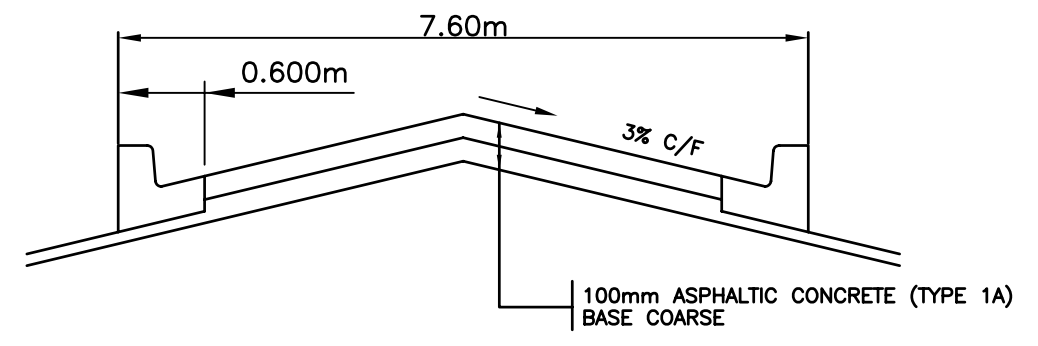
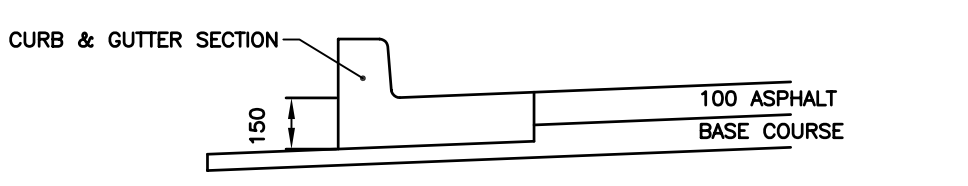


CHAINAGE ALONG CENTER OF ROW

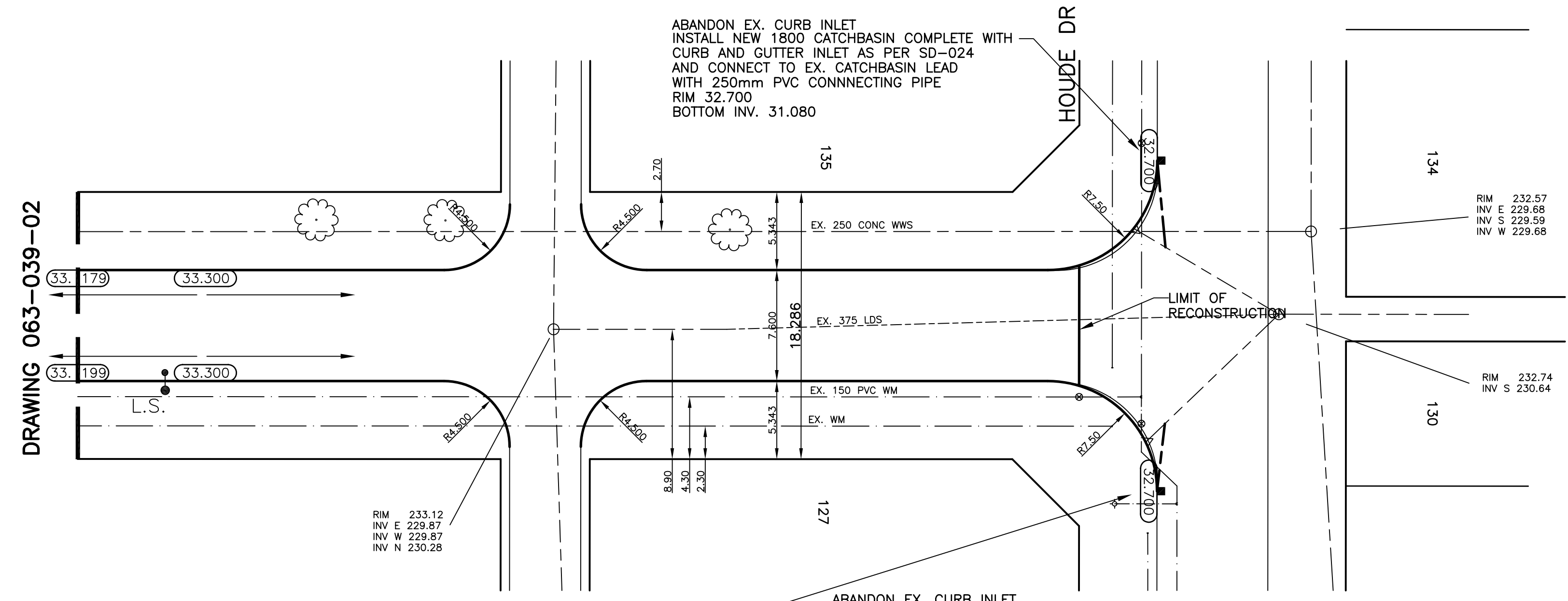
RUE LESTANG



TYPICAL ROAD CROSS SECTION
N.T.S.
DETAIL B



TYPICAL CURB & GUTTER WITH SUB-DRAIN
N.T.S.
SECTION A



- NOTES:**
1. REMOVE EX. ASPHALT PAVEMENT, MINIMAL BASE REPAIR, REGRADE AND COMPACT EX. BASE
 2. MODIFIED BARRIER CURB TO BE USED FOR CURB RENEWAL AT RADII.
 3. OVERLAY EX. LANE APPROACHS AS REQUIRED

BENCHMARK:
S.E. COR. GENDREAU AVE. & DORGE DR., TBLT. IN W. CONC.
FOUNDATION OF NO. 30 GENDREAU AVE., 3.5m S. & 0.2m BELOW
STUCCO FROM N.W. COR. OF DWELLING.



WATERMAIN	HYDRANT	VALVE	LAND DRAINAGE SEWER	WASTE WATER SEWER	MANHOLE	CATCH BASIN	CURB INLET	TRAFFIC SIGNAL	STEAM HT.	GAS
HYDRO	M.T.S.	CONCRETE	ASPHALT	PROPERTY LINE	SURVEY BAR	CURB STOP	C.B. LEAD	SIDEWALK	SIDEWALK RAMP	ELEVATIONS
GROUND CENTER LINE	NORTH GUTTER LINE	SOUTH GUTTER LINE	WATERMAIN	VALVE	LAND DRAINAGE SEWER	WASTE WATER SEWER	JUNCTIONS	CULVERT		
EXISTING	LEGEND - PLAN	PROPOSED	EXISTING	LEGEND - PLAN	PROPOSED	EXISTING	LEGEND - PROFILE	PROPOSED		

LOCATION APPROVED UNDERGROUND STRUCTURES

SUPV. U/G STRUCTURES COMMITTEE DATE

NOTE:
LOCATION OF UNDERGROUND STRUCTURES AS SHOWN ARE BASED ON THE BEST INFORMATION AVAILABLE BUT NO GUARANTEE IS GIVEN OR THAT ALL EXISTING UTILITIES ARE SHOWN OR THAT THE GIVEN LOCATIONS ARE EXACT. CONFIRMATION OF EXISTENCE AND EXACT LOCATION OF ALL SERVICES MUST BE OBTAINED FROM THE INDIVIDUAL UTILITIES BEFORE PROCEEDING WITH CONSTRUCTION.

B.M. ELEV.	CWM: 088-016	233.569 m
NO.	REVISIONS	DATE BY

SEG ENGINEERING INC.
200 TACHE AVENUE
WINNIPEG, MANITOBA
(204)-233-2113

DESIGNED BY: S.M./R.H.
DRAWN BY: R.H.

CHECKED BY: S.M.
APPROVED BY: E.P.R.

HOR. SCALE: 1:250
VERT. SCALE: 1:50

ORIG. SIGNED BY: _____
DATE: MARCH 2005



THE CITY OF WINNIPEG
PUBLIC WORKS DEPARTMENT

2005 RESIDENTIAL STREET RENEWAL AND LOCAL IMPROVEMENTS
RUE LESTANG
FROM MATCHLINE A-A TO HOUDE DR.

CITY DRAWING NO. SHEET 1 OF 1

184-2005

ACAD 2000