

METRIC
WHOLE NUMBERS INDICATE MILLIMETRES
DECIMALIZED NUMBERS INDICATE METRES

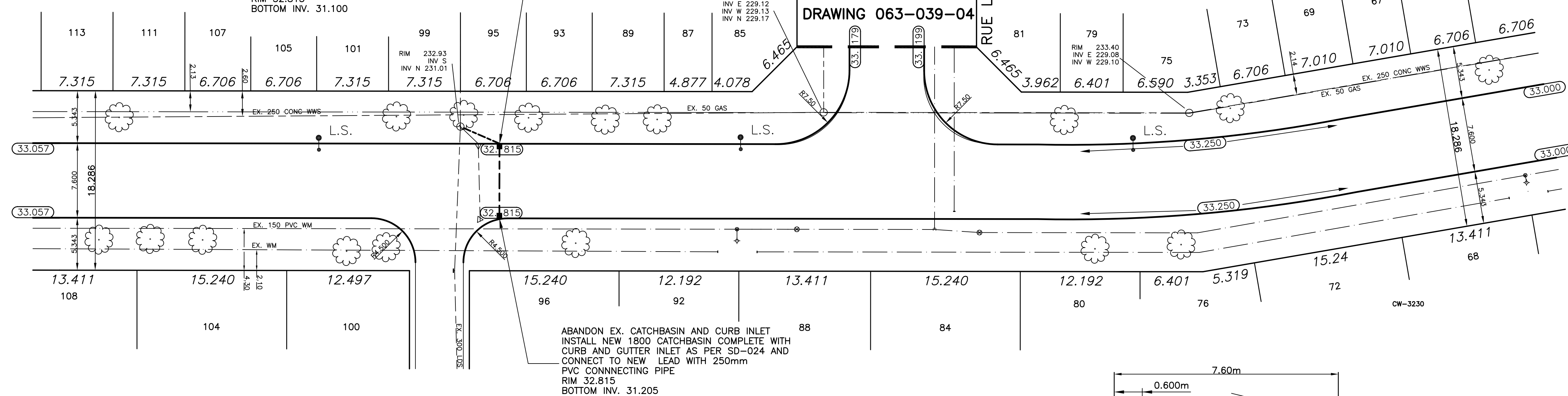
CHAINAGE ALONG
CENTER OF ROW

HORIZONTAL CURVE DATA						
STA.	RADIUS	B.C.	E.C.	TANGENT	LENGTH	DELTA
3+27.352	150.000	3+27.332	3+59.274	16.031	31.942	12°12'03"

AVE GENDREAU

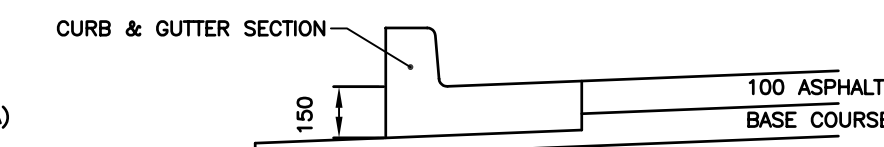
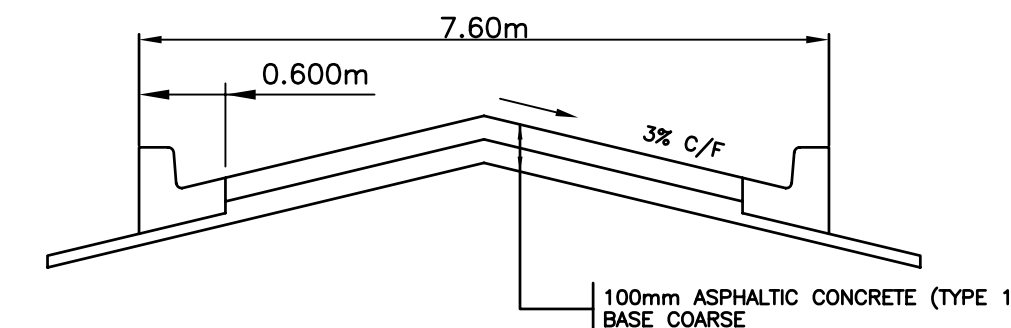
ABANDON EX. CATCHBASIN AND CURB INLET
INSTALL NEW 1800 CATCHBASIN COMPLETE WITH
CURB AND GUTTER INLET AS PER SD-024 AND
CONNECT TO EX. MANHOLE WITH 250mm
PVC CONNECTING PIPE
RIM 32.815
BOTTOM INV. 31.100

DRAWING 063-039-04



NOTES:

- REMOVE EX. ASPHALT PAVEMENT, MINIMAL BASE REPAIR, REGRADE AND COMPACT EX. BASE
- MODIFIED BARRIER CURB TO BE USED FOR CURB RENEWAL AT RADII.
- OVERLAY EX. LANE APPROACHS AS REQUIRED



TYPICAL ROAD CROSS SECTION
N.T.S.

DETAIL B

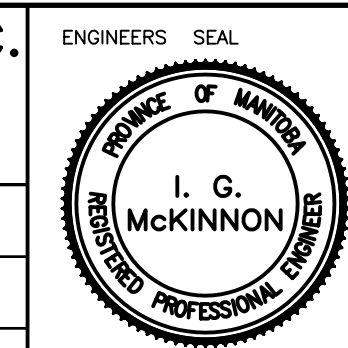
TYPICAL CURB & GUTTER WITH SUB-DRAIN
N.T.S.

SECTION A

BENCHMARK:
S.E. COR. GENDREAU AVE. & DORGE DR., T.B.L. IN W. CONC.
FOUNDATION OF NO. 30 GENDREAU AVE., 3.5m S. & 0.2m BELOW
STUCCO FROM N.W. COR. OF DWELLING.



SEG ENGINEERING INC.
200 TACHE AVENUE
WINNIPEG, MANITOBA
(204)-233-2115



THE CITY OF WINNIPEG
PUBLIC WORKS DEPARTMENT

2005 RESIDENTIAL STREET RENEWAL AND
LOCAL IMPROVEMENTS
AVE GENDREAU

FROM STA. 2+25 TO STA. 3+80

CITY DRAWING NO.
SHEET 2 OF 3

184-2005

EXISTING	LEGEND - PLAN	PROPOSED	EXISTING	LEGEND - PLAN	PROPOSED	EXISTING	LEGEND - PROFILE	PROPOSED
---	WATERMAIN	---	---	HYDRO	---	---	GROUND	---
---	HYDRANT	---	---	M.T.S.	---	---	CENTER LINE	---
---	VALVE	---	---	CONCRETE	---	---	NORTH GUTTER LINE	---
---	LAND DRAINAGE SEWER	---	---	ASPHALT	---	---	SOUTH GUTTER LINE	---
---	WASTE WATER SEWER	---	---	PROPERTY LINE	---	---	WATERMAIN	---
---	MANHOLE	---	---	SURVEY BAR	---	---	VALVE	---
---	CATCH BASIN	---	---	CURB STOP	---	---	LAND DRAINAGE SEWER	---
---	CURB INLET	---	---	C.B. LEAD	---	---	WASTE WATER SEWER	---
---	TRAFFIC SIGNAL	---	---	SIDEWALK	---	---	JUNCTIONS	---
---	STEAM HT.	---	---	SIDEWALK RAMP	---	---	CULVERT	---
---	GAS	---	---	ELEVATIONS	---	---		---
---		---	---		---	---		---

LOCATION APPROVED
UNDERGROUND STRUCTURES

SUPV. U/G STRUCTURES DATE COMMITTEE

NOTE:
LOCATION OF UNDERGROUND STRUCTURES AS SHOWN ARE BASED ON THE BEST INFORMATION AVAILABLE BUT NO GUARANTEE IS GIVEN THAT ALL EXISTING UTILITIES ARE SHOWN OR THAT THE GIVEN LOCATIONS ARE EXACT. CONFIRMATION OF EXISTENCE AND EXACT LOCATION OF ALL SERVICES MUST BE OBTAINED FROM THE INDIVIDUAL UTILITIES BEFORE PROCEEDING WITH CONSTRUCTION.

NO.	REVISIONS	DATE	BY	DATE	BY

DESIGNED BY: S.M./R.H.
DRAWN BY: R.H.
CHECKED BY: S.M.
APPROVED BY: E.P.R.
HOR. SCALE: 1:250
VERT. SCALE: 1:50
MARCH 2005

CONSULTANT DRAWING NO.
063-039-02