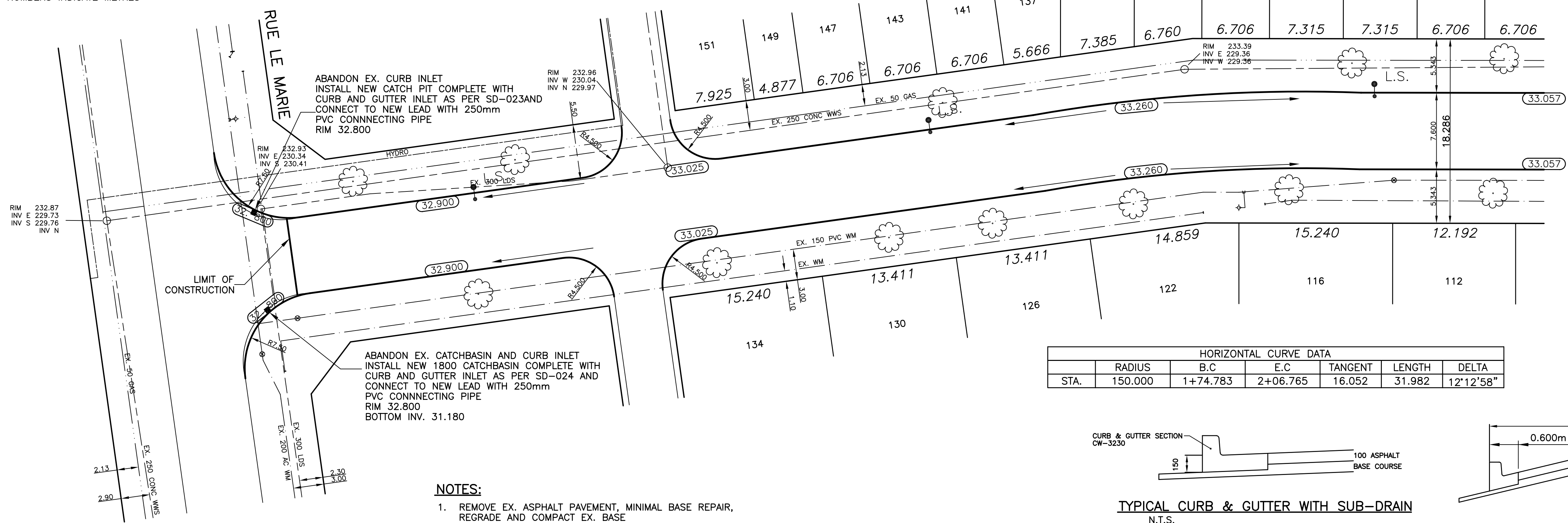
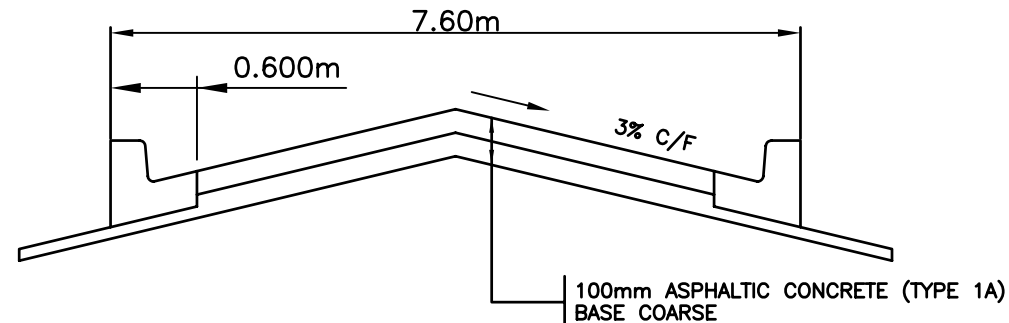
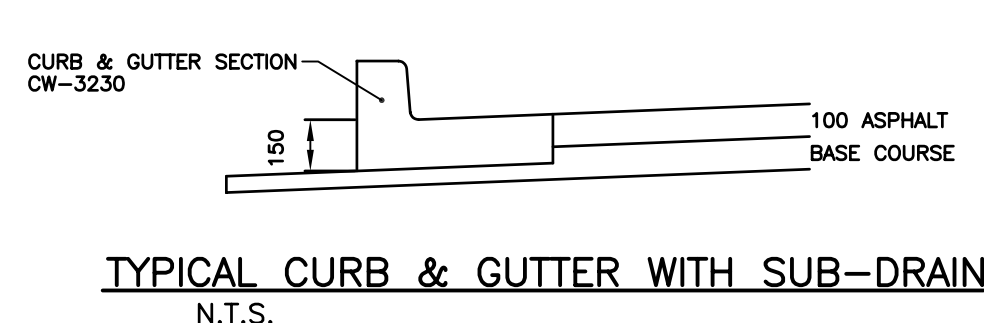


METRIC
WHOLE NUMBERS INDICATE MILLIMETRES
DECIMALIZED NUMBERS INDICATE METRES

AVE GENDREAU CHAINAGE ALONG CENTER OF ROW



HORIZONTAL CURVE DATA						
STA.	RADIUS	B.C	E.C	TANGENT	LENGTH	DELTA
150.000	1+74.783	2+06.765	16.052	31.982	12°12'58"	

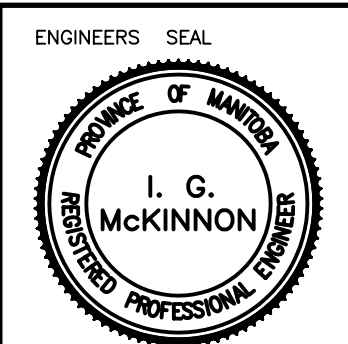


- NOTES:**
1. REMOVE EX. ASPHALT PAVEMENT, MINIMAL BASE REPAIR, REGRADE AND COMPACT EX. BASE
 2. MODIFIED BARRIER CURB TO BE USED FOR CURB RENEWAL AT RADII.
 3. OVERLAY EX. LANE APPROACHS AS REQUIRED

BENCHMARK:
S.E. COR. GENDREAU AVE. & DORGE DR., TBLT. IN W. CONC.
FOUNDATION OF NO. 30 GENDREAU AVE., 3.5m S. & 0.2m BELOW
STUCCO FROM N.W. COR. OF DWELLING.



SEG ENGINEERING INC.
200 TACHE AVENUE
WINNIPEG, MANITOBA
(204)-233-2113



THE CITY OF WINNIPEG
PUBLIC WORKS DEPARTMENT

2005 RESIDENTIAL STREET RENEWAL AND
LOCAL IMPROVEMENTS
AVE GENDREAU
FROM RUE LE MAIRE TO STA. 2+25

CITY DRAWING NO.
SHEET 1 OF 3
184-2005

WATERMAIN		HYDRO		GROUND		LOCATION APPROVED	
LEGEND	PLAN	LEGEND	PLAN	LEGEND	PROFILE	UNDERGROUND	STRUCTURES
HYDRANT	+	M.T.S.	+	CENTER LINE	—	NO. 1	DATE
VALVE	●	CONCRETE	—	NORTH GUTTER LINE	—	DATE	
LAND DRAINAGE SEWER	—	ASPHALT	—	SOUTH GUTTER LINE	—	DATE	
WASTE WATER SEWER	—	PROPERTY LINE	—	WATERMAIN	—	DATE	
MANHOLE	○	SURVEY BAR	+	VALVE	—	DATE	
CATCH BASIN	□	CURB STOP	+	LAND DRAINAGE SEWER	—	DATE	
CURB INLET	△	C.B. LEAD	+	WASTE WATER SEWER	—	DATE	
TRAFFIC SIGNAL	—	SIDEWALK	—	JUNCTIONS	—	DATE	
STEAM HT.	—	SIDEWALK RAMP	—	CULVERT	—	DATE	
GAS	—	ELEVATIONS	—				
EXISTING	LEGEND - PLAN	PROPOSED	EXISTING	LEGEND - PROFILE	PROPOSED		

NO.	REVISIONS	DATE	BY

DESIGNED BY	S.M./R.H.	CHECKED BY	S.M.
DRAWN BY	R.H.	APPROVED BY	E.P.R.
HOR. SCALE:	1:250	RELEASED FOR CONSTRUCTION	
VERT. SCALE:	1:50	ORG. SIGNED BY:	
		DATE	MARCH 2005

CONSULTANT DRAWING NO.
063-039-01