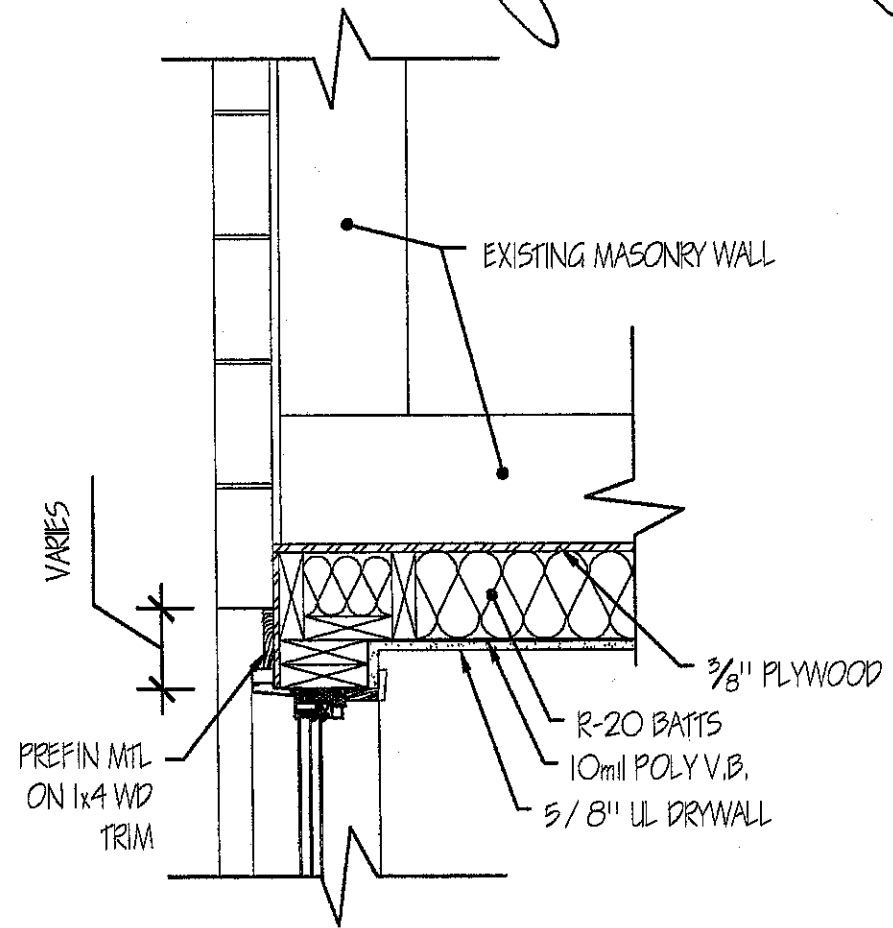
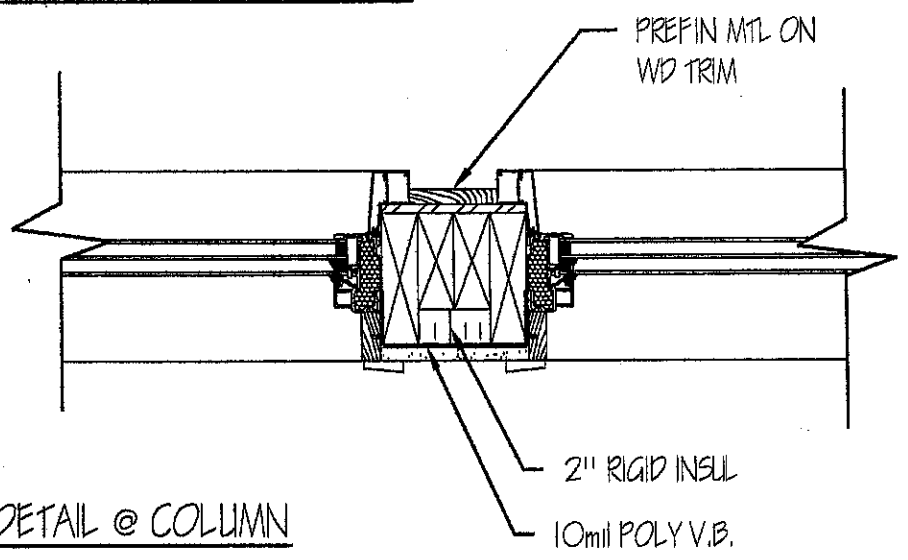


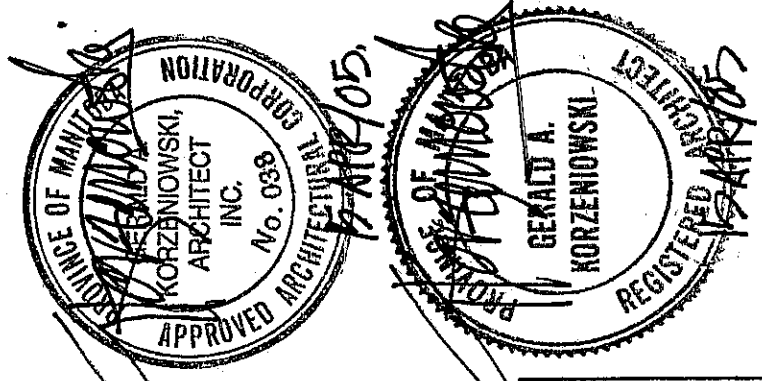
1 TYPICAL EXT WALL @ RETAINING WALLS
A-6 1"=1'0"



2 WALL SECTION @ EXISTING COLUMN
A-6 1"=1'0"



3 WINDOW DETAIL @ COLUMN
A-6 1-1/2' = 1'0"



SHEET TITLE
**CLASSROOM SECTIONS
& DETAILS**

SCALE AS NOTED
DATE APR 14/05
DRAWN KLM

FILE NO. 2417

SHEET NO. A-6

PROJECT TITLE
**LIVING PRAIRIE MUSEUM
2795 NESS AVE**

218 OVERDALE STREET
WINNIPEG, MB. R3J 2G3
PHONE: (204)832-8666
FAX: (204)889-1030

**GERALD A. KORZENOWSKI
ARCHITECT INC.**

