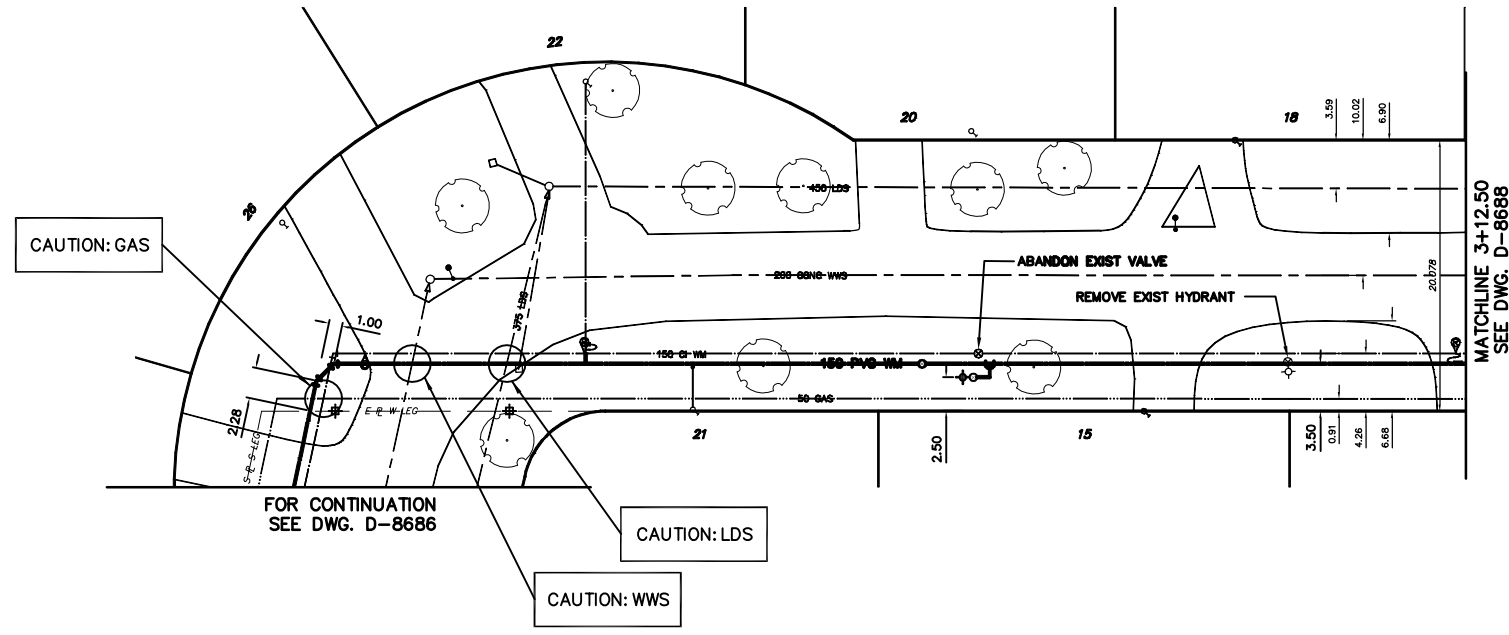


NOTE: CHAINAGES SHOWN ARE ALONG E.P. OF PARADISE BY (W LEG)

PARADISE BAY (W. LEG)



WATER SERVICE INFORMATION

ADDRESS	SIZE(mm) & TYPE (STREET)	SIZE(mm) & TYPE (PROP)	SHORT & LONG MEASUREMENT	CORP. LOCATION	REMARKS
15 PARADISE BY	20	-	6.1 S/AHL	-	-
RESIDENTIAL	COPPER	-	22.8 OFF BLDG	-	-
18 PARADISE BY	20	-	4.27 N/SPL	-	-
RESIDENTIAL	COPPER	-	15.24 OFF BLDG	-	-
20 PARADISE BY	20	-	8.7 S/AHL	-	-
RESIDENTIAL	-	-	-	-	-
21 PARADISE BAY	20	20	4.57 N/SPL	0.3 N OF S/C	S/C REPAIR MAY/95
RESIDENTIAL	COPPER	COPPER	18.8 OFF BLDG	-	-
22 PARADISE BY	20	20	10.0 NSL GARAGE	OPP S/C	CORP. RENEWAL 3/95
RESIDENTIAL	COPPER	COPPER	10.4 WWL PARADISE	-	REVERSED TAPPED
26 PARADISE BY	20	-	13.7 W/EHL	-	-
RESIDENTIAL	-	-	41.15 W HYD EL PARADISE	-	-
30 PARADISE BY	20	-	9.44 E/WHL	-	-
RESIDENTIAL	COPPER	-	21.84 OFF BLDG	-	-
36 PARADISE BY	20	-	9.44 W/EHL	0.3 W OF S/C	CORP. REPAIR MAR/98
RESIDENTIAL	COPPER	-	-	-	-
40 PARADISE BY	20	-	6.85 E/WHL	-	-
RESIDENTIAL	COPPER	-	14.8 OFF BLDG	-	-
41 PARADISE BY	20	-	-	-	-
RESIDENTIAL	-	-	-	-	-
42 PARADISE BY	20	-	3.35 W/EHL	-	-
RESIDENTIAL	-	-	-	-	-

CONSTRUCTION NOTES

- EXPOSE EXISTING WATERMAIN & CONFIRM INVERTS PRIOR TO CONSTRUCTION.
- CONFIRM LOCATION OF ALL SERVICES IN THE FIELD.
- INSTALL WATERMAIN BY TRENCHLESS METHODS.
- TRENCHES AND EXCAVATIONS WITHIN 1 METRE OF A PAVED AREA INCLUDING SIDEWALKS SHALL BE CLASS 3 BACKFILL.
- ALL MATERIALS SHALL CONFORM TO THE CITY OF WINNIPEG STANDARD CONSTRUCTION SPECIFICATIONS.
- MINIMUM COVER TO TOP OF WATERMAIN SHALL BE 2.4 m.
- REPLACE ALL EXISTING LEAD SERVICES FROM PROPOSED WATERMAIN TO P.
- NOTIFY ALL AFFECTED RESIDENTS AND BUSINESSES 24 HOURS IN ADVANCE OF ANY WATER SHUTDOWNS OR DISRUPTION OF SERVICE.

METRIC

WHOLE NUMBERS INDICATE MILLIMETRES
DECIMALIZED NUMBERS INDICATE METRES

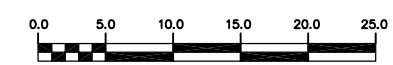
NOTE: ALL VALVES TO BE INSTALLED CLOCKWISE TO CLOSE

WARNING

IF POWER EQUIPMENT OR EXPLOSIVES ARE TO BE USED FOR EXCAVATION ON THIS PROJECT THE CONTRACTOR

- NOTIFY THE GAS COMPANY OF THE PROPOSED LOCATION OF EXCAVATION.
- TAKE PRECAUTION TO AVOID DAMAGE TO GAS COMPANY INSTALLATIONS.

SEE PROVINCIAL REGULATION 210/72 FOR DETAILS



200 WM	WATERMAIN	200 WM	SL, HYDRO	50 GAS	WATERMAIN	150 WM
⊕	HYDRANT	⊕	MTS	---	HYDRANT	⊕
⊙	VALVE	⊙	TRAFFIC SIGNALS	---	VALVE	⊙
525 LDS	LAND DRAINAGE SEWER	525 LDS	GAS	50 GAS	300 LDS	LAND DRAINAGE SEWER
375 WWS	WASTEWATER SEWER	375 WWS	SURVEY BAR	---	250 WWS	WASTEWATER SEWER
○	MANHOLE	●	FENCE	---	⊕	PROFILE
□	CATCH BASIN	■	POLE - HYDRO, MTS	---	—	GROUND ABOVE PIPE
▽	CURB INLET	▽	CURB STOP	---	⊕	DITCH (NORTH & WEST)
◁	REDUCER	▷	GUY ANCHOR	---	⊕	DITCH (SOUTH & EAST)
X	COUPLER	X	LIGHT STANDARD	---	⊕	GUTTER (NORTH & WEST)
⊕	ANODE	⊕	TREE	---	⊕	GUTTER (SOUTH & EAST)
EXISTING	LEGEND-PLAN	PROPOSED	EXISTING	PROPOSED	EXISTING	LEGEND-PROFILE

LOCATION APPROVED UNDERGROUND STRUCTURES

DATE

NOTE: LOCATION OF UNDERGROUND STRUCTURES AS SHOWN ARE BASED ON THE BEST INFORMATION AVAILABLE BUT NO GUARANTEE IS GIVEN THAT ALL EXISTING UTILITIES ARE SHOWN OR THAT THE GIVEN LOCATIONS ARE EXACT. CONFIRMATION OF EXISTENCE AND EXACT LOCATION OF ALL SERVICES MUST BE OBTAINED FROM THE INDIVIDUAL UTILITIES BEFORE PROCEEDING WITH CONSTRUCTION.

B.M. ELEV.	FIELD BOOK #

CITY OF WINNIPEG
WATER AND WASTE
ENGINEERING DIVISION

DESIGNED BY SC
CHECKED BY TW

DRAWN BY C.H./B.W.
APPROVED BY KZ

HOR. SCALE 1:250
VERTICAL 1:50

RELEASED FOR CONSTRUCTION

DATE 2005 04 20

ENGINEER'S SEAL

ORIGINAL SIGNED BY K.R. ZUREK 05/04/20

THE CITY OF WINNIPEG
WATER AND WASTE DEPARTMENT

2004 WATERMAIN RENEWALS AND ASSOCIATED WORKS
PARADISE BAY (WEST LEG)
PARADISE BAY (SOUTH LEG) TO 93 m SOUTH OF SOUTHBOINE DRIVE

SHEET 7 OF 10
CITY DRAWING NUMBER
D-8688