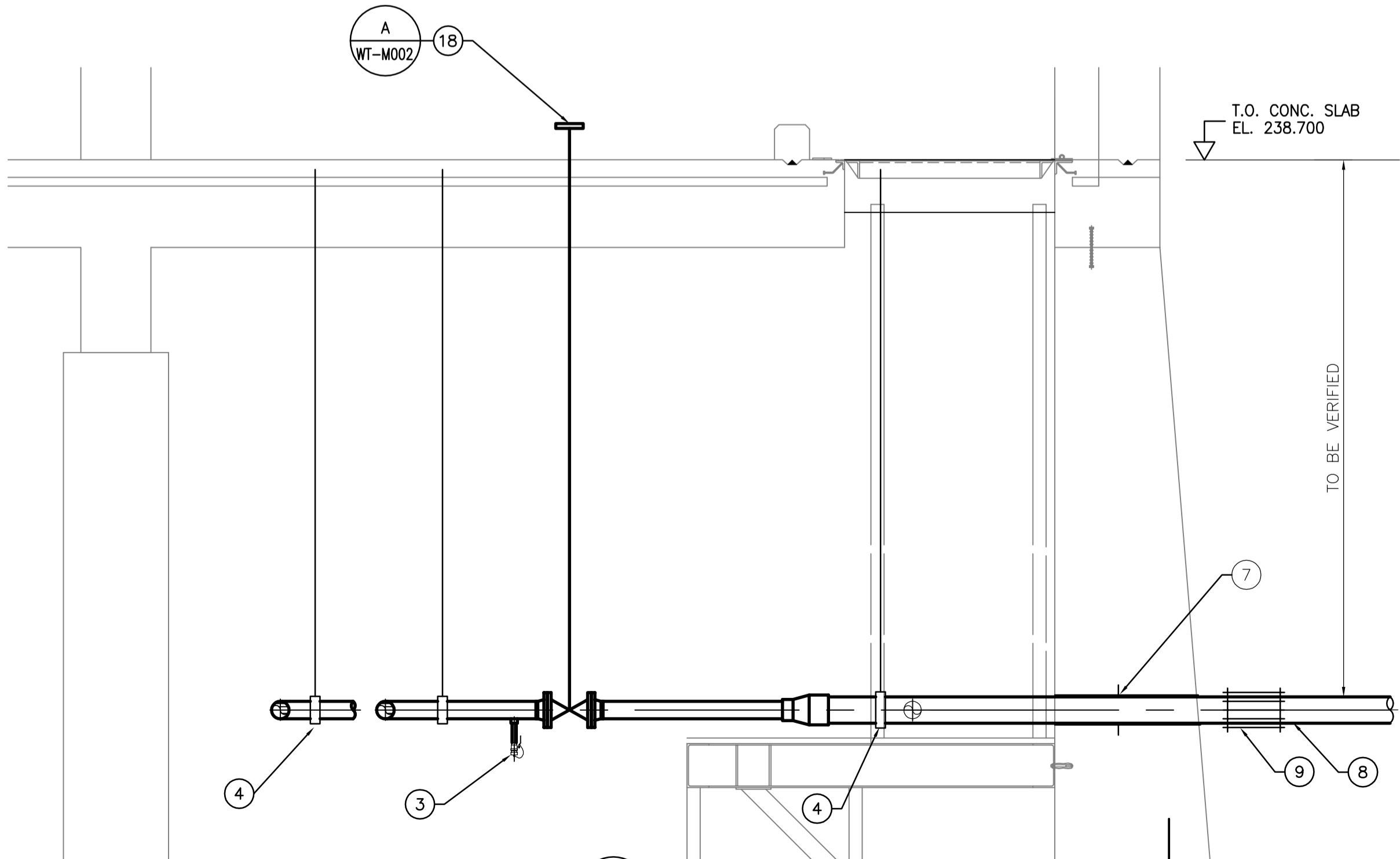
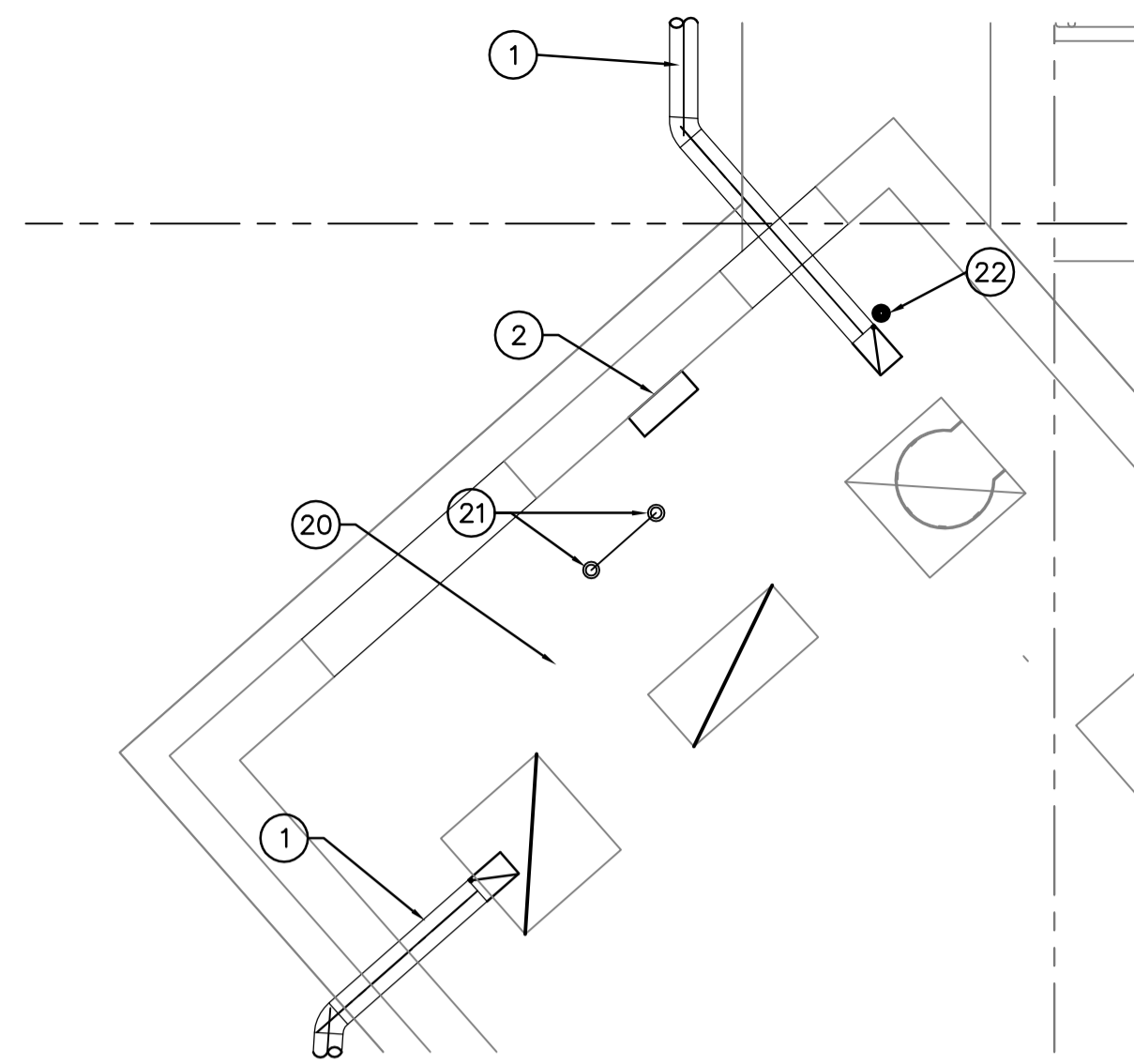


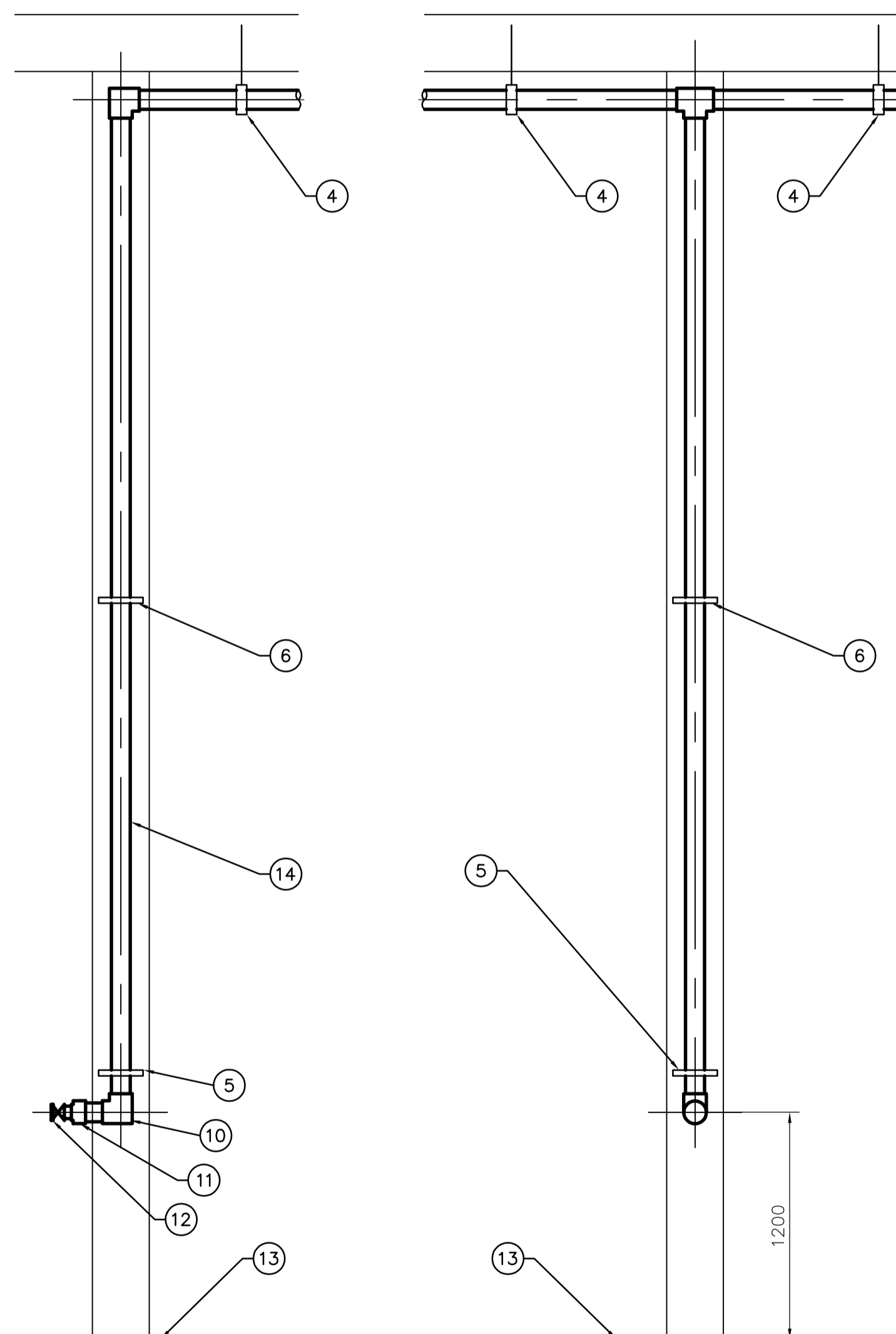
**CLEARWELL - MECHANICAL PLAN**  
1:250



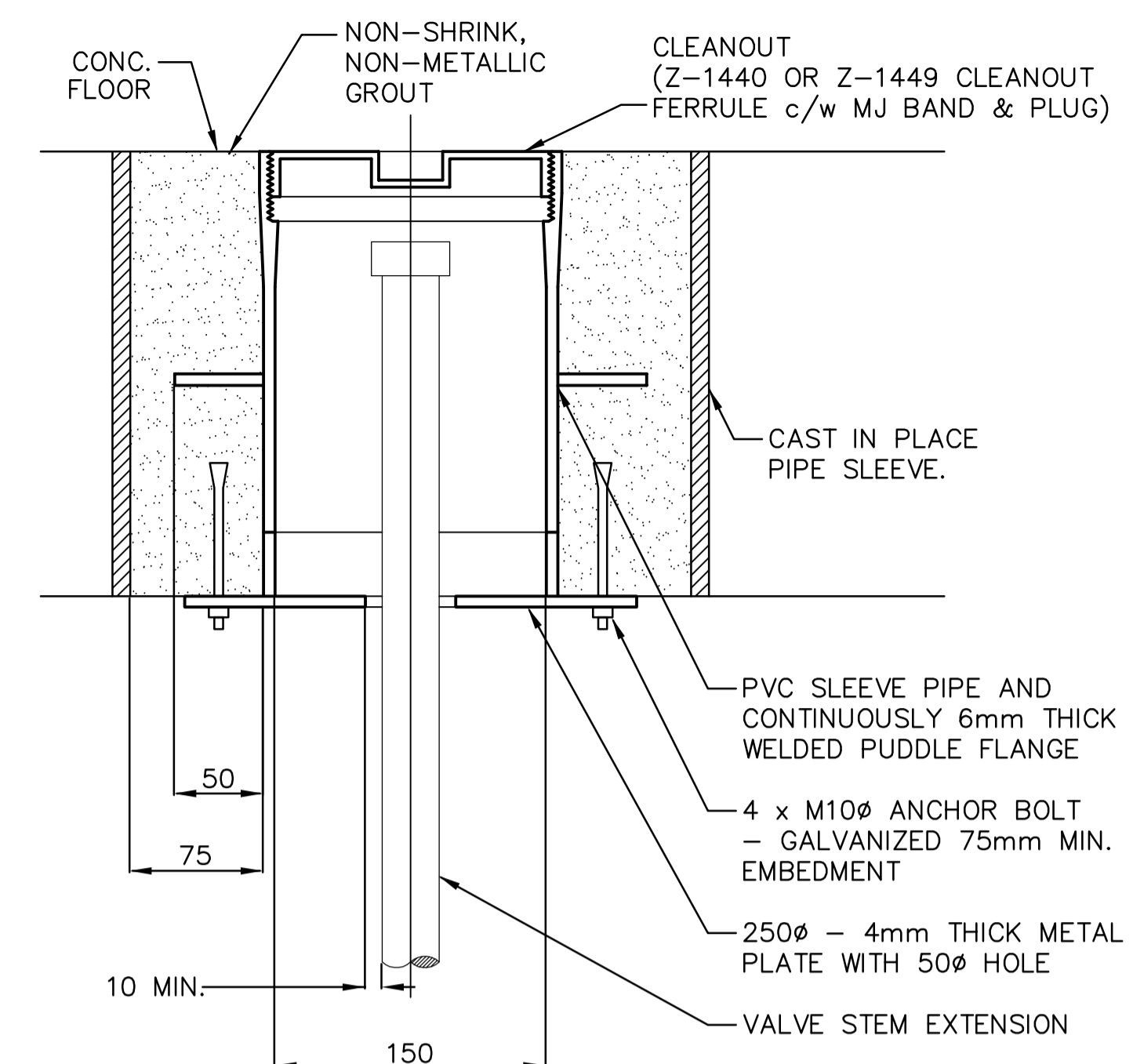
**SECTION**  
1:25



**1 WEeping TILE SUMP PIT PLAN**  
1:25



**3 TYPICAL HOSE STATION SECTION**  
1:25



**A VALVE FLOOR BOX DETAIL**  
N.T.S.

**DRAWING NOTES**

- 1 200ø WEeping TILE
- 2 DUPLEX PUMP CONTROLLER LOCATED ABOVE GRADE.
- 3 DRAIN c/w BALL VALVE AND CAP.
- 4 PVC PIPE HANGER SUPPORT.
- 5 PVC PIPE SUPPORT TYPE 1 AND BRACKET. SEE DWG M3.01 FOR DETAIL.
- 6 PVC PIPE SUPPORT TYPE 2. SEE DWG WT-M005 FOR DETAIL.
- 7 250ø STAINLESS STEEL PIPE SLEEVE.
- 8 150ø WASHDOWN.
- 9 150ø SLEEVE COUPLING.
- 10 100ø - 90° ELBOW.
- 11 100mm x 65mm REDUCING BUSHING.
- 12 65mm PVC HOSE VALVE c/w THREADED END CAP.
- 13 FLOOR SLAB - ELEVATION VARIES.
- 14 100ø WASHDOWN PIPING (SCH. 40 PVC).
- 15 HOSE STATION. TYPICAL OF 8.
- 16 100ø WASHDOWN PIPING.
- 17 150ø POTABLE WATER SUPPLY FROM WTP.
- 18 VALVE STEM EXTENDING UP THROUGH FLOOR WITH VALVE OPERATOR LOCATED IN HEATED SPACE.
- 19 MANHOLE ACCESS FOR FLUSHING WEeping TILES. SEE STRUCTURAL DRAWINGS FOR DETAILS.
- 20 SEE WT-M005 FOR SUMP PUMP AND SUMP PIT DETAILS.
- 21 DISCHARGE PIPE FROM SUMP PUMPS THROUGH EXTERIOR WALL 1000-mm ABOVE GRADE. C/W 45° ELBOW AT DISCHARGE.
- 22 SUMP PIT VENT PIPE THROUGH EXTERIOR WALL 1000-mm ABOVE GRADE. C/W INSECT SCREEN.

**GENERAL NOTES**

1. COORDINATE WITH OTHER TRADES SO AS TO PREVENT CONFLICTS.
2. PROVIDE MINIMUM 0.5% SLOPE ON ALL HORIZONTAL PIPING TO DRAIN ALL PIPING WASHDOWN.

**FOR INFORMATION ONLY - NOT IN CONTRACT**

(EXCEPT AS NOTED)

B.M. ELEV.		<b>CH2M HILL</b>	<b>EarthTech</b> A Total Infrastructure Ltd. Company	ENGINEER'S SEAL	<b>THE CITY OF WINNIPEG</b> WATER AND WASTE DEPARTMENT ENGINEERING DIVISION	CITY FILE NUMBER
		Frederickson Cooper ARCHITECTS				SHEET OF
		DESIGNED BY: PL	CHECKED BY:		<b>WATER TREATMENT PLANT</b> <b>CLEARWELL CONSTRUCTION</b>	CITY DRAWING NUMBER
		DRAWN BY: DL	APPROVED BY:			
		HOR. SCALE: AS NOTED	RELEASED FOR CONSTRUCTION BY:		MECHANICAL WASHDOWN PIPING SYSTEM PLAN AND SECTIONS	
		DATE: 2005/02/11	DATE:			
00	ISSUED FOR TENDER (N.I.C.)	05/04/17	DC		CONSULTANT DRAWING NO. WT-M002	
	NO. REVISIONS	DATE	BY	DATE		