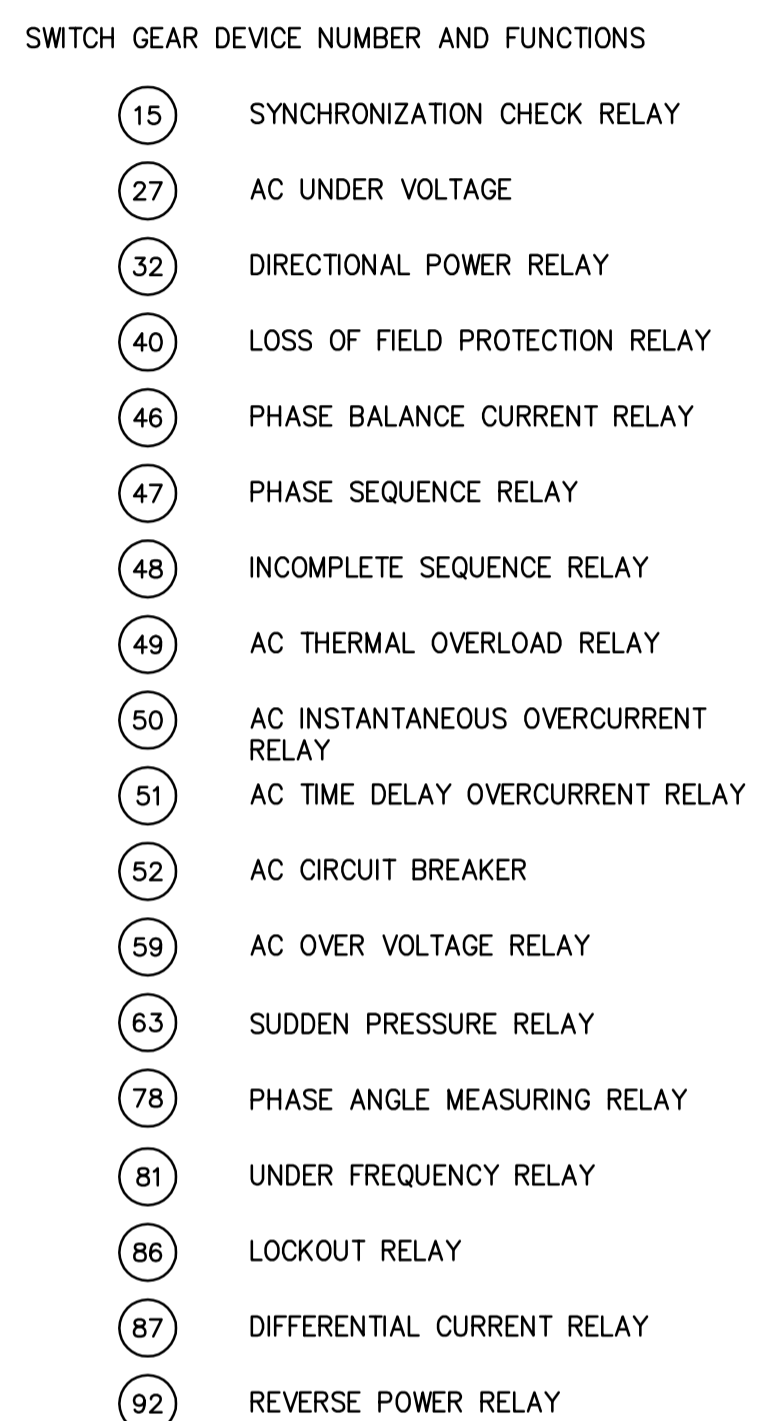
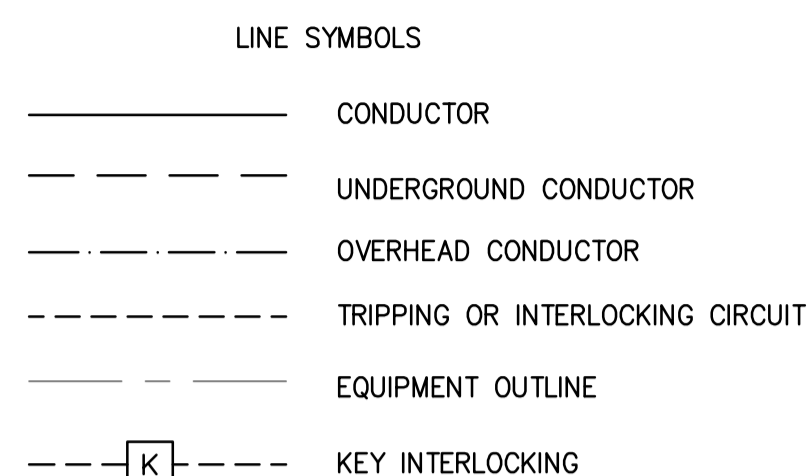
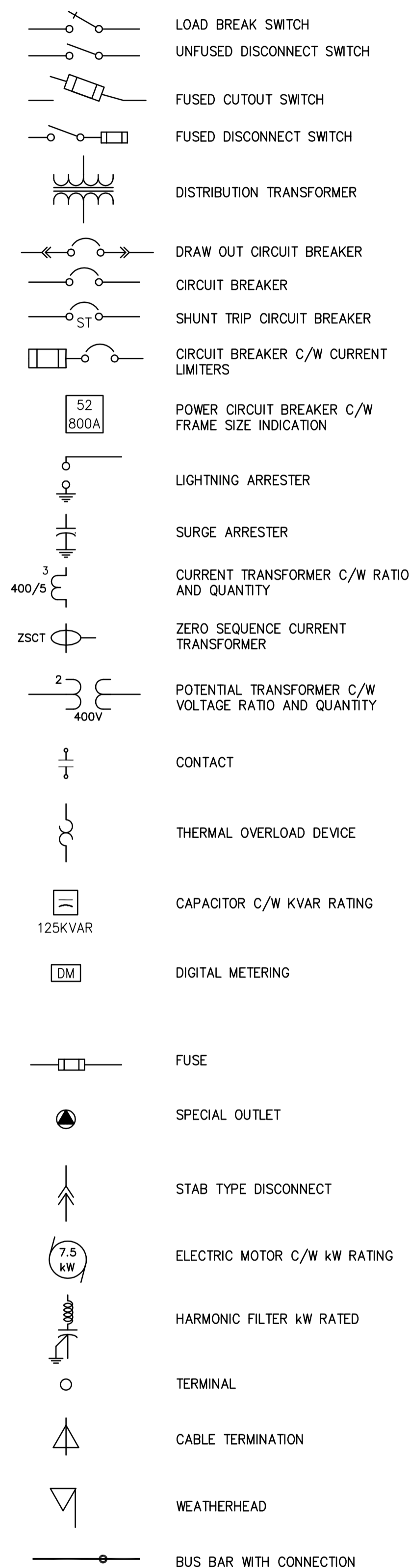
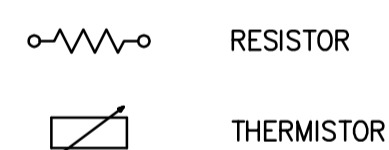


ELECTRICAL SYMBOL LEGEND

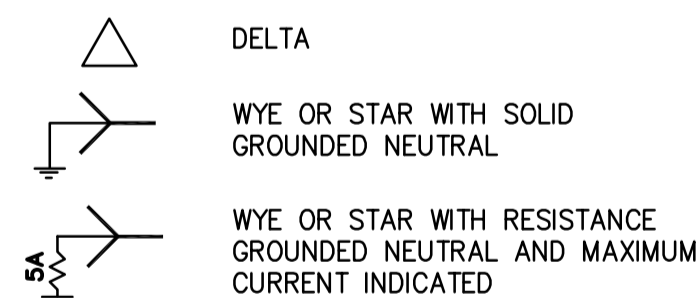
SINGLE LINE



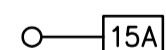
SPECIALIZED RELAY FUNCTION ARE INDICATED BY A LETTER SUFFIX, e.g. S - STALL, G - GROUND, T - TEMPERATURE.



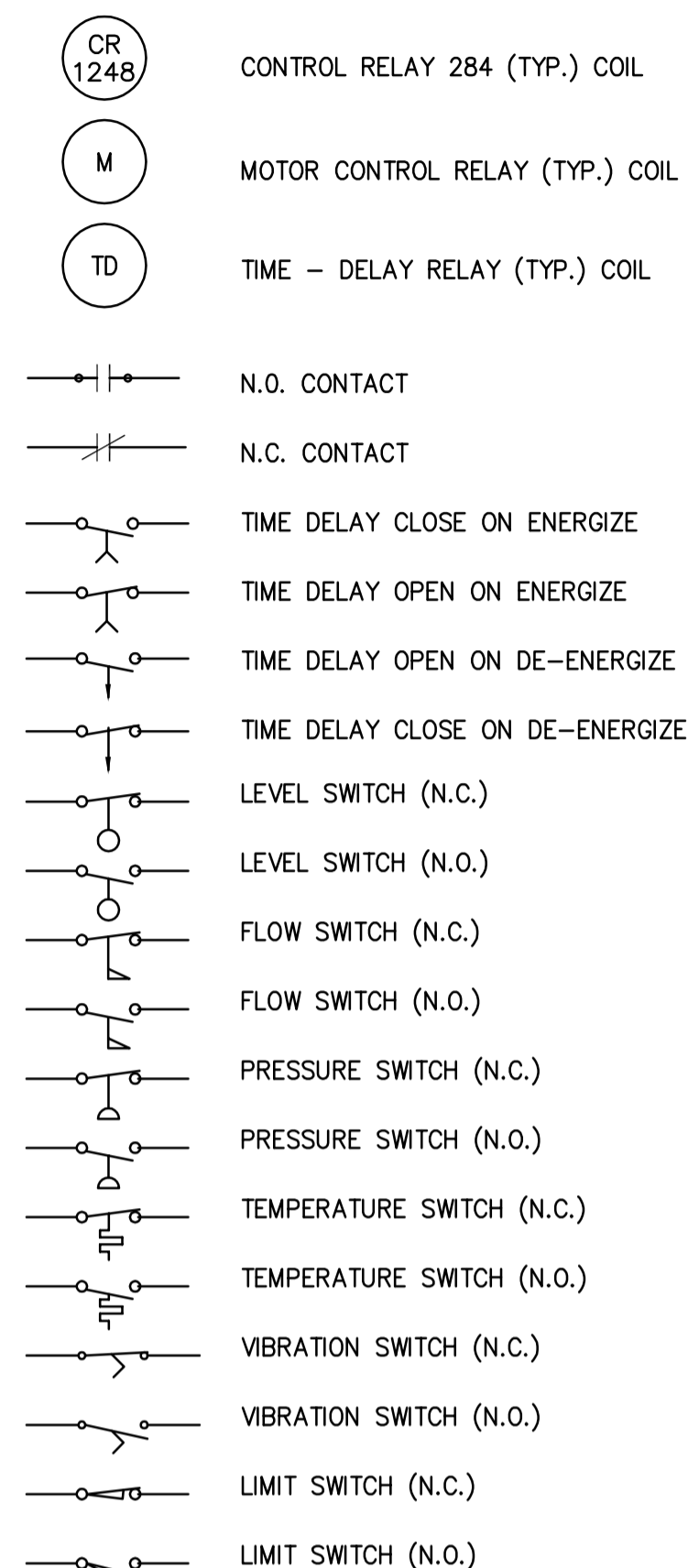
3 PHASE TRANSFORMER CONNECTION SYMBOLS



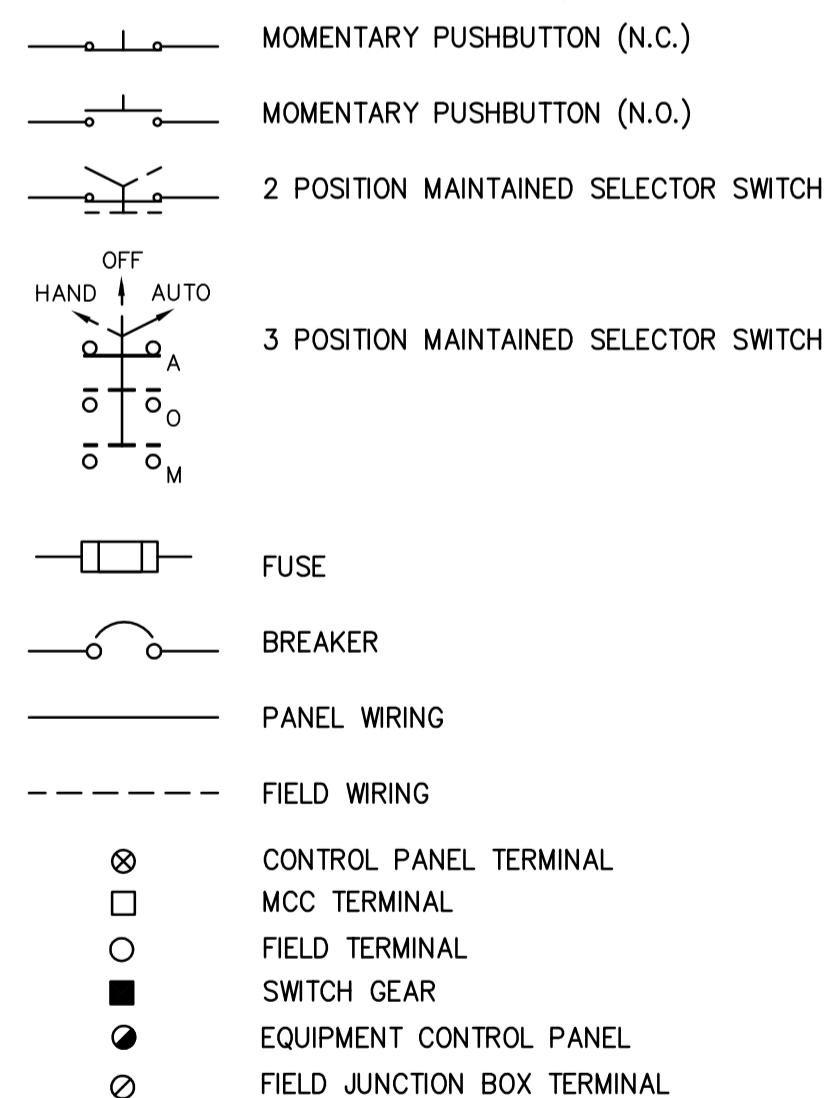
FEEDER IDENTIFICATION SYMBOL



SCHEMATIC



SWITCH FUNCTION DESCRIPTOR, PLACED BELOW SWITCH SYMBOL
 FIRST LETTER: C (CLOSE) OR O (OPEN)
 SECOND LETTER: O (ON)
 THIRD LETTER: H (HIGH) OR L (LOW) OPTIONAL
 FOURTH LETTER: VARIABLE, e.g. L (LEVEL), P (PRESSURE), ETC.



FOR INFORMATION ONLY - NOT IN CONTRACT

B.M. ELEV.			ENGINEER'S SEAL	THE CITY OF WINNIPEG WATER AND WASTE DEPARTMENT ENGINEERING DIVISION	CITY FILE NUMBER
	DESIGNED BY: BLM	CHECKED BY: ERC			WATER TREATMENT PLANT CLEARWELL CONSTRUCTION
	DRAWN BY:	APPROVED BY:		ELECTRICAL LEGEND SINGLE LINE & SCHEMATIC SYMBOLS	CITY DRAWING NUMBER
	HOR. SCALE:	RELEASED FOR CONSTRUCTION BY:	CONSULTANT DRAWING NO. WM-E010		
00 NO. REVISIONS	05/04/17 DATE BY: ERC	2005/03/31 DATE			