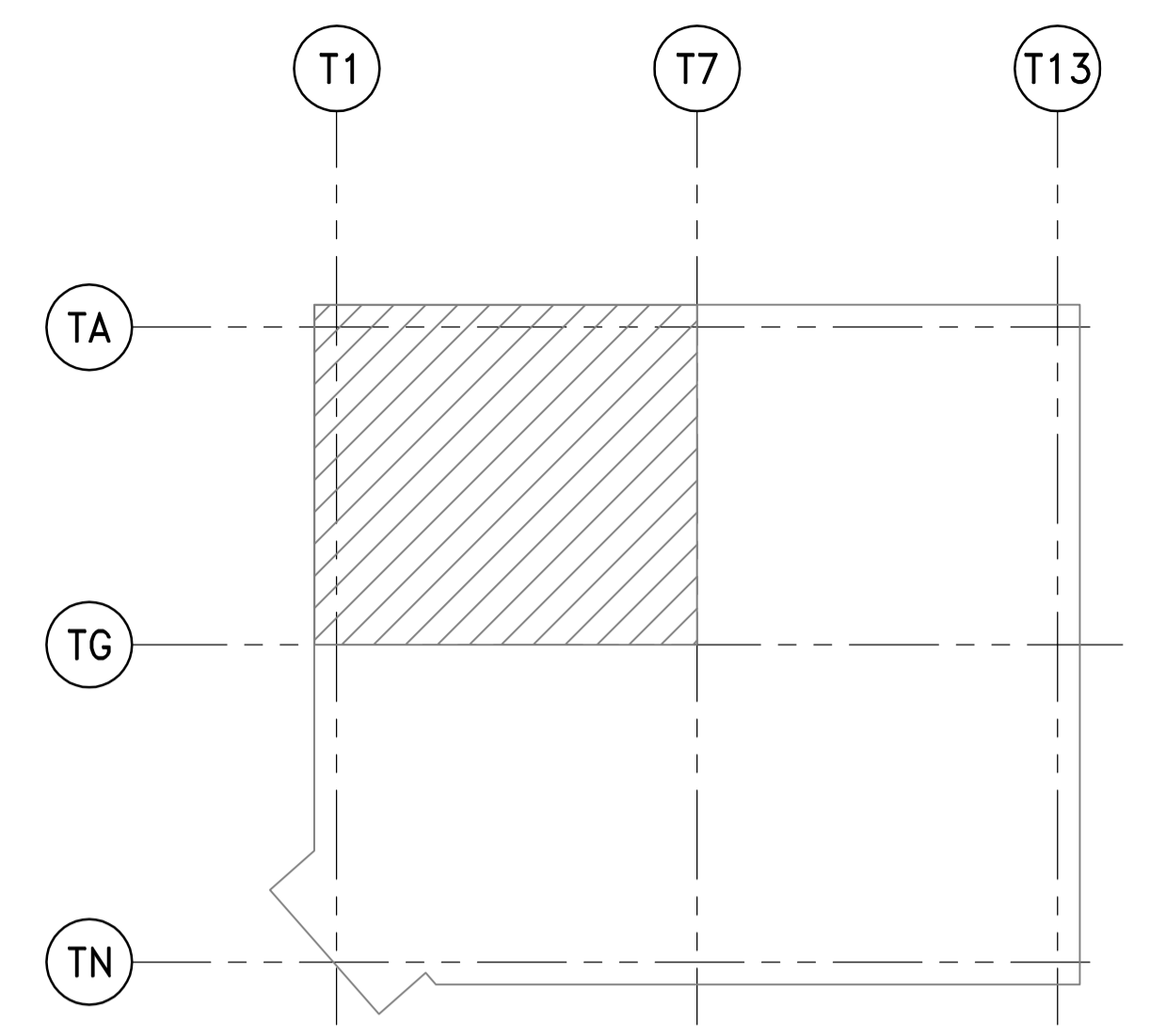


THIS COL. LOC. ONLY, PILE REVISED TO ACCOMADATE TEST PILE INSTALLATION

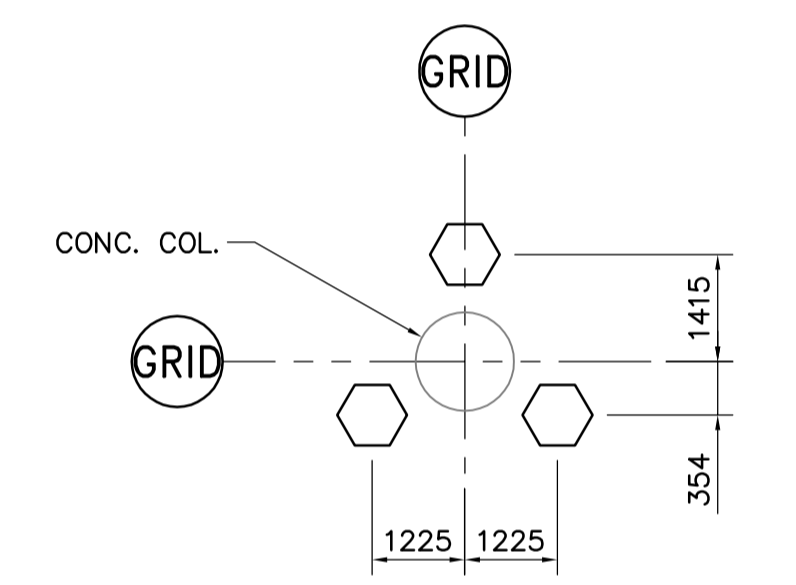
PARTIAL PILING PLAN
1:100

LEGEND

- EXISTING TEST PRECAST PILES



KEY PLAN
N.T.S.



TYPICAL 3 PILE DETAIL
1:50

- DRAWING NOTES:**
1. ALL PILES ARE 400 DIAMETER PRECAST UNLESS NOTED OTHERWISE.
 2. REFER TO DRAWING WT-S002 FOR GRID LINE DIMENSIONS.
 3. PILE CUT OFF ELEVATIONS VARY 300±.

APEGN
Certificate of Authorization
Earth Tech Canada Inc.
No. 730 Expiry: April 30, 2005

B.M. ELEV.					
DESIGNED BY	FK	CHECKED BY	MK		
DRAWN BY	C.T.	APPROVED BY	AHL		
HOR. SCALE:	AS NOTED	RELEASED FOR CONSTRUCTION BY:	R. SOROKOWSKI		
VERTICAL SCALE:		DATE	2005-04-17		
NO. REVISIONS		DATE	2005/02/28	DATE	2005-04-17

ENGINEER'S SEAL
ORIGINAL SIGNED BY
F.A. KEMP
2005/04/17
CONSULTANT DRAWING NO.
WT-S003

THE CITY OF WINNIPEG
WATER AND WASTE DEPARTMENT
ENGINEERING DIVISION

**WATER TREATMENT PLANT
CLEARWELL CONSTRUCTION**

STRUCTURAL
PARTIAL PILING PLAN

CITY FILE NUMBER
SHEET OF
CITY DRAWING NUMBER
1-0601T-B-S0003-001-00D