

WINNIPEG WATER TREATMENT PROGRAM

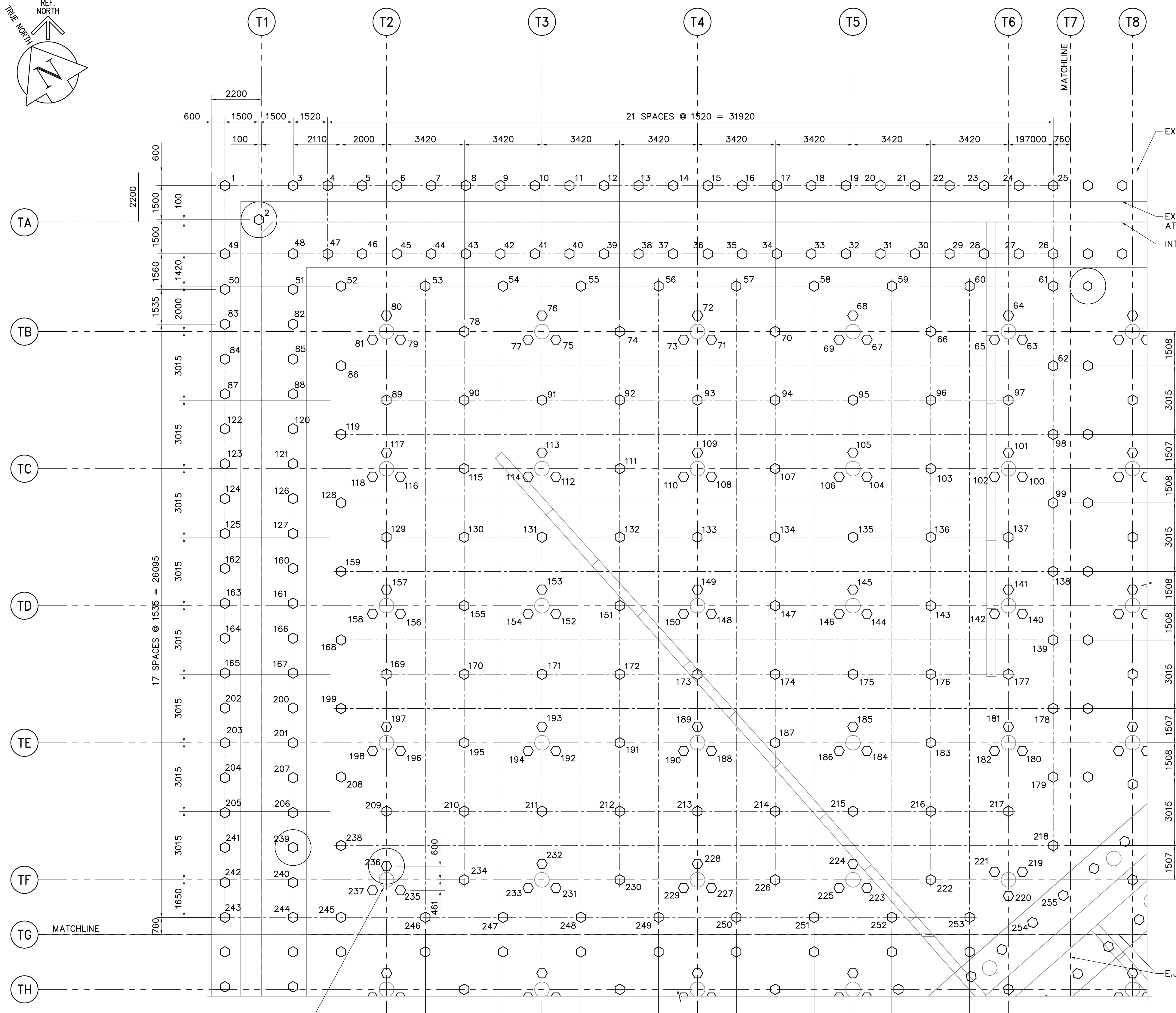
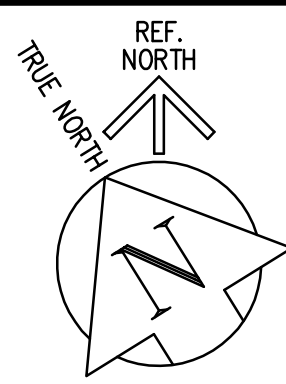


PILE DRIVING RECORDS

FOR CONTRACT

166-2005 – CLEARWELL CONSTRUCTION

ISSUED AUGUST 21, 2006



THIS COL. LOC. ONLY, PILE REVISED TO ACCOMMODATE TEST PILE INSTALLATION

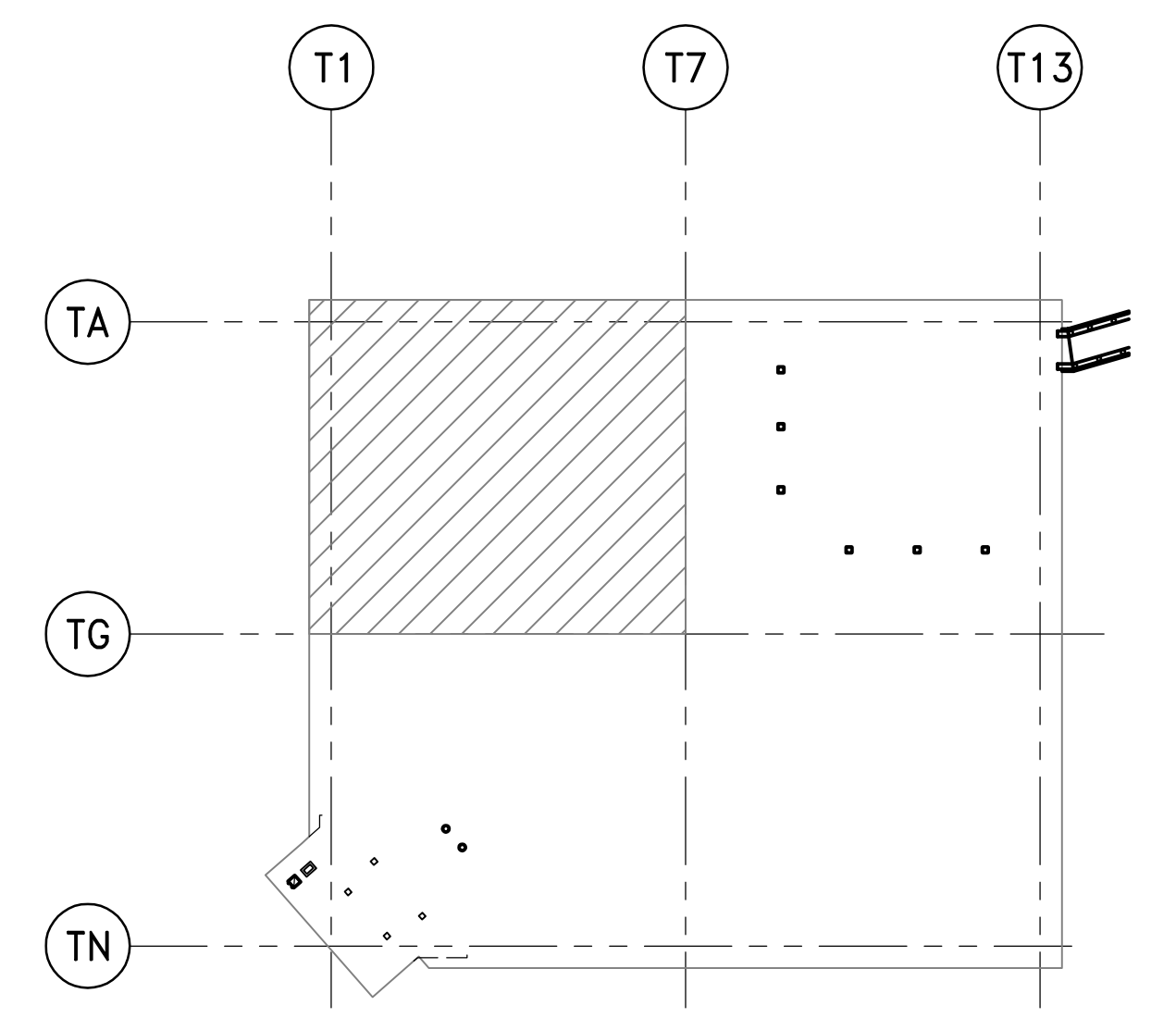
PARTIAL PILING PLAN (No. 1 - 255)
1:100

LEGEND

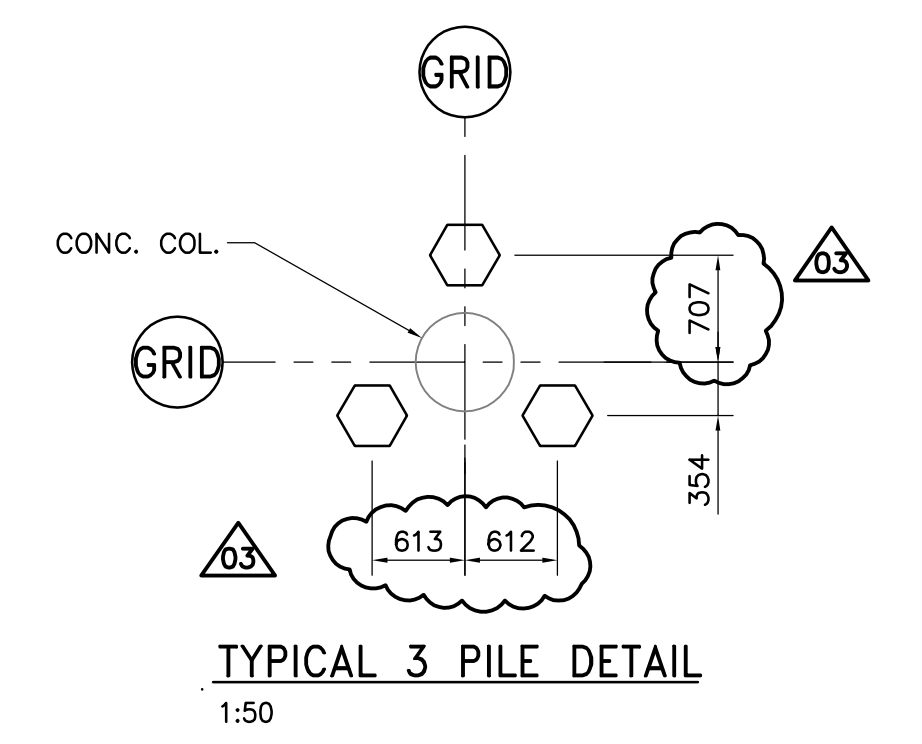
- EXISTING TEST PRECAST PILES



B.M. ELEV.				ENGINEER'S SEAL	
		Frederickson Cooper ARCHITECTS		ORIGINAL SIGNED BY	
		DESIGNED BY: FK	CHECKED BY: MK	F.A. KEMP	
		DRAWN BY: C.T.	APPROVED BY: AHL	2005/04/17	
03 GENERAL REVISIONS 05/07/21 C.T.		HOR. SCALE: AS NOTED		CONSULTANT DRAWING NO. WT-S003	
02 ISSUED FOR INFO ONLY 05/06/23 C.T.		VERTICAL SCALE:			
01 ISSUED FOR CONSTRUCTION 05/06/08 C.T.		RELEASED FOR CONSTRUCTION BY: R. SOROKOWSKI			
00 ISSUED FOR TENDER 05/04/17 C.T.		DATE 2005/02/28			
NO. REVISIONS		DATE 2005-04-17			



KEY PLAN
N.T.S.



TYPICAL 3 PILE DETAIL
1:50

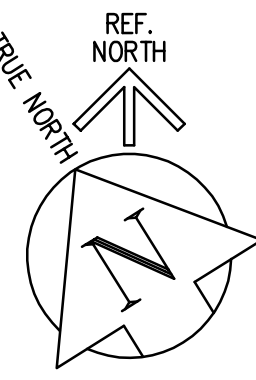
- DRAWING NOTES:**
- ALL PILES ARE 400 DIAMETER PRECAST UNLESS NOTED OTHERWISE.
 - REFER TO DRAWING WT-S002 FOR GRID LINE DIMENSIONS.
 - PILE CUT OFF ELEVATIONS VARY 300±. FOR PILE CUT OFF ELEVATIONS REFER TO PILE CUT OFF SCHEDULE DATED JULY 14, 2005 REVISED JULY 21, 2005.

THE CITY OF WINNIPEG
WATER AND WASTE DEPARTMENT
ENGINEERING DIVISION

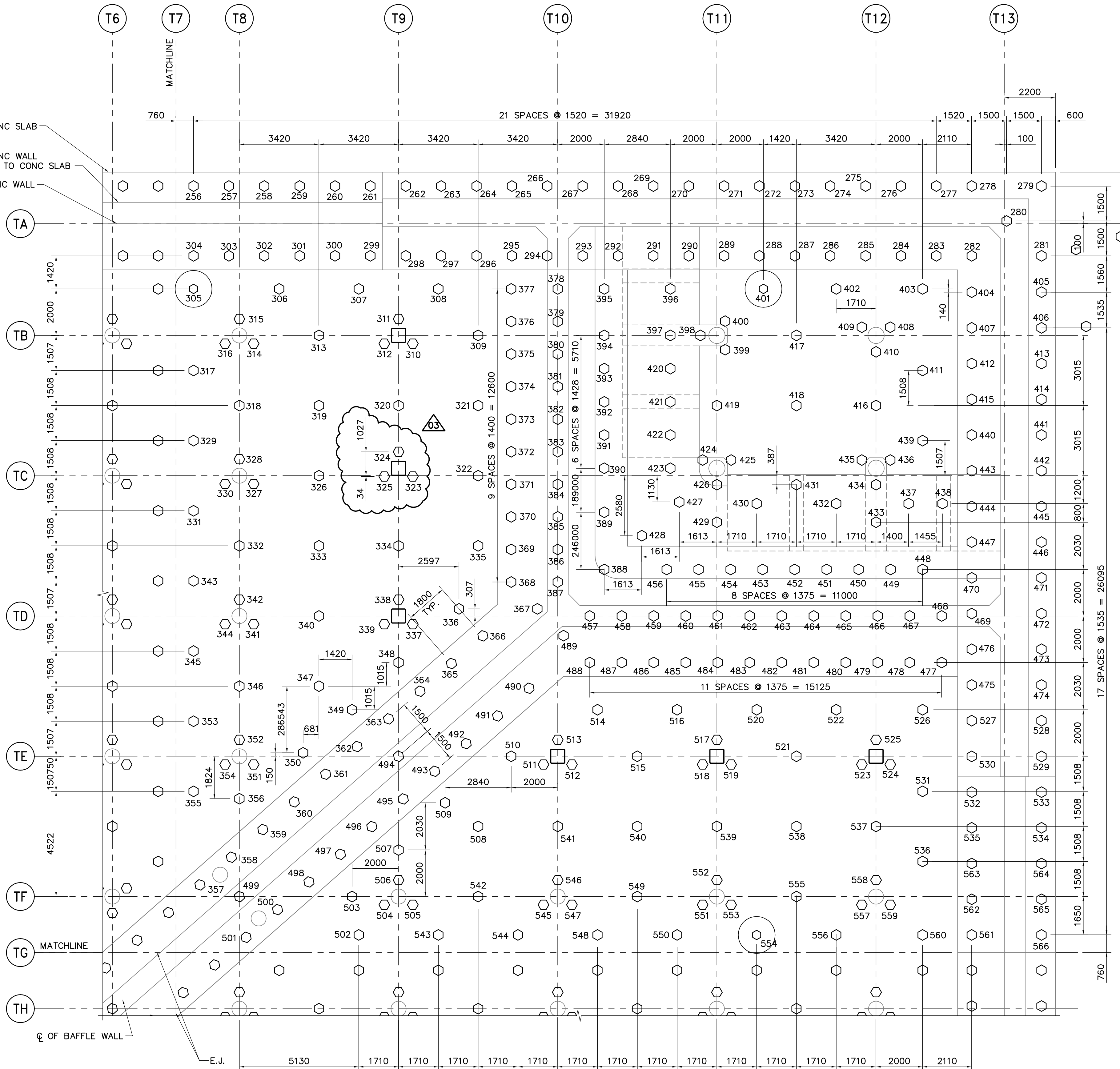
WATER TREATMENT PLANT CLEARWELL CONSTRUCTION

STRUCTURAL
PARTIAL PILING PLAN

CITY FILE NUMBER
SHEET OF
CITY DRAWING NUMBER
1-0601T-B-S0003-001-03D



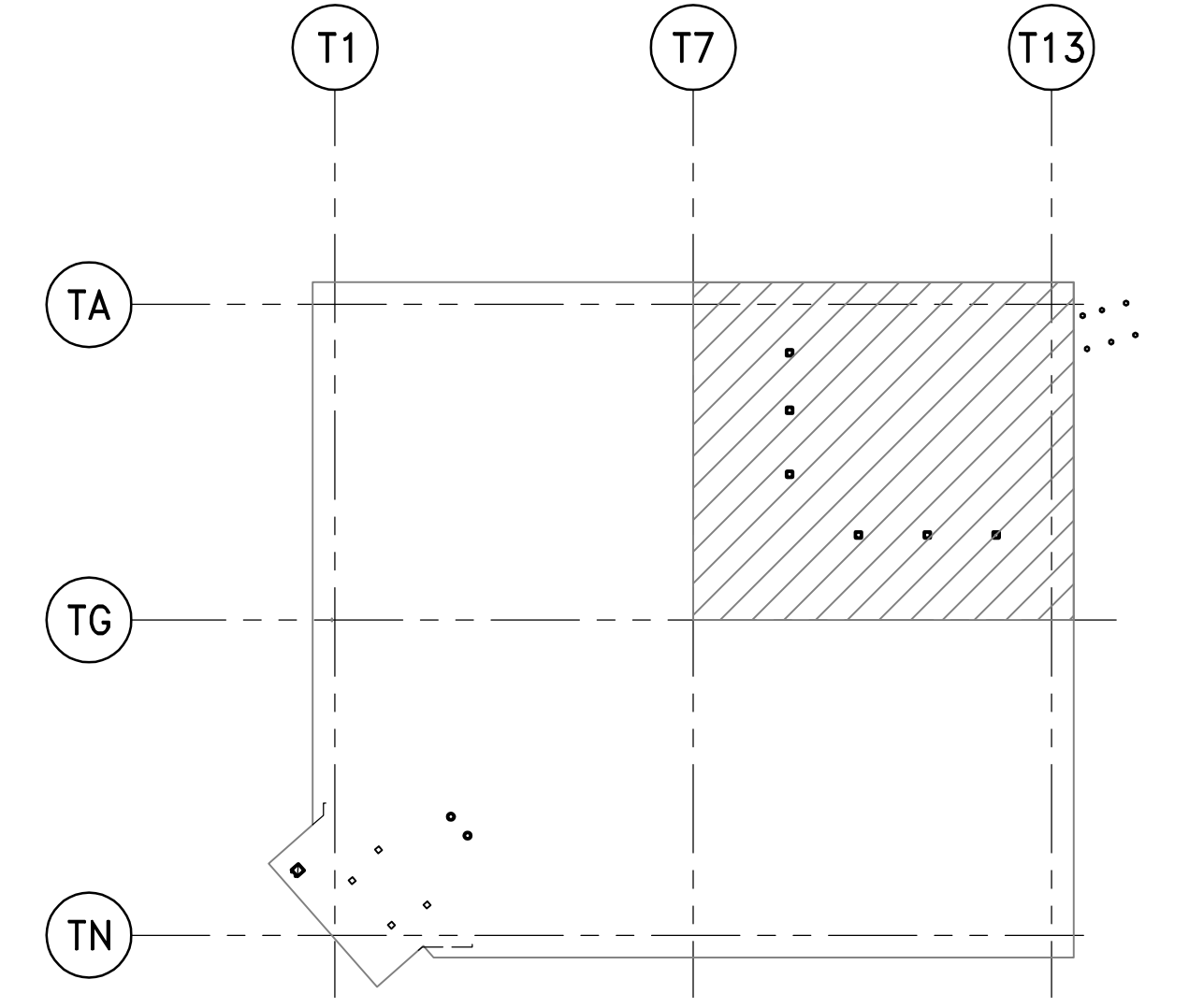
EXT FACE OF CONC SLAB
 EXT FACE OF CONC WALL
 AT INTERSECTION TO CONC SLAB
 INT FACE OF CONC WALL



PARTIAL PILING PLAN (No. 256 - 566)
 1:100

LEGEND

- EXISTING TEST PRECAST PILES



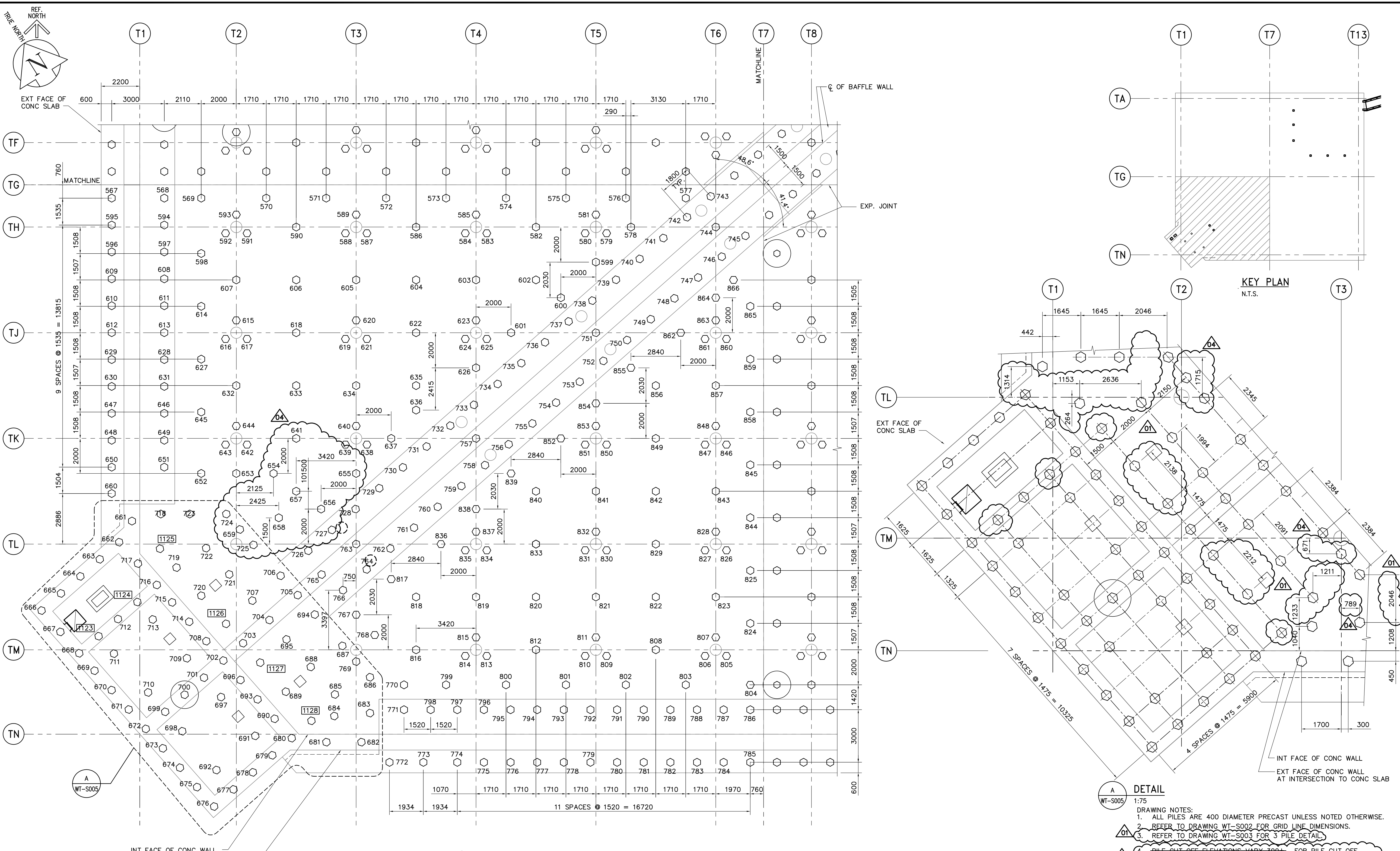
KEY PLAN
 N.T.S.

DRAWING NOTES:

1. ALL PILES ARE 400 DIAMETER PRECAST UNLESS NOTED OTHERWISE.
2. REFER TO DRAWING WT-S002 FOR GRID LINE DIMENSIONS.
3. REFER TO DRAWING WT-S003 FOR 3 PILE DETAIL.

03. FILE CUT OFF ELEVATIONS VARY 300±. FOR PILE CUT OFF ELEVATIONS REFER TO PILE CUT OFF SCHEDULE DATED JULY 14, 2005 REVISED JULY 21, 2005.

B.M. ELEV.	CH2M HILL	EarthTech A Tyco International Ltd. Company	ENGINEER'S SEAL	THE CITY OF WINNIPEG WATER AND WASTE DEPARTMENT ENGINEERING DIVISION	CITY FILE NUMBER
	Frederickson Cooper ARCHITECTS		ORIGINAL SIGNED BY F.A. KEMP		SHEET OF
	DESIGNED BY: FK	CHECKED BY: MK	2005/04/17	WATER TREATMENT PLANT CLEARWELL CONSTRUCTION	CITY DRAWING NUMBER
	DRAWN BY: C.T.	APPROVED BY: AHL			STRUCTURAL PARTIAL PILING PLAN
03 GENERAL REVISIONS 05/07/21 C.T.	HOR. SCALE: AS NOTED		RELEASED FOR CONSTRUCTION BY: R. SOROKOWSKI	CONSULTANT DRAWING NO. WT-S004	
02 ISSUED FOR INFO ONLY 05/06/23 C.T.	VERTICAL SCALE:		DATE: 2005-02/08		
01 ISSUED FOR CONSTRUCTION 05/06/08 C.T.			DATE: 2005-04-17		
00 ISSUED FOR TENDER 05/04/17 C.T.					
NO. REVISIONS	DATE	BY			



PARTIAL PILING PLAN (No. 567 - 866 & 1123-1128) 03
1:100

LEGEND
 - EXISTING TEST PRECAST PILES

APEGM
 Certificate of Authorization
 Earth Tech Canada Inc.
 No. 730 Expiry: April 30, 2006

NO.	REVISIONS	DATE	BY	DATE
04	GENERAL REVISIONS	05/07/21	C.T.	
03	ISSUED FOR INFO ONLY	05/06/23	C.T.	
02	ISSUED FOR CONSTRUCTION	05/06/08	C.T.	
01	166-2005 ADDENDUM 1	05/05/06	C.T.	
00	ISSUED FOR TENDER	05/04/17	C.T.	

CH2M HILL
 Frederickson Cooper
 ARCHITECTS

EarthTech
 A Trane International Ltd. Company

DESIGNED BY: FK
 CHECKED BY: MK
 DRAWN BY: C.T.
 APPROVED BY: AHL

HOR. SCALE: AS NOTED
 VERTICAL SCALE:
 RELEASED FOR CONSTRUCTION BY:
R. SOROKOWSKI

DATE: 2005/02/08
 DATE: 2005-04-17

ENGINEER'S SEAL
 ORIGINAL SIGNED BY
F.A. KEMP
 2005/04/17

CONSULTANT DRAWING NO.
 WT-S005

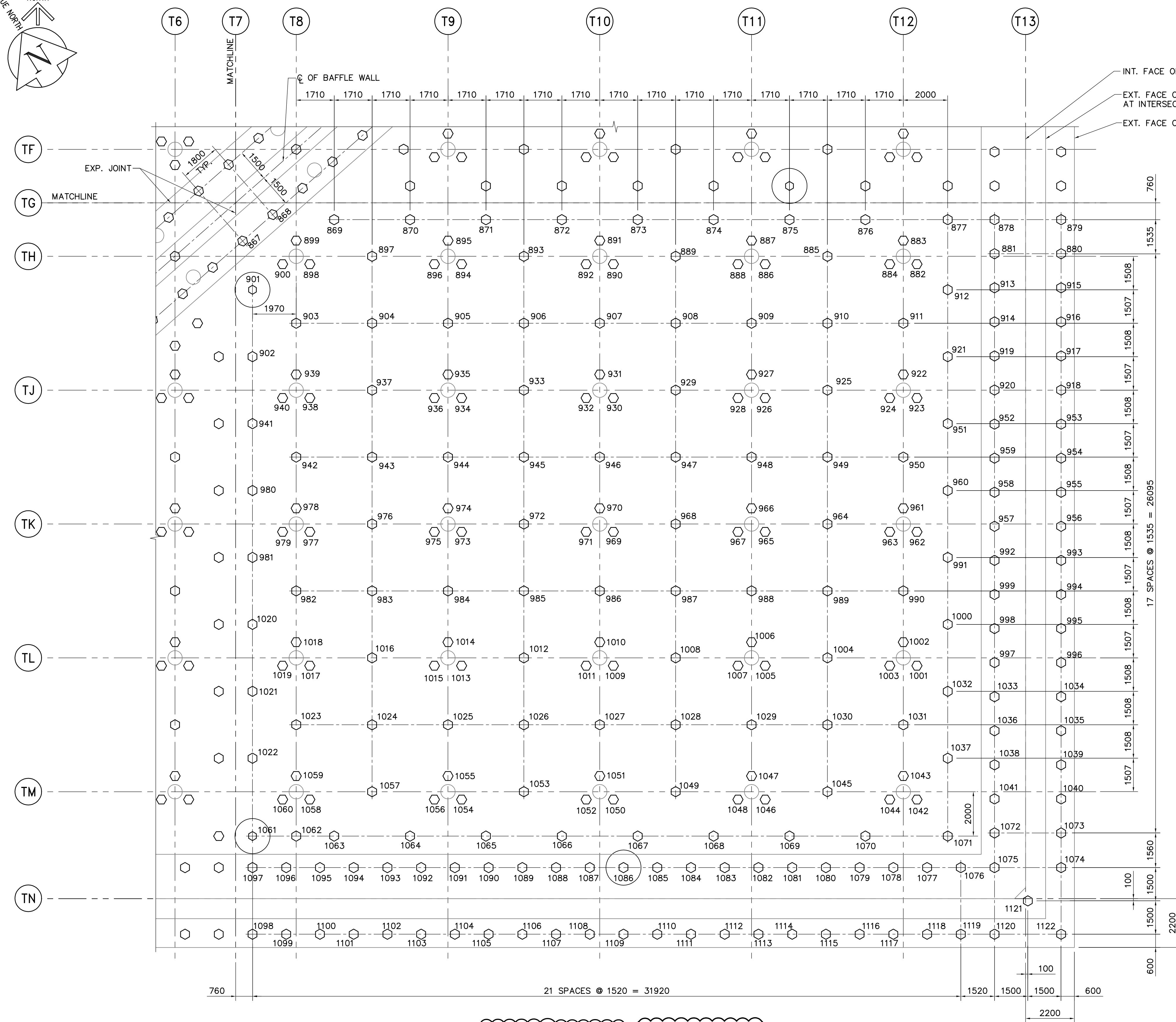
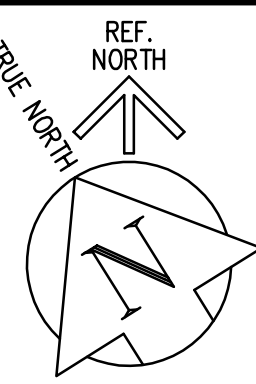
THE CITY OF WINNIPEG
 WATER AND WASTE DEPARTMENT
 ENGINEERING DIVISION

WATER TREATMENT PLANT
 CLEARWELL CONSTRUCTION

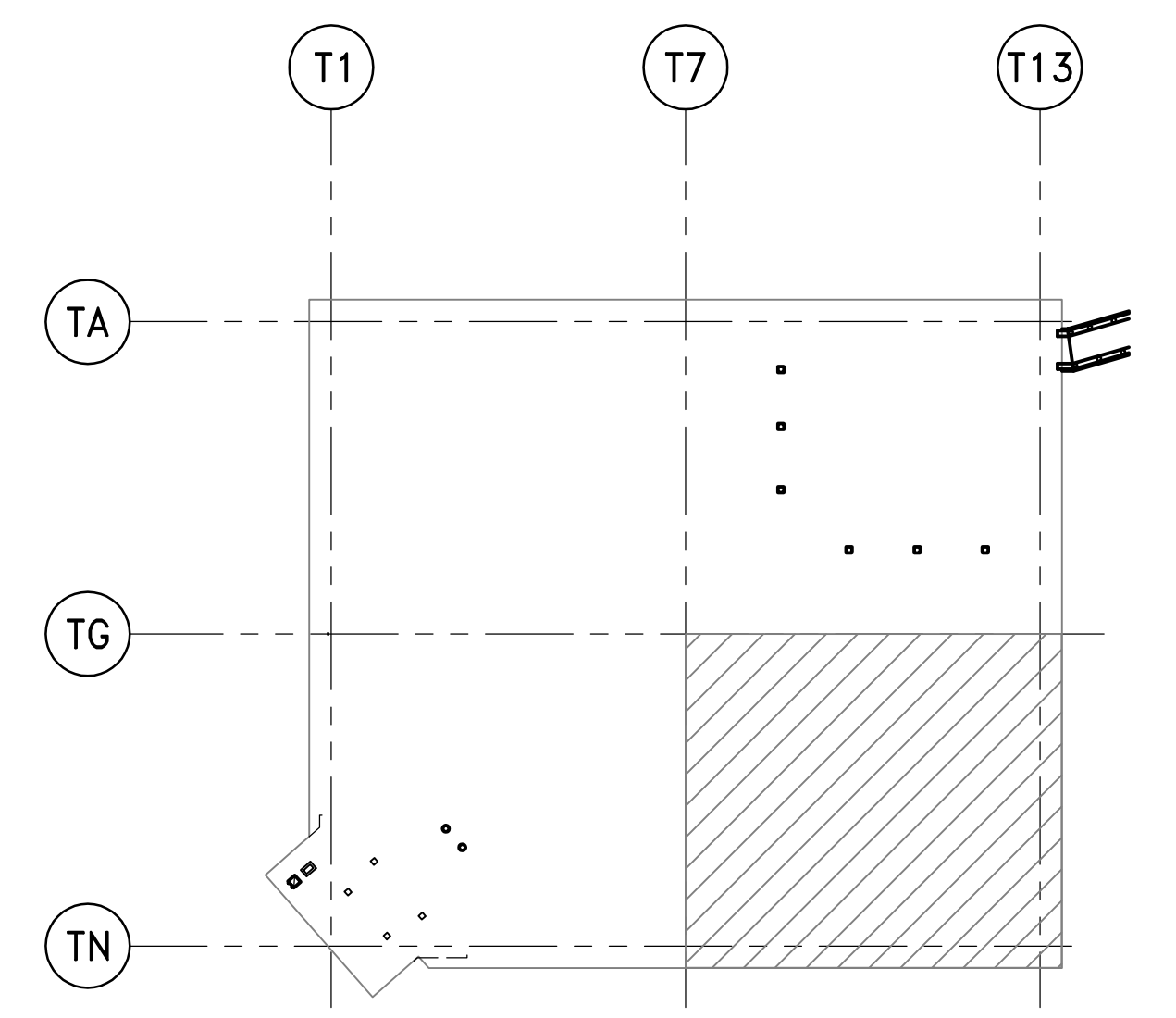
STRUCTURAL
 PARTIAL PILING PLAN

CITY FILE NUMBER
 SHEET OF
 CITY DRAWING NUMBER
1-06011-B-S0005-001-04D

- DETAIL**
 1:75
 DRAWING NOTES:
 1. ALL PILES ARE 400 DIAMETER PRECAST UNLESS NOTED OTHERWISE.
 2. REFER TO DRAWING WT-S002 FOR GRID LINE DIMENSIONS.
 3. REFER TO DRAWING WT-S003 FOR 3 PILE DETAIL.
 4. PILE CUT OFF ELEVATIONS VARY 300mm. FOR PILE CUT OFF ELEVATIONS REFER TO PILE CUT OFF SCHEDULE DATED JULY 14, 2005 REVISED JULY 21, 2005.



INT. FACE OF CONC. WALL
 EXT. FACE OF CONC. WALL AT INTERSECTION TO CONC. SLAB
 EXT. FACE OF CONC. SLAB



KEY PLAN
 N.T.S.

PARTIAL PILING PLAN (No. 867 - 1122)
 1:100

LEGEND
 - EXISTING TEST PRECAST PILES

APEGM
 Certificate of Authorization
 Earth Tech Canada Inc.
 No. 730 Expiry: April 30, 2006

B.M.	ELEV.	DATE	BY

DESIGNED BY	CHECKED BY
FK	MK
DRAWN BY	APPROVED BY
C.T.	AHL
HOR. SCALE:	RELEASED FOR CONSTRUCTION BY:
AS NOTED	R. SOROKOWSKI
VERTICAL SCALE:	DATE
	2005/02/08
DATE	DATE
2005/02/08	2005-04-17

ENGINEER'S SEAL
 ORIGINAL SIGNED BY
 F.A. KEMP
 2005/04/17
 CONSULTANT DRAWING NO.
 WT-S006

THE CITY OF WINNIPEG
 WATER AND WASTE DEPARTMENT
 ENGINEERING DIVISION

WATER TREATMENT PLANT
 CLEARWELL CONSTRUCTION

STRUCTURAL
 PARTIAL PILING PLAN

CITY FILE NUMBER
 SHEET OF
 CITY DRAWING NUMBER
 1-0601T-B-S0006-001-03D

- DRAWING NOTES:
- ALL PILES ARE 400 DIAMETER PRECAST UNLESS NOTED OTHERWISE.
 - REFER TO DRAWING WT-S002 FOR GRID LINE DIMENSIONS.
 - REFER TO DRAWING WT-S003 FOR 3 PILE DETAIL.
 - PILE CUT OFF ELEVATIONS VARY 300±. FOR PILE CUT OFF ELEVATIONS REFER TO PILE CUT OFF SCHEDULE DATED JULY 14, 2005 REVISED JULY 21, 2005.

THE CITY OF WINNIPEG - WATER TREATMENT PLANT - CLEARWELL

PILE NUMBER	PILE LENGTH (M)	DEPTH PREBORED (M)	FINAL TOP ELEV.	FINAL TIP ELEV.	DES. CUTOFF ELEV.	ACT. CUTOFF ELEV.	PILE PLUMBNESS	FINAL SET			MANUFACTURERS MARKINGS R = RE-DRIVEN
								1 ST SET	2 ND SET	3 RD SET	
279	17	2.7	232.159	215.159			✓	22	17	15	1919, July 14. 05
281	"	"	232.954	215.954			✓	22	19	22	"
405	"	"	232.904	215.904			✓	17	19	20	1920, "
406	"	3.0	232.909	215.909			✓	22	17	13	1622, June 24. 05
280	"	2.7	232.729	215.729			✓	22	17	15	1623, "
278	"	1.6	232.673	215.673			✓	17	20	19	1621, "
282	"	2.4	232.988	215.988			✓	19	16	15	1618, "
404	"	2.4					✓	20	19	17	1619, "
407	"	2.4					✓	23	19	15	1524, "

1/2 bar beam

• FOLLOWER USED, REFUSAL CRITERIA INCREASED 50%.

PILE #

COMMENTS

PILE #	COMMENTS

 INSPECTOR: *Paul Bluhm*



A Tyco International Ltd. Company

PILE DRIVING RECORDS

DATE:

July 28.05

THE CITY OF WINNIPEG - WATER TREATMENT PLANT - CLEARWELL

PILE NUMBER	PILE LENGTH (m)	DEPTH PREBORED (m)	FINAL TOP ELEV.	FINAL TIP ELEV.	DES. CUTOFF ELEV.	ACT. CUTOFF ELEV.	PILE PLUMBNESS	FINAL SET			MANUFACTURERS MARKINGS R = RE-DRIVEN
								1 ST SET	2 ND SET	3 RD SET	
403	16	2.8	231.608	215.608			✓	20	15	10	1434, June 15, 05
283	16	2.8	231.878	215.878			✓	20	15	15	1428, " 05
276	16	3.7	231.734	215.734			✓	22	15	10	1425,
277	16	3.4	231.835	215.835			✓	21	19	17	1427, "
284	16	3.7	231.676	215.676			✓	20	17	15	1395, June 14, 05
273	16	3.7	231.732	215.732			✓	21	19	17	1393, "
274	16	3.7	231.757	215.757			✓	20	20	17	1394, " "
275	16	3.7	232.184	216.184			✓	21	17	15	1396, "
287	16	3.7	231.499	215.499			✓	20	17	13	1420, June 15, 05
286	16	3.7	231.216	215.216			✓	15	14	10	1430, "

• FOLLOWER USED, REFUSAL CRITERIA INCREASED 50%.

PILE #	COMMENTS

PAGE # 1 OF 4

INSPECTOR: R. Bluhm

THE CITY OF WINNIPEG - WATER TREATMENT PLANT - CLEARWELL

PILE NUMBER	PILE LENGTH	DEPTH PREBORED	FINAL TOP ELEV.	FINAL TIP ELEV.	DES. CUTOFF ELEV.	ACT. CUTOFF ELEV.	PILE PLUMBNESS	FINAL SET			MANUFACTURERS MARKINGS R = RE-DRIVEN
								1 ST SET	2 ND SET	3 RD SET	
285	16	2.4	231.438	215.438			✓	19	15	10	1400, June 14.05
269	16	2.9	231.547	215.547			✓	19	17	15	1246, June 07.05
270	16	2.9	231.691	215.691			1.75%	21	19	17	1248, "
290	16	3.0	231.352	215.352			✓	20	15	10	1288, June 08.05
289	16	3.0	231.584	215.584			✓	21	15	10	1245, June 07.05
271	16	3.0	231.487	215.487			✓	20	15	15	1280, June 08.05
288	16	3.0	231.626	215.626			✓	15	10	15	1242, June 07.05
272	16	3.0	231.857	215.857			✓	19	17	15	1200, June 06.05
291	16	3.2	231.401	215.401			✓	20	15	13	1208, "
266	16	3.0	231.362	215.362			✓	21	19	17	1286, June 08.05

• FOLLOWER USED, REFUSAL CRITERIA INCREASED 50%.

PILE #	COMMENTS

 INSPECTOR: *R. Blum*

THE CITY OF WINNIPEG - WATER TREATMENT PLANT - CLEARWELL

PILE NUMBER	PILE LENGTH	DEPTH PREBORED	FINAL TOP ELEV.	FINAL TIP ELEV.	DES. CUTOFF ELEV.	ACT. CUTOFF ELEV.	PILE PLUMBNESS	FINAL SET			MANUFACTURERS MARKINGS R = RE-DRIVEN
								1 ST SET	2 ND SET	3 RD SET	
294	16	3.0	231.464	215.646			✓	20	15	10	1280, June 08.05
267	16	3.0	231.711	215.711			✓	23	19	17	1215, June 07.05
268	16	3.2	231.468	215.460			✓	21	17	15	1282, June 08.05
293	16	3.0	⁽²³¹⁾ 231.504	215.504			✓	19	17	17	1283, "
292	16	2.9	231.536	215.536			✓	23	21	19	1367, June 13.05
263	16	3.1	^{231.448} 215. 231.448	215.448			✓	21	19	17	1287, June 08.05
297	16	3.0	231.308	215.308			✓	20	17	13	1247, June 07.05
296	16	3.0	231.344	215.344			✓	21	20	17	1179, June 02.05
264	16	3.0	231.508	215.508			✓	19	13	5	1281, June 08.05
285	16	2.9	231.647	215.647			✓	20	17	15	1186, June 02.05

• FOLLOWER USED, REFUSAL CRITERIA INCREASED 50%.

PILE #	COMMENTS



A Tyco International Ltd. Company

PILE DRIVING RECORDS

DATE: July 26, 05

THE CITY OF WINNIPEG - WATER TREATMENT PLANT - CLEARWELL

PILE NUMBER	PILE LENGTH	DEPTH PREBORED	FINAL TOP ELEV.	FINAL TIP ELEV.	DES. CUTOFF ELEV.	ACT. CUTOFF ELEV.	PILE PLUMBNESS	FINAL SET			MANUFACTURERS MARKINGS R = RE-DRIVEN
								1 ST SET	2 ND SET	3 RD SET	
265	16	2.8	231.344	215.344			✓	19	15	13	1182, June 22, 05
260	16	3.0	231.326	215.326			✓	21	15	9	1204, June 06, 05
300	16	3.1	231.327	215.327			✓	19	13	10	1401, June 14, 05
299	16	3.0	231.344	215.344			✓	19	15	5	1402, June 14
261	16	3.0	231.393	215.393			✓	21	17	15	1399, "
262	16	2.9	231.405	215.405			✓	20	15	10	1397, "
298	16	3.1	231.267	215.267			✓	20	20	20	1424, June 15, 05

• FOLLOWER USED, REFUSAL CRITERIA INCREASED 50%.

PILE #	COMMENTS


INSPECTOR:

THE CITY OF WINNIPEG - WATER TREATMENT PLANT - CLEARWELL

PILE NUMBER	PILE LENGTH	DEPTH PREBORED	FINAL TOP ELEV.	FINAL TIP ELEV.	DES. CUTOFF ELEV.	ACT. CUTOFF ELEV.	PILE PLUMBNESS	FINAL SET			MANUFACTURERS MARKINGS R = RE-DRIVEN
								1 ST SET	2 ND SET	3 RD SET	
256	16	3.1	231.890	215.890			✓	20	17	15	1366, June 13, 05
303	16	3.0	231.626	215.626			✓	23	19	15	1239, June 07, 05
257	16	3.0	231.783	215.783			✓	21	17	10	1398, June 14, 05
302	16	2.8	231.558	215.558			✓	23	17	8	1207, June 06, 05
258	16	3.0	231.636	215.636			✓	19	10	5	1369, June 13, 05
259	16	3.2	231.555	215.555			✓	23	17	13	1368, "
301	16	3.0	231.461	215.461			✓	21	19	15	NA,
304	16	3.0	231.715	215.715			✓	23	19	15	1181, June 02, 05
533	17	3.0	233.298	216.298			✓	23	22	20	1945, July 15, 05
529	17	3.0	233.169	216.169 215.769			✓	23	20	17	1947, "

• FOLLOWER USED, REFUSAL CRITERIA INCREASED 50%.

PILE #	COMMENTS

 INSPECTOR: 

THE CITY OF WINNIPEG - WATER TREATMENT PLANT - CLEARWELL

PILE NUMBER	PILE LENGTH	DEPTH PREBORED	FINAL TOP ELEV.	FINAL TIP ELEV.	DES. CUTOFF ELEV.	ACT. CUTOFF ELEV.	PILE PLUMBNESS	FINAL SET			MANUFACTURERS MARKINGS R = RE-DRIVEN
								1 ST SET	2 ND SET	3 RD SET	
528	17	2.9	233.196	216.196			✓	24	20	16	1946, July 15
474	17	3.0	233.184	216.184			✓	21	21	21	1948, "
473	17	3.2	233.111	216.111			✓	17	9	7	194?, July 14
472	17	3.0	233.148	216.148			✓	19	14	13	1927, "
471	17	3.0	233.108	216.108			✓	24	15	11	1925, "
446	17	3.0	233.092	216.092			✓	15	7	5	NA piles installed
445	17	3.0	233.013	216.013			✓	21	7	7	" upside down,
442	17	3.0	233.042	216.042			✓	19	7	5	" instructed contractor
441	17	3.1	233.123	216.123			✓	21	15	12	" do correctly
440	15	3.0	230.936	215.936			✓	19	17	15	1751. July 04, 05

• FOLLOWER USED, REFUSAL CRITERIA INCREASED 50%.

PILE #	COMMENTS

INSPECTOR:

THE CITY OF WINNIPEG - WATER TREATMENT PLANT - CLEARWELL

PILE NUMBER	PILE LENGTH	DEPTH PREBORED	FINAL TOP ELEV.	FINAL TIP ELEV.	DES. CUTOFF ELEV.	ACT. CUTOFF ELEV.	PILE PLUMBNESS	FINAL SET			MANUFACTURERS MARKINGS R = RE-DRIVEN
								1 ST SET	2 ND SET	3 RD SET	
415	15	2.9	230.819	215.819			✓	19	17	10	1957, July 04, 05
* 414	17	3.0	228.625	211.625			✓	21	21	19	
413	17	3.0					✓	17	15	7	NA
412	16	3.0	231.643	215.643			✓	21	14	9	1180, June 02, 05
411	16	2.8	232.167	216.167			✓	20	15	11	1303, June 09, 05
408	16	3.0	231.650	215.650			✓	19	13	9	1248, June 07, 05
410	16	3.0	231.867	215.867			✓	18	16	15	1241, "
409	16	3.0	227.943	211.943			✓	20	20	17	1306, June 09, 05
402	16	3.0	231.525	215.525			✓	20	17	15	1340, June 10, 05
470	15	3.0	231.066	216.066			✓	19	12	5	1752, July 01, 05

* FOLLOWER USED, REFUSAL CRITERIA INCREASED 50%.

PILE #	COMMENTS

INSPECTOR:

THE CITY OF WINNIPEG - WATER TREATMENT PLANT - CLEARWELL

PILE NUMBER	PILE LENGTH	DEPTH PREBORED	FINAL TOP ELEV.	FINAL TIP ELEV.	DES. CUTOFF ELEV.	ACT. CUTOFF ELEV.	PILE PLUMBNESS	FINAL SET			MANUFACTURERS MARKINGS R = RE-DRIVEN
								1 ST SET	2 ND SET	3 RD SET	
447	15	3.0	231.040	216.040			✓	15	09	5	1755, July 04, 05
444	15	3.0	231.120	216.120			✓	17	14	9	1727, June 30, 05
443	15	2.9	231.239	216.239			✓	20	13	11	1751, July 04, 05
475	15	3.1	231.122	215.122			✓	19	11	5	1754, "
476	15	3.0	231.031	215.031			✓	15	10	5	1726, June 30, 05
469	15	3.1	230.960	215.960			✓	15	9	7	1725, "
535	15	3.0	231.506	215.506			✓	19	15	10	1736, July 04, 05
532	15	3.0	231.476	215.476			✓	22	20	18	1728, June 30, 05
530	15	3.0	231.966	215.966			✓	19	17	15	1762, July 04, 05
527	15	3.1	231.823	215.823			✓	17	10	3	1761, "

• FOLLOWER USED, REFUSAL CRITERIA INCREASED 50%.

PILE #	COMMENTS

 INSPECTOR:

THE CITY OF WINNIPEG - WATER TREATMENT PLANT - CLEARWELL

PILE NUMBER	PILE LENGTH	DEPTH PREBORED	FINAL TOP ELEV.	FINAL TIP ELEV.	DES. CUTOFF ELEV.	ACT. CUTOFF ELEV.	PILE PLUMBNESS	FINAL SET			MANUFACTURERS MARKINGS R = RE-DRIVEN
								1 ST SET	2 ND SET	3 RD SET	
879	16	3.6	232.188	216.188			✓	17	13	13	1331 June 10, 05
566	16	3.6	232.586	216.586			✓	11	8	5	1342, "
565	16	3.4	232.777	216.777			✓	21	9	7	1338, "
561	15	3.5	231.400	215.400			✓	21	20	17	1760, July 04, 05
562	15	4.0	231.267	215.267			✓	23	17	15	1758, "
563	15	3.9	231.800	215.800			✓	21	19	13	1753, "
564	16	3.9	232.707	216.707			✓	21	17	16	1203, June 03, 05
534	16	4.0	232.742	216.742			✓	20	19	15	1337, June 10, 05

• FOLLOWER USED, REFUSAL CRITERIA INCREASED 50%.

PILE #	COMMENTS

INSPECTOR: R. Bluh



A Tyco International Ltd. Company

PILE DRIVING RECORDS

DATE:

July 28.05

THE CITY OF WINNIPEG - WATER TREATMENT PLANT - CLEARWELL

PILE NUMBER	PILE LENGTH	DEPTH PREBORED	FINAL TOP ELEV.	FINAL TIP ELEV.	DES. CUTOFF ELEV.	ACT. CUTOFF ELEV.	PILE PLUMBNESS	FINAL SET			MANUFACTURERS MARKINGS R = RE-DRIVEN
								1 ST SET	2 ND SET	3 RD SET	
878	16	4.0	232.523 230.780	216.523 214.160			✓	21	19	17	1302, June 09.05
881	16	3.9	232.707	216.707			✓	23	20	19	1206, June 03.05
880	16	4.0	232.173	216.173			✓	23	21	20	1304, June 04.05
915	16	4.0	232.112	216.112			✓	23	21	17	1301, June 09.05
916	16	3.9	231.936	215.936			✓	21	15	10	1205, June 03.05
913	16	3.9	232.865	216.865			✓	15	7	5	1341, June 10.05
917	16	4.0	231.944	215.944			✓	18	7	5	1208, June 03.05
918	16	4.0	231.689	215.689			✓	19	15	8	1309, June 09.05
953	16	3.9	231.397	215.397			✓	21	19	13	1207, June 03.05
995 996	16	4.0	230.086	214.086			✓	20	15	13	1210, "

• FOLLOWER USED, REFUSAL CRITERIA INCREASED 50%.

PILE #

COMMENTS

INSPECTOR:

R. Blush

THE CITY OF WINNIPEG - WATER TREATMENT PLANT - CLEARWELL

PILE NUMBER	PILE LENGTH	DEPTH PREBORED	FINAL TOP ELEV.	FINAL TIP ELEV.	DES. CUTOFF ELEV.	ACT. CUTOFF ELEV.	PILE PLUMBNESS	FINAL SET			MANUFACTURERS MARKINGS R = RE-DRIVEN
								1 ST SET	2 ND SET	3 RD SET	
998	16	3.7	230.180	214.180			✓	21	18	17	1200, June 03, 05
914	16	3.9	232.545	216.545			✓	23	17	13	1205, "
919	16	4.0	231.927	215.927			✓	13	9	7	1243, June 10, 05
920	16	4.0	231.892	215.892			✓	17	15	15	1202, June 03, 05
952	16	4.0	231.642	215.642			✓	19	17	13	1183, June 02, 05
959	16	4.0	231.256	215.256			✓	22	10	12	1339, June 10, 05
951A	18	4.6	233.227	215.227			✓	19	16	15	1756, Nov 8, 04
26	16	3.2	232.039	216.039			✓	23	19	17	1202, June 06, 05
27	16	3.5	232.039	216.039			✓	21	15	7	1102, May 02, 05
28	16	3.3	231.989	215.989			✓	20	11	4	1339, June 11, 05

• FOLLOWER USED, REFUSAL CRITERIA INCREASED 50%.

PILE #

COMMENTS

PILE #	COMMENTS

THE CITY OF WINNIPEG - WATER TREATMENT PLANT - CLEARWELL

PILE NUMBER	PILE LENGTH	DEPTH PREBORED	FINAL TOP ELEV.	FINAL TIP ELEV.	DES. CUTOFF ELEV.	ACT. CUTOFF ELEV.	PILE PLUMBNESS	FINAL SET			MANUFACTURERS MARKINGS R = RE-DRIVEN
								1 ST SET	2 ND SET	3 RD SET	
25	16	3.5	232.477	216.477			✓	17	9	3	1204, June 03, 05
24	16	3.3	232.496	216.496			✓	21	21	19	1203, June 06, 05
29	16	3.2	232.128	216.128			✓	23	22	21	1307, June 09, 05
23	16	3.4	232.278	216.278			✓	21	17	19	1305, "
22	16	3.3	232.484	216.484			✓	20	17	15	1154, June 01, 05
21	16	3.4	232.600	216.600			✓	21	19	15	1188, June 02, 05
30	15	3.4	231.252	216.252			✓	17	15	10	1733, June 30, 05
31	15	3.4	231.525	216.525			✓	21	15	13	¹⁷³⁶ 1236 , "
32	15	3.2	231.526	216.526			✓	23	19	17	1702, June 29, 05
20	16	3.4	232.820	216.820			✓	21	15	13	1187 1 , June 2 1 , 05

• FOLLOWER USED, REFUSAL CRITERIA INCREASED 50%.

PILE #	COMMENTS

INSPECTOR: R. Bluh



A Tyco International Ltd. Company

PILE DRIVING RECORDS

DATE: July 29, 05

THE CITY OF WINNIPEG - WATER TREATMENT PLANT - CLEARWELL

PILE NUMBER	PILE LENGTH	DEPTH PREBORED	FINAL TOP ELEV.	FINAL TIP ELEV.	DES. CUTOFF ELEV.	ACT. CUTOFF ELEV.	PILE PLUMBNESS	FINAL SET			MANUFACTURERS MARKINGS R = RE-DRIVEN
								1 ST SET	2 ND SET	3 RD SET	
33	15	3.5	231.388	216.388			✓	21	21	21	17, June 30, 05
34	15	3.5	231.546	216.546			✓	19	15	20	1724, "
35	15	3.2	231.779	216.779			✓	20	20	19	1722, "
36	15	3.3	231.114	216.114			✓	20	17	7	1720, "
37	15	3.4	231.208	216.208			✓	23	15	5	1735, "
18	15	3.2	231.959	215.959			✓	15	11	10	1731, "
17	15	3.5	231.949	215.949			✓	15	9	7	1732, "
16	15	3.7	231.947	215.947			✓	22	11	7	1719, "
15	15	3.2	231.927	215.927			✓	19	15	8	1724, "
14	15	3.4	231.959	215.959			✓	21	15	15	1703, June 29, 05

• FOLLOWER USED, REFUSAL CRITERIA INCREASED 50%.

PILE #	COMMENTS

INSPECTOR: R. Blum

THE CITY OF WINNIPEG - WATER TREATMENT PLANT - CLEARWELL

PILE NUMBER	PILE LENGTH	DEPTH PREBORED	FINAL TOP ELEV.	FINAL TIP ELEV.	DES. CUTOFF ELEV.	ACT. CUTOFF ELEV.	PILE PLUMBNESS	FINAL SET			MANUFACTURERS MARKINGS R = RE-DRIVEN
								1 ST SET	2 ND SET	3 RD SET	
13	15	3.0	231.969	215.969			✓	16	11	10	1721, June 30, 05
12	15	2.7	232.088	217.088			✓	2	5	5	1696, June 28, 05
38	15	3.2	232.311	217.311			✓	25	24	24	1706, June 30, 05
39	15	3.0	232.048	217.048			✓	18	20	18	1695, June 28, 05
40	15	3.4	232.138	217.138			1 1/2	19	17	13	1705, June 29, 05
41	15	3.0	231.953	216.953			✓	21	17	15	1697 June 28, 05
42	15	3.2	230.982	215.982			✓	21	15	3	1689, "
* 43	15	3.4	229.852	215.852			✓	17	21	17	1694, "
11	15	3.6	231.714	216.714			✓	19	17	15	1704, June 29, 05
10	15	3.7	232.105	217.105			✓	20	17	15	N/A

* FOLLOWER USED, REFUSAL CRITERIA INCREASED 50%.

PILE #

COMMENTS

PILE #	COMMENTS

 INSPECTOR: *R. Blum*

THE CITY OF WINNIPEG - WATER TREATMENT PLANT - CLEARWELL

PILE NUMBER	PILE LENGTH	DEPTH PREBORED	FINAL TOP ELEV.	FINAL TIP ELEV.	DES. CUTOFF ELEV.	ACT. CUTOFF ELEV.	PILE PLUMBNESS	FINAL SET			MANUFACTURERS MARKINGS R = RE-DRIVEN
								1 ST SET	2 ND SET	3 RD SET	
09	15	3.4	231.793	216.793			✓	17	13	11	1701, June 28, 05
08	15	3.2	231.975	216.975			✓	16	15	13	1700, "
07	15	3.7	231.344	216.344			✓	21	15	7	1692, "
44	16	3.7	231.998	215.998			✓	19	11	3	1119, May 30, 05
06	16	3.9	232.360	216.360			✓	17	17	17	1126, "
05	16	3.7	232.574	216.574			✓	17	15	9	1162 1162, June 01, 05
45	16	4.0	232.040	216.040			✓	21	11	9	1140, May 30, 05
46	16	3.7	230.833	214.833			✓	20	19	19	1102, May 29, 05
04	16	3.8	231.320	215.320			✓	13	6	7	NA.
47	16	3.9	231.994	215.994			✓	21	20	19	1139, May 31, 05

• FOLLOWER USED, REFUSAL CRITERIA INCREASED 50%.

PILE #	COMMENTS
	on back

INSPECTOR: R. Bluhm



A Tyco International Ltd. Company

PILE DRIVING RECORDS

DATE: July 29, 05

THE CITY OF WINNIPEG - WATER TREATMENT PLANT - CLEARWELL

PILE NUMBER	PILE LENGTH	DEPTH PREBORED	FINAL TOP ELEV.	FINAL TIP ELEV.	DES. CUTOFF ELEV.	ACT. CUTOFF ELEV.	PILE PLUMBNESS	FINAL SET			MANUFACTURERS MARKINGS R = RE-DRIVEN
								1 ST SET	2 ND SET	3 RD SET	
48	15 16	4.0	231.359	216.359			✓	24	19	15	1667, June 27, 05
03	16	4.0	232.093	216.093			✓	21	17	15	1100, May 27, 05
01	16	3.7	231.708	215.708			2 ^o / ₃	20	11	6	1104, "
49	16	3.7	231.885	215.885			✓	17	15	12	1099, "

• FOLLOWER USED, REFUSAL CRITERIA INCREASED 50%.

PILE #	COMMENTS

INSPECTOR: R. B. [Signature]



A Tyco International Ltd. Company

PILE DRIVING RECORDS

DATE: Aug. 08.05

THE CITY OF WINNIPEG - WATER TREATMENT PLANT - CLEARWELL

PILE NUMBER	PILE LENGTH	DEPTH PREBORED	FINAL TOP ELEV.	FINAL TIP ELEV.	DES. CUTOFF ELEV.	ACT. CUTOFF ELEV.	PILE PLUMBNESS	FINAL SET			MANUFACTURERS MARKINGS R = RE-DRIVEN
								1 ST SET	2 ND SET	3 RD SET	
439	15	3.7	231.260	216.260			✓	21	18	17	1658, June 27.05
437	15	"	231.106	216.106			✓	20	17	15	1656, "
438	15	4.0	231.106	216.106			✓	15	10	3	1636, June 24.05
449	15	3.7	231.091	215.091			✓	21	15	11	1639, "
448	15	3.7	231.012	216.012			✓	19	11	7	1557, June 27.05
416	16	4.0	231.771	215.771			✓	24	23	21	1122, May 30.05
435	16	3.7	231.873	215.873			✓	23	23	21	1084, May 26.05
433	16	3.9	232.026	216.026			✓	21	17	15	1199, June 03.05
434	16	3.9	232.006	216.006			✓	19	17	15	1108, June 05
436	16	3.9	232.027	216.027			✓	24	17	17	1101, May 27.05

• FOLLOWER USED, REFUSAL CRITERIA INCREASED 50%.

PILE #	COMMENTS

INSPECTOR:



A Tyco International Ltd. Company

PILE DRIVING RECORDS

DATE: Aug. 08. 05

THE CITY OF WINNIPEG - WATER TREATMENT PLANT - CLEARWELL

PILE NUMBER	PILE LENGTH	DEPTH PREBORED	FINAL TOP ELEV.	FINAL TIP ELEV.	DES. CUTOFF ELEV.	ACT. CUTOFF ELEV.	PILE PLUMBNESS	FINAL SET			MANUFACTURERS MARKINGS R = RE-DRIVEN
								1 ST SET	2 ND SET	3 RD SET	
417	16	3.9	232.284	216.284			✓	19	10	3	1085, May 26. 05
409A	18.5	3.9	232.980	215.980			✓	15	10	7	1998, July 19. 05

• FOLLOWER USED, REFUSAL CRITERIA INCREASED 50%.

PILE #	COMMENTS

INSPECTOR:



A Tyco International Ltd. Company

PILE DRIVING RECORDS

DATE:

Aug. 09.05

THE CITY OF WINNIPEG - WATER TREATMENT PLANT - CLEARWELL

PILE NUMBER	PILE LENGTH	DEPTH PREBORED	FINAL TOP ELEV.	FINAL TIP ELEV.	DES. CUTOFF ELEV.	ACT. CUTOFF ELEV.	PILE PLUMBNESS	FINAL SET			MANUFACTURERS MARKINGS R = RE-DRIVEN	
								1 ST SET	2 ND SET	3 RD SET		
477												
468	16	3.5	231.897	215.897			1/2	17	10	10	1160	June 01.05
478	16	3.5	231.889	215.889			✓	19	10	13	1087	June 26.05
479	16	3.5	231.956	215.956			✓	21	17	10	1086	"
466	16	3.5	231.972	215.972			2% w	21	10	3	1107	May 27.05
467	16	3.5	231.911	215.911			1% w	17	10	3	1165	June 01.05
468	16	3.5	231.999	215.999			15% w	17	10	3	1142	May 31.05
418	16	3.5	231.866	215.866			✓	15	7	5	1125	May 30.05
399	16	3.5	232.199	216.199			✓	21	17	9	1061	May 25.05
400	16	3.5	231.913	215.913			✓	21	15	10	1059	"
398	16	3.5	232.133	216.133			✓	20	17	13	1128	May 30.05

• FOLLOWER USED, REFUSAL CRITERIA INCREASED 50%.

PILE #

COMMENTS

Pre-drilling & waiting for piles until 8:15, piles arrived. 8:32 begin hammering

INSPECTOR:

PILE DRIVING RECORDS

DATE: *Aug-09-05*

THE CITY OF WINNIPEG - WATER TREATMENT PLANT - CLEARWELL

PILE NUMBER	PILE LENGTH	DEPTH PREBORED	FINAL TOP ELEV.	FINAL TIP ELEV.	DES. CUTOFF ELEV.	ACT. CUTOFF ELEV.	PILE PLUMBNESS	FINAL SET			MANUFACTURERS MARKINGS R = RE-DRIVEN
								1 ST SET	2 ND SET	3 RD SET	
419	16	3.7	232.019	216.019			✓	17	15	8	1028, May 26.05
432	16	3.7	231.847	215.847			✓	21	17	11	1063, "
431	16	3.7	231.784	215.784			✓	17	15	15	1060, "
430	16	3.7	231.815	215.815			✓	19	15	5	1082, "
425	16	3.7	231.862	215.862			✓	19	17	15	1083, "
426	16	3.9	231.828	215.828			✓	17	13	11	1047, May 24.05
424	16	3.7	231.924	215.924			✓	24	19	17	1104, June 01.05
450	16	3.8	232.033	216.033			✓	21	15	5	1043, May 24.05
451	16	3.6	232.067	216.067			✓	13	9	7	1081, May 26.05
452	16	3.8	232.051	216.051			✓	17	13	5	1025, May 24.05

• FOLLOWER USED, REFUSAL CRITERIA INCREASED 50%.

PILE #	COMMENTS

INSPECTOR:



A Tyco International Ltd. Company

PILE DRIVING RECORDS

DATE:

Aug. 09.05

THE CITY OF WINNIPEG - WATER TREATMENT PLANT - CLEARWELL

PILE NUMBER	PILE LENGTH	DEPTH PREBORED	FINAL TOP ELEV.	FINAL TIP ELEV.	DES. CUTOFF ELEV.	ACT. CUTOFF ELEV.	PILE PLUMBNESS	FINAL SET			MANUFACTURERS MARKINGS R = RE-DRIVEN
								1 ST SET	2 ND SET	3 RD SET	
453	16	3.7	231.964	215.964			✓	20	17	9	1127, May 30.05
454	16	3.9	231.855	215.855			✓	21	17	3	1125, May 27.05
429	16	3.9	231.757	215.757			✓	24	17	11	1145, May 31.05
455	16	3.8	232.178	216.178			✓	23	19	17	1044, May 24.05
480	16	3.8	232.023	216.023			✓	20	11	3	1080, May 26.05
481	16	3.8	NA	NA			✓	17	13	5	1124, May 30.05
482	16	3.7	231.980	215.980			✓	15	9	2	1166, June 01.05
483	16	3.8	232.030	216.030			✓	17	13	10	1121, May 30.05
484	16	3.7	232.039	216.039			✓	15	10	3	1143, May 31.05
485	16	3.7	232.011	216.011			✓	22	21	19	1167, June 01.05

• FOLLOWER USED, REFUSAL CRITERIA INCREASED 50%.

PILE #

COMMENTS

INSPECTOR:



A Tyco International Ltd. Company

PILE DRIVING RECORDS

DATE: Aug. 09.05

THE CITY OF WINNIPEG - WATER TREATMENT PLANT - CLEARWELL

PILE NUMBER	PILE LENGTH	DEPTH PREBORED	FINAL TOP ELEV.	FINAL TIP ELEV.	DES. CUTOFF ELEV.	ACT. CUTOFF ELEV.	PILE PLUMBNESS	FINAL SET			MANUFACTURERS MARKINGS R = RE-DRIVEN
								1 ST SET	2 ND SET	3 RD SET	
465	16	3.8	232.011	216.011			✓	15	9	3	1148, May 31.05
464	16	3.7	232.096	216.096			✓	19	13	7	1020, May 20.05
463	16	3.8	232.046	216.046			✓	20	15	13	1144, May 31.05
462	16	3.7	231.947	215.947			✓	20	18	17	1041, May 24.05
461	16	3.8	231.824	215.824			✓	21	17	15	1014, May 20.05
460	16	3.7	231.907	215.907			✓	19	15	9	1024, "
459	16	3.8	231.966	215.966			✓	20	15	7	1141, May 31.05
486	16	3.9	231.980	215.980			✓	21	15	8	1026, May 20.05
456	16	3.7	231.912	215.912			✓	23	19	17	1146, May 31.05
376	16	3.9	231.570	215.570			✓	21	15	10	1101 July 1

• FOLLOWER USED, REFUSAL CRITERIA INCREASED 50%.

PILE #

COMMENTS

INSPECTOR:

PILE DRIVING RECORDS

DATE: *Aug. 09.05*

THE CITY OF WINNIPEG - WATER TREATMENT PLANT - CLEARWELL

PILE NUMBER	PILE LENGTH	DEPTH PREBORED	FINAL TOP ELEV.	FINAL TIP ELEV.	DES. CUTOFF ELEV.	ACT. CUTOFF ELEV.	PILE PLUMBNESS	FINAL SET			MANUFACTURERS MARKINGS R = RE-DRIVEN
								1 ST SET	2 ND SET	3 RD SET	
380	16	3.9	231.616	215.616			✓	21	17	9	1123, May 30.05
379	16	3.8	231.526	215.526			✓	17	16	11	1103, May 27.05
377	16	3.8	231.497	215.497			✓	21	15	7	1021 , May 20.05
378	16	3.8	231.775	215.775				20	17	5	1023, "

FOLLOWER USED, REFUSAL CRITERIA INCREASED 50%.

PILE #	COMMENTS

INSPECTOR:

THE CITY OF WINNIPEG - WATER TREATMENT PLANT - CLEARWELL

PILE NUMBER	PILE LENGTH	DEPTH PREBORED	FINAL TOP ELEV.	FINAL TIP ELEV.	DES. CUTOFF ELEV.	ACT. CUTOFF ELEV.	PILE PLUMBNESS	FINAL SET			MANUFACTURERS MARKINGS R = RE-DRIVEN
								1 ST SET	2 ND SET	3 RD SET	
393	16	3.7	231.855	215.855			✓	23	17	15	999, May 19.05
394	16	3.7	232.264	216.264			✓	19	10	3	1168, June 01.05
395	16	3.5	232.305	216.305			✓	15	7	3	1163, "
396	16	3.7	231.778	215.778			✓	17	13	7	1004, May 19.05
397	16	3.5	232.276	216.276			✓	11	5	2	1022, May 20.05
420	16	3.7	232.237	216.237			✓	15	7	2	
484	16	3.5	231.576	215.576			✓	13	10	5	988, May 18.05
488	16	3.7					✓	19	17	11	987, "
487)	16	3.5	231.959	215.959			✓	24	16	15	1005, May 19.05
451	16	3.4	231.803	215.803			✓	20	13	7	980 May 18.05

• FOLLOWER USED, REFUSAL CRITERIA INCREASED 50%.

PILE #	COMMENTS
	8:20 hammering, 9:45 standing piles (waiting for lay-out). 12:50 hammering

INSPECTOR:

THE CITY OF WINNIPEG - WATER TREATMENT PLANT - CLEARWELL

PILE NUMBER	PILE LENGTH	DEPTH PREBORED	FINAL TOP ELEV.	FINAL TIP ELEV.	DES. CUTOFF ELEV.	ACT. CUTOFF ELEV.	PILE PLUMBNESS	FINAL SET			MANUFACTURERS MARKINGS R = RE-DRIVEN
								1 ST SET	2 ND SET	3 RD SET	
388	16	3.4	231.715	215.715			✓	21	17	13	1001, May 21. 05 ✓✓
389	16	3.7	231.967	215.967			✓	17	12	9	1003, May 19. 05 ✓✓
390	16	3.2	232.088	216.088			✓	12	3	0	1006, " ✓
391	16	3.4	231.877	215.877			✓	23	21	17	1008, " ✓
392	16	3.7	231.853	215.853			✓	21	15	6	985, May 18. 05 ✓
458	16	3.7	231.893	215.893			✓	19	13	6	1079, May 26. 05 ✓
428	16	3.2	232.059	216.059			✓	16	9	5	1065, May 25. 05 ✓
427	16	3.2	231.860	215.860			✓	19	15	11	1068, " ✓
423	16	3.4	232.021	216.021			✓	16	13	7	1039, May 24. 05 ✓
422	16	3.2	232.064	216.064			✓	21	17	17	1056, " ✓

• FOLLOWER USED, REFUSAL CRITERIA INCREASED 50%.

PILE #

COMMENTS

1:50 Fuel leak	2:40 hammering

THE CITY OF WINNIPEG - WATER TREATMENT PLANT - CLEARWELL

PILE NUMBER	PILE LENGTH	DEPTH PREBORED	FINAL TOP ELEV.	FINAL TIP ELEV.	DES. CUTOFF ELEV.	ACT. CUTOFF ELEV.	PILE PLUMBNESS	FINAL SET			MANUFACTURERS MARKINGS R = RE-DRIVEN
								1 ST SET	2 ND SET	3 RD SET	
421	16	3.2	232.186	216.186			✓	21	17	15	983, May 18.05
374	16	3.7	231.447	215.447			✓	20	16	13	1000, May 19.05
375	16	3.7	231.445	215.445			✓	24	19	18	1009, "
373	16	3.5	231.293	215.293			✓	19	11	7	10064, "
372	16	3.2	231.425	215.425			✓	19	15	13	959, May 17,05
371	16	3.4	231.477	215.477			✓	23	17	10	962, "
370	16	3.4					✓	19	7	5	960 "
369	16	3.7					✓	20	11	3	964 "
368	16	3.7					✓	23	15	13	966 "
367	16	3.6	231.725	215.725			✓	14	9	7	965 "

• FOLLOWER USED, REFUSAL CRITERIA INCREASED 50%.

PILE #	COMMENTS

INSPECTOR:



A Tyco International Ltd. Company

PILE DRIVING RECORDS

DATE:

Aug 10.05

THE CITY OF WINNIPEG - WATER TREATMENT PLANT - CLEARWELL

PILE NUMBER	PILE LENGTH	DEPTH PREBORED	FINAL TOP ELEV.	FINAL TIP ELEV.	DES. CUTOFF ELEV.	ACT. CUTOFF ELEV.	PILE PLUMBNESS	FINAL SET			MANUFACTURERS MARKINGS R = RE-DRIVEN
								1 ST SET	2 ND SET	3 RD SET	
387	16	3.3	231.695	215.695			✓	23	11	7	967, May 17.05
386	16	3.7	231.734	215.734			✓	18	11	6	1025 May 20.05
385	16	3.4	231.762	215.762		w	15%	19	15	13	961, May 17.05
384	16	3.2	231.82	215.82			✓	20	15	9	981, May 18.05
383	16	3.4	231.880	215.880			✓	15	9	3	1062, May 25.05
382	16	3.3	231.877	215.877			✓	17	13	2	964, May 18.05
381	16	3.3	231.777	215.777			✓	19	14	12	968, May 17.05

• FOLLOWER USED, REFUSAL CRITERIA INCREASED 50%.

PILE #

COMMENTS

PILE #	COMMENTS

INSPECTOR:



A Tyco International Ltd. Company

PILE DRIVING RECORDS

DATE:

Aug 11.05

THE CITY OF WINNIPEG - WATER TREATMENT PLANT - CLEARWELL

PILE NUMBER	PILE LENGTH	DEPTH PREBORED	FINAL TOP ELEV.	FINAL TIP ELEV.	DES. CUTOFF ELEV.	ACT. CUTOFF ELEV.	PILE PLUMBNESS	FINAL SET			MANUFACTURERS MARKINGS R = RE-DRIVEN
								1 ST SET	2 ND SET	3 RD SET	
538	16	3.7	232.057	216.057			✓	15	10	15	943, May 16, 05
521	16	3.7	231.934	215.934			✓	19	15	14	947, May 16.05
522	16	3.7	231.929	215.929			✓	24	17	15	916, "
523 23) 524	16	3.7	231.936	215.936			✓	15	11	10	979, May 18, 05
537	16	3.7	232.289	216.289			✓	25	19	15	1028, May 20, 05
* 524	16	3.7	229.560	213.560			✓	21	20	19	1042, May 24.05
525	16	3.7	231.961	215.961			✓	23	20	19	982, May 18, 05
526	16	3.7	232.131	216.131			✓	21	17	14	1027, May 20.05
531	16	3.7	233.002	217.002			✓	18	16	12	980, May 18 05
536	16	3.7	232.237	216.237			✓	23	17	13	941, May 16.05

* FOLLOWER USED, REFUSAL CRITERIA INCREASED 50%.

PILE #

COMMENTS

7:25 Hammering, 9:10 unloading & stacking piles, (one crane operator)
10:15 Re-Hammering, 10:30 Hammering,

INSPECTOR:

THE CITY OF WINNIPEG - WATER TREATMENT PLANT - CLEARWELL

PILE NUMBER	PILE LENGTH	DEPTH PREBORED.	FINAL TOP ELEV.	FINAL TIP ELEV.	DES. CUTOFF ELEV.	ACT. CUTOFF ELEV.	PILE PLUMBNESS	FINAL SET			MANUFACTURERS MARKINGS R = RE-DRIVEN
								1 ST SET	2 ND SET	3 RD SET	
557	16	3.5	232.449	216.449			✓	25	15	10	942, May 16.05
558	16	3.4	232.761	216.761			✓	21	14	6	939, "
559	16	3.2	232.842	216.842			✓	20	15	7	1120, May 30.05
560	16	3.4	232.777	216.777			✓	21	17	11	948, May 16.05
536	16	3.7	232.797	216.797			✓	15	7	3	945, May 16.05
876	16	3.7	232.878	216.878			✓	17	16	0	1048, May 24.05
884	16	3.7	232.370	216.370			✓	21	13	10	1067, May 25.05
883	16	3.7	232.670	216.670			✓	20	17	11	1040, May 24.05
877	16	3.5	232.691	216.691			✓	24	21	20	940, May 16.05
555	16	3.5	231.964	215.964				23	19	17	

FOLLOWER USED, REFUSAL CRITERIA INCREASED 50%.

PILE #

COMMENTS

	Cutting Piles @ 10:39, Hammering till 11:53 then standing for lunch.

INSPECTOR:

THE CITY OF WINNIPEG - WATER TREATMENT PLANT - CLEARWELL

PILE NUMBER	PILE LENGTH	DEPTH PREBORED	FINAL TOP ELEV.	FINAL TIP ELEV.	DES. CUTOFF ELEV.	ACT. CUTOFF ELEV.	PILE PLUMBNESS	FINAL SET			MANUFACTURERS MARKINGS R = RE-DRIVEN
								1 ST SET	2 ND SET	3 RD SET	
885	16	3.7	232.278	216.278			✓	21	17	16	910, May 13, 05
911	16	3.7	232.338	216.338			✓	22	18	17	712, May 13, 05
882	16	3.4	232.796	216.796			✓	20	21	25	1047, May 24, 05
912	16	3.4	232.817	216.817			✓ _{new}	27	10	7	944, May 16, 05
924	16	3.2	231.876	215.876			✓	24	18	15	891, May 12, 05
922	16	3.4	231.867	215.867			✓	20	17	11	908, May 13, 05
923	16	3.7	231.864	215.864			✓	21	15	13	1066, May 25, 05
921	16	2.7	232.372	216.372			✓	19	10	7	984, May 18, 05
950	16	3.2	231.780	215.780			✓	22	17	12	909, May 18, 05
951	16	3.4	231.910	215.910			✓	20	15	15	892, May 12, 05

• FOLLOWER USED, REFUSAL CRITERIA INCREASED 50%.

PILE #	COMMENTS

INSPECTOR: _____

PILE DRIVING RECORDS

DATE:

Aug. 11. 05

THE CITY OF WINNIPEG - WATER TREATMENT PLANT - CLEARWELL

PILE NUMBER	PILE LENGTH	DEPTH PREBORED	FINAL TOP ELEV.	FINAL TIP ELEV.	DES. CUTOFF ELEV.	ACT. CUTOFF ELEV.	PILE PLUMBNESS	FINAL SET			MANUFACTURERS MARKINGS R = RE-DRIVEN
								1 ST SET	2 ND SET	3 RD SET	
949	16m	3.2	231.661	215.661			✓	23	20	12	#893, May 12, 05
964	16	3.2					✓	24	21	20	904, "
963	16	3.7	230.789	214.789			✓	21	18	15	911, "
961	16	3.2	231.133	215.133			✓	23	21	17	903, May 13, 05
962	16	3.7	230.743	214.746			✓	19	17	12	889, May 12, 05
991	16	3.5	230.512	215.512			✓	19	17	15	893, "
960	16	3.7	231.149	215.149			✓	23	19	15	894, "
910	16	3.7	232.050	216.050			1 1/2 ^w	25	20	11	1313, June 13, 05
925	16	3.9	231.829	215.829			1 1/2 ^w	23	17	10	890, May 12, 05
309	16	3.8	231.308	215.308			✓	21	15	11	156, Feb. 14, 05

• FOLLOWER USED, REFUSAL CRITERIA INCREASED 50%.

PILE #

COMMENTS

PILE #	COMMENTS

INSPECTOR:



A Tyco International Ltd. Company

PILE DRIVING RECORDS

DATE:

Aug. 11.05

THE CITY OF WINNIPEG - WATER TREATMENT PLANT - CLEARWELL

PILE NUMBER	PILE LENGTH	DEPTH PREBORED	FINAL TOP ELEV.	FINAL TIP ELEV.	DES. CUTOFF ELEV.	ACT. CUTOFF ELEV.	PILE PLUMBNESS	FINAL SET			MANUFACTURERS MARKINGS R = RE-DRIVEN
								1 ST SET	2 ND SET	3 RD SET	
310	16	3.9	231.369	215.369			✓	21	17	12	907, May 13, 05
312	16	3.9	231.361	215.361			✓	19	17	15	906, "
311	16	3.7	231.516	215.516			✓	17	15	10	1314, June 13, 05
308	16	3.9	231.631	215.631			✓	19	17	17	74, Jan. 21, 05
307	16	4.2	231.529	215.529			✓	20	18	5	36, Jan 19, 05

• FOLLOWER USED, REFUSAL CRITERIA INCREASED 50%.

PILE #

COMMENTS

INSPECTOR:



A Tyco International Ltd. Company

PILE DRIVING RECORDS

DATE:

Aug 12.05

THE CITY OF WINNIPEG - WATER TREATMENT PLANT - CLEARWELL

PILE NUMBER	PILE LENGTH	DEPTH PREBORED	FINAL TOP ELEV.	FINAL TIP ELEV.	DES. CUTOFF ELEV.	ACT. CUTOFF ELEV.	PILE PLUMBNESS	FINAL SET			MANUFACTURERS MARKINGS R = RE-DRIVEN
								1 ST SET	2 ND SET	3 RD SET	
321	16	3.0	231.247	215.247			✓	23	19	17	905, May 13.05
320	16	3.0	231.446	215.446			✓	19	17	15	847, May 12.05
319	16	3.9	NA	NA			✓	21	17	10	1371, June 04.05
313	16	4.2	231.493	215.493			✓	19	10	7	NA, June 19.05
* 318	15	3.2	230.436	215.436			✓	21	10	3	1711, Nov 1.01
(314) 314	15	3.4	230.485	215.485			✓	7	1	0	1713, N "
316	15	3.2	230.585	215.585			✓	9	3	0	1319, Aug 16.04
317	15	3.4	23'				✓	15	7	3	1317, Aug 16.04
315	15	3.6	230.770	215.770			✓	21	15	10	1760, Nov 3.04
306	15	3.4	230.634	215.634			✓	23	21	19	1740, Aug 2.04

* FOLLOWER USED, REFUSAL CRITERIA INCREASED 50%.

PILE #

COMMENTS

one crane operator

9:30 Hammering (had to repair throttle line), 9:45 Drive chain broke,
11:45 Hammering

INSPECTOR:

THE CITY OF WINNIPEG - WATER TREATMENT PLANT - CLEARWELL

PILE NUMBER	PILE LENGTH	DEPTH PREBORED	FINAL TOP ELEV.	FINAL TIP ELEV.	DES. CUTOFF ELEV.	ACT. CUTOFF ELEV.	PILE PLUMBNESS	FINAL SET			MANUFACTURERS MARKINGS R = RE-DRIVEN
								1 ST SET	2 ND SET	3 RD SET	
61	15	3.7	230.821	215.821			✓	20	17	9	1744, Nov 01, 04
62	15	3.2	230.704	215.704			✓	17	15	5	228, Feb 25.04
63	15	3.0	238.817	215.817			✓	21	19	17	226, "
65	15	2.7	230.835	215.835			✓	22	20	16	1719, Nov 01, 04
97	15	3.0	230.863	215.863			✓	24	19	17	NA
64	15	3.7	230.888	215.888			✓	23	21	20	1316, Aug. 16.04
96	15	3.7					✓	24	22	20	1748, Nov 01.04
66	15	3.7	230.923	215.923			✓	23	21	20	⁽¹⁷⁵¹⁾ 1751, "
60	15	3.7	231.190	216.190			✓	21	19	19	1745, "
59	15	3.7	231.017	216.017			✓	23	17	10	1747 "

- FOLLOWER USED, REFUSAL CRITERIA INCREASED 50%.

PILE #	COMMENTS



A Tyco International Ltd. Company

PILE DRIVING RECORDS

DATE:

Aug 12. 05

THE CITY OF WINNIPEG - WATER TREATMENT PLANT - CLEARWELL

PILE NUMBER	PILE LENGTH	DEPTH PREBORED	FINAL TOP ELEV.	FINAL TIP ELEV.	DES. CUTOFF ELEV.	ACT. CUTOFF ELEV.	PILE PLUMBNESS	FINAL SET			MANUFACTURERS MARKINGS R = RE-DRIVEN
								1 ST SET	2 ND SET	3 RD SET	
67	15	3.9	230.854	215.854			✓	23	21	20	3638, Nov. 25. 03
95	15	3.7					✓	21	20	18	NA
69	15	3.7	231.080	216.080			✓	23	19	13	NA, Nov. 25. 03
68	15	3.2	230.974	215.974			✓	20	19	15	3637, "
94	15	3.5					✓	21	17	12	1725, Oct. 29. 04
58	16	3.7					✓	23	22	20	3095, Aug 5. 05
70	16	3.7	232.330	216.330			✓	23	17	12	3074, Aug 4. 05
57	16	3.9	232.434	216.434			✓	22	20	14	3077 " "
71	16	4.0	232.422	216.422			✓	23	15	12	3069 " "
93	15	3.9	230.745	215.745			✓	21	17	13	1723 Oct. 29. 04

- FOLLOWER USED, REFUSAL CRITERIA INCREASED 50%.

PILE #	COMMENTS

INSPECTOR:

THE CITY OF WINNIPEG - WATER TREATMENT PLANT - CLEARWELL

PILE NUMBER	PILE LENGTH	DEPTH PREBORED	FINAL TOP ELEV.	FINAL TIP ELEV.	DES. CUTOFF ELEV.	ACT. CUTOFF ELEV.	PILE PLUMBNESS	FINAL SET			MANUFACTURERS MARKINGS R = RE-DRIVEN
								1 ST SET	2 ND SET	3 RD SET	
73	16	3.7	232.156	216.156			✓	24	21	20	3070, Aug-04.05
72	16	3.9	232.002	216.002			✓	24	23	22	3044, "
56	16	2.6	232.469	216.469			✓	23	22	21	3046, "
74	16	3.6	232.217	216.217			✓	24	21	20	³⁰⁶³ 1727 , Oct 29.04
92	15	3.6	230.883	215.883			✓	21	17	16	1727, Oct 29.04
91	15	3.7	230.981	215.981			✓	24	23	23	1722, "

• FOLLOWER USED, REFUSAL CRITERIA INCREASED 50%.

PILE #	COMMENTS
5:14	Done Hammering for the day!



A Tyco International Ltd. Company

PILE DRIVING RECORDS

DATE:

Aug 15.05

THE CITY OF WINNIPEG - WATER TREATMENT PLANT - CLEARWELL

PILE NUMBER	PILE LENGTH	DEPTH PREBORED	FINAL TOP ELEV.	FINAL TIP ELEV.	DES. CUTOFF ELEV.	ACT. CUTOFF ELEV.	PILE PLUMBNESS	FINAL SET			MANUFACTURERS MARKINGS R = RE-DRIVEN
								1 ST SET	2 ND SET	3 RD SET	
75	15	3.9	231.119	216.119			✓	21	20	17	2025, July 27.05
76	15	3.8	231.370	216.370			✓	23	19	15	2020, "
77	15	3.9	231.043	216.043			✓	21	19	13	1718, Oct 29.04
55	15	3.9	231.878	216.878			✓	20	17	15	2941, July 27.05
* 54	15	3.9	NO REFUSAL				✓				NA,
78	15	3.8	231.201	216.201			✓	23	21	19	1720, Oct 29.04
90	15	3.9					✓	22	17	15	1724, "
53	15	3.9	231.830	216.830			✓	21	15	11	1719, "
79	15	3.9	230.994	215.994			✓	23	22	20	1716, "
80	15	3.9	230.957	215.957			✓	24	22	21	1726, "

• FOLLOWER USED, REFUSAL CRITERIA INCREASED 50%.

PILE #	COMMENTS

INSPECTOR:

PILE DRIVING RECORDS

DATE: Aug. 15. 05

THE CITY OF WINNIPEG - WATER TREATMENT PLANT - CLEARWELL

PILE NUMBER	PILE LENGTH	DEPTH PREBORED	FINAL TOP ELEV.	FINAL TIP ELEV.	DES. CUTOFF ELEV.	ACT. CUTOFF ELEV.	PILE PLUMBNESS	FINAL SET			MANUFACTURERS MARKINGS R = RE-DRIVEN
								1 ST SET	2 ND SET	3 RD SET	
81	15	3.9	231.193	216.193			✓	23	21	19	1721, Oct. 29. 04
89	15	3.9					✓	23	19	15	2040, Oct 27. 04
86	16	3.9					✓	21	19	17	3076, Aug 04. 05
52	15	3.9	231.362	216.362			✓	20	20	19	1717, Oct 29. 04
82	15	3.9	230.824	215.824			✓	21	20	19	2037, July 27. 05
85	15	3.8	230.822	215.822			✓	23	22	21	2024, "
88	15	3.9					✓	24	21	20	2023, "
120	15	3.8					✓	23	22	19	2028, "
* 87	15	3.9	230.468	215.468			✓	22	20	18	2028, "
* 122	15	3.8	230.384	215.384			✓	21	20	19	2042, "

* FOLLOWER USED, REFUSAL CRITERIA INCREASED 50%.

PILE #

COMMENTS

INSPECTOR: _____



A Tyco International Ltd. Company

PILE DRIVING RECORDS

DATE:

Aug 15.05

THE CITY OF WINNIPEG - WATER TREATMENT PLANT - CLEARWELL

PILE NUMBER	PILE LENGTH	DEPTH PREBORED	FINAL TOP ELEV.	FINAL TIP ELEV.	DES. CUTOFF ELEV.	ACT. CUTOFF ELEV.	PILE PLUMBNESS	FINAL SET			MANUFACTURERS MARKINGS R = RE-DRIVEN
								1 ST SET	2 ND SET	3 RD SET	
121	15	3.9	230.644	215.644			✓	23	21	19	2026, July 27.05
126	15	3.8					✓	21	20	18	2036, "
123	15	3.8	230.374	215.374			✓	20	17	15	2030, July 28.05
124	15	3.8	230.573	215.573			✓	21	19	13	2033, July 27.05
* 84	15	3.9	230.429	215.429			✓	23	21	21	2027, "
83	15	3.8	230.432	215.432			✓	21	20	19	2021, "
50	15	3.9	230.570	216.570			✓	24	21	19	2039, "
51	15	3.9	230.979	215.979			✓	21	20	19	2035 2039, "
54A	18	4.0	235.208	217.208			✓	23	24	21	1755, Nov 3, 04

* FOLLOWER USED, REFUSAL CRITERIA INCREASED 50%.

PILE #	COMMENTS
# 54A	700mm W of # 54.

INSPECTOR:



A Tyco International Ltd. Company

PILE DRIVING RECORDS

DATE:

Aug. 15.05

THE CITY OF WINNIPEG - WATER TREATMENT PLANT - CLEARWELL

PILE NUMBER	PILE LENGTH	DEPTH PREBORED	FINAL TOP ELEV.	FINAL TIP ELEV.	DES. CUTOFF ELEV.	ACT. CUTOFF ELEV.	PILE PLUMBNESS	FINAL SET			MANUFACTURERS MARKINGS R = RE-DRIVEN
								1 ST SET	2 ND SET	3 RD SET	
73	16	3.7					✓	24	21	20	3070, Aug. 04.05
72	16	3.9					✓	24	23	22	3044, "
56	16	2.6					✓	23	22	21	3046, "
74	16	3.6					✓	24	21	20	³⁰⁸³ 1727 , Oct 29.04
92	15	3.6					✓	21	17	16	1727, Oct 29.04
91	15	3.7					✓	24	23	23	1722, "

• FOLLOWER USED, REFUSAL CRITERIA INCREASED 50%.

PILE #

COMMENTS

5:14 Done Hammering for the day!

INSPECTOR:

THE CITY OF WINNIPEG - WATER TREATMENT PLANT - CLEARWELL

PILE NUMBER	PILE LENGTH	DEPTH PREBORED	FINAL TOP ELEV.	FINAL TIP ELEV.	DES. CUTOFF ELEV.	ACT. CUTOFF ELEV.	PILE PLUMBNESS	FINAL SET			MANUFACTURERS MARKINGS R = RE-DRIVEN
								1 ST SET	2 ND SET	3 RD SET	
518	15	3.9	231.063	216.063			✓	23	21	19	2051, July 28.05
519	15	3.8	231.140	216.140			✓	21	20	17	2054, "
517	15	3.8	230.786	215.786			✓	20	19	17	2047, "
539	15	3.8	230.875	215.875			✓	17	15	13	2056, "
520	15	3.9	231.069	216.069			✓	19	17	10	1166, June
552	15	3.9	230.941	215.941			✓	17	13	9	2034, July 27.05
551	15	3.9	231.092	216.092			✓	20	17	15	2036, "
* 553	15	3.9	NO	REFUSAL			✓				2031, "
553A	18	4.0	234.187	216.187			✓	21	20	17	1752 Nov 3.04
514	15	3.9	231.009	216.009			✓	19	11	7	2076 July 29, 05

* FOLLOWER USED, REFUSAL CRITERIA INCREASED 50%.

PILE #

COMMENTS

INSPECTOR: _____

PILE DRIVING RECORDS

 DATE: Aug. 16.05
THE CITY OF WINNIPEG - WATER TREATMENT PLANT - CLEARWELL

PILE NUMBER	PILE LENGTH	DEPTH PREBORED	FINAL TOP ELEV.	FINAL TIP ELEV.	DES. CUTOFF ELEV.	ACT. CUTOFF ELEV.	PILE PLUMBNESS	FINAL SET			MANUFACTURERS MARKINGS R = RE-DRIVEN
								1 ST SET	2 ND SET	3 RD SET	
515	15	3.9	231.037	216.037			✓	21	19	15	2027, July 29.05
540	15	3.9					✓	20	17	15	3005, Aug 22.05
549	15	3.9	231.320	216.320			✓	21	17	11	2073, "
516	15	3.9	231.051	216.051			✓	21	15	9	3004, "
874	15	3.8	231.143	216.143			✓	23	21	20	2075, July 29.05
550	15	3.8	231.463	216.463			✓	20	15	11	2074, "
909	15	3.9	230.756	215.756			✓	21	14	12	2049, July 28.05
888	15	3.9	231.569	216.569			✓	23	17	15	2050, J "
886	15	3.9	231.134	216.134			✓	21	18	14	2053, "
887	15	3.8	231.294	216.294			✓	20	19	8	2048, "

* FOLLOWER USED, REFUSAL CRITERIA INCREASED 50%.

PILE #	COMMENTS

INSPECTOR: _____

THE CITY OF WINNIPEG - WATER TREATMENT PLANT - CLEARWELL

PILE NUMBER	PILE LENGTH	DEPTH PREBORED	FINAL TOP ELEV.	FINAL TIP ELEV.	DES. CUTOFF ELEV.	ACT. CUTOFF ELEV.	PILE PLUMBNESS	FINAL SET			MANUFACTURERS MARKINGS R = RE-DRIVEN
								1 ST SET	2 ND SET	3 RD SET	
875	15	3.9	231.763	216.763			✓	21	17	9	2055, July 28.05
907	15	3.9	230.389	215.389			✓	19	13	7	3020, Aug 05.05
892	15	3.9	230.532	215.532			✓	21	17	11	2072, July 29.05
890	15	3.9	230.529	215.529			✓	23	21	17	2032, July 28.05
891	15	3.9	230.513	215.513			✓	21	15	7	3002, Aug 02.05
908	15	3.8					✓	21	15	11	NA, July 29.05
872	15	3.9					✓	19	13	7	3010, Aug 02.05
544	15	3.8	230.445	215.445			✓	18	9	6	3021, Aug. 03.05
873	15	3.9	230.754	215.754			✓	20	18	5	3018, "
889	15	3.6	230.903	215.903			✓	17	3	5	3012, Aug 02.05

• FOLLOWER USED, REFUSAL CRITERIA INCREASED 50%.

PILE #	COMMENTS
12:05	stop for lunch & new hat, 1:45 resume hammering.

INSPECTOR:

THE CITY OF WINNIPEG - WATER TREATMENT PLANT - CLEARWELL

PILE NUMBER	PILE LENGTH	DEPTH PREBORED	FINAL TOP ELEV.	FINAL TIP ELEV.	DES. CUTOFF ELEV.	ACT. CUTOFF ELEV.	FINAL SET			MANUFACTURERS MARKINGS R = RE-DRIVEN
							1 ST SET	2 ND SET	3 RD SET	
548	15	3.5	231.080	216.080		✓	23	21	20	3001, Aug 02.05
545	15	3.9	230.454	215.454		✓	20	13	9	3013, "
547	15	3.8	230.640	215.642		✓	21	15	11	3000, "
546	15	3.2	230.527	215.527		✓	20	7	3	2099, "
510	15	3.9	231.028	216.028		✓	13	5	3	3009, "
511	15	3.9	231.061	215.061		✓	12	5	0	2098, "
512	15	3.9	230.986	215.986		✓	14	7	5	3008, "
513	15	3.9	230.824	215.824		✓	17	9	7	3006, "
541	15	3.9	230.719	215.719		✓	21	10	5	2045, July 28.05
928	15	3.9	230.624	230.624		✓	23	20	19	3014, Aug 02.05

• FOLLOWER USED, REFUSAL CRITERIA INCREASED 50%.

PILE #

COMMENTS

INSPECTOR:



A Tyco International Ltd. Company

PILE DRIVING RECORDS

DATE: Aug 16.05

THE CITY OF WINNIPEG - WATER TREATMENT PLANT - CLEARWELL

PILE NUMBER	PILE LENGTH	DEPTH PREBORED	FINAL TOP ELEV.	FINAL TIP ELEV.	DES. CUTOFF ELEV.	ACT. CUTOFF ELEV.	PILE PLUMBNESS	FINAL SET			MANUFACTURERS MARKINGS R = RE-DRIVEN
								1 ST SET	2 ND SET	3 RD SET	
127) 927	15	3.9	230.844	215.844			✓	20	14	4	3015, Aug. 02.05
926	15	3.9	230.610	215.610			✓	23	21	20	3011, "
948	15	3.9					✓	21	19	17	3023, Aug. 03.05
747) 929	15	3.9	229.856	214.856			✓	23	21	20	NA, "
968	16	3.9					✓	23	17	15	3068, Aug. 04.05
967	16	3.9					✓	20	19	18	3058, "
											"

* FOLLOWER USED, REFUSAL CRITERIA INCREASED 50%.

PILE #	COMMENTS

INSPECTOR:

THE CITY OF WINNIPEG - WATER TREATMENT PLANT - CLEARWELL

PILE NUMBER	PILE LENGTH	DEPTH PREBORED	FINAL TOP ELEV.	FINAL TIP ELEV.	DES. CUTOFF ELEV.	ACT. CUTOFF ELEV.	PILE PLUMBNESS	FINAL SET			MANUFACTURERS MARKINGS R = RE-DRIVEN
								1 ST SET	2 ND SET	3 RD SET	
966	16	3.9					✓	23	20	17	NA,
965	16	3.9					✓	21	17	15	3075, Aug 04.05
* 931	⁽¹⁵⁾ 15	3.9	230.231	215.231			✓	23	20	20	3026 Aug 03.05
932	⁽¹⁵⁾ 15	3.9	230.202	215.202			✓	24	23	23	3023 "
930	15	3.9	230.208	215.208			✓	24	22	21	3022 "
946	16	3.9	230.659	215.659			✓	24	21	19	3024 "
✓ 929	15	3.9	230.290	215.290			✓	21	20	17	3017 "
970	16	3.9					✓	23	21	19	3082 Aug 05.05
971	16	3.9					✓	24	22	15	3059 "
969	16	3.9					✓	23	21	18	3045 Aug. 04.05

* FOLLOWER USED, REFUSAL CRITERIA INCREASED 50%.

PILE #.

COMMENTS

THE CITY OF WINNIPEG - WATER TREATMENT PLANT - CLEARWELL

PILE NUMBER	PILE LENGTH	DEPTH PREBORED	FINAL TOP ELEV.	FINAL TIP ELEV.	DES. CUTOFF ELEV.	ACT. CUTOFF ELEV.	PILE PLUMBNESS	FINAL SET			MANUFACTURERS MARKINGS R = RE-DRIVEN
								1 ST SET	2 ND SET	3 RD SET	
335	15	3.9	230.590	215.590			✓	17	15	10	3016, <i>Aug. 03. 05</i>
334	15	4.2	230.468	215.468			✓	21	20	19	3023, "
333	15	4.0	230.782	215.782			✓	17	10	0	3027, "
* 326	15	4.0	230.497	215.497			✓	19	7	0	3035, "
* 325	15	4.2	230.250	215.250			✓	15	0	0	3028, <i>Aug. 05. 05</i>
323	15	4.4	231.318	216.318			✓	20	17	16	3042, <i>Aug. 03. 05</i>
324	15	4.2	230.537	215.537			✓	23	20	19	3027, "
322	15	4.0	231.398	216.398			✓	21	19	17	3020, "
336	16	4.2	231.597	215.597			✓	19	15	10	3065, <i>Aug 04. 05</i>
337	16	4.0					✓	18	11	5	3057, "

* FOLLOWER USED, REFUSAL CRITERIA INCREASED 50%.

PILE #	COMMENTS
	<i>Preset in the hole @ 7:30, 9:30 Hammering</i>

INSPECTOR:

THE CITY OF WINNIPEG - WATER TREATMENT PLANT - CLEARWELL

PILE NUMBER	PILE LENGTH	DEPTH PREBORED	FINAL TOP ELEV.	FINAL TIP ELEV.	DES. CUTOFF ELEV.	ACT. CUTOFF ELEV.	PILE PLUMBNESS	FINAL SET			MANUFACTURERS MARKINGS R = RE-DRIVEN
								1 ST SET	2 ND SET	3 RD SET	
339	16	4.2	231.458	215.458			✓	21	17	10	3054, Aug. 04.05
338	16	4.3					✓	19	18	12	3056, "
340	15	4.3	230.581	215.581			✓	20	19	16	NA, Aug. 03.05
327	15	4.0	230.569	215.569			✓	21	0	-	1730, June 30.05
328	5	4.2	230.412	215.412			✓	23	20	19	3206, Aug. 10.05
330	15	4.1	230.607	215.607			✓	21	17	13	3205, "
329	15	3.6					✓	7	5	5	3204, "
98	15	4.1	230.752	215.752			✓	9	6	0	3203, "
341	15	4.0	230.695	215.695			✓	21	11	5	3029, Aug 03.05
342	15	4.0	230.721	215.721			✓	15	5	3	3035, Aug 03.05

• FOLLOWER USED, REFUSAL CRITERIA INCREASED 50%.

PILE #	COMMENTS

INSPECTOR:

THE CITY OF WINNIPEG - WATER TREATMENT PLANT - CLEARWELL

PILE NUMBER	PILE LENGTH	DEPTH PREBORED	FINAL TOP ELEV.	FINAL TIP ELEV.	DES. CUTOFF ELEV.	ACT. CUTOFF ELEV.	PILE PLUMBNESS	FINAL SET			MANUFACTURERS MARKINGS R = RE-DRIVEN
								1 ST SET	2 ND SET	3 RD SET	
344	15	4.0	230.671	215.671			✓	11	6	5	3031, Aug 03.05
332	15	3.7	230.812	215.812			✓	19	13	7	3033, "
331 345	15	3.0	230.609	215.609			✓	17	5	3	NA,
99	15	3.9	230.828	215.828			✓	21	17	9	3038, "
343	15	4.0	230.593	215.593			✓	15	7	5	397, Aug 10.05
138	15	4.2					✓	18	9	7	3196, "
140	15	3.7	230.516	215.516			✓	19	17	13	3195, "
141	15	4.0					✓	23	19	18	3191, "
142	15	3.9	230.411	215.411			✓	23	21	17	3140, "
137	15	4.3	230.603	215.603			✓	23	18	14	3185, "

• FOLLOWER USED, REFUSAL CRITERIA INCREASED 50%.

PILE #	COMMENTS

INSPECTOR:

THE CITY OF WINNIPEG - WATER TREATMENT PLANT - CLEARWELL

PILE NUMBER	PILE LENGTH	DEPTH PREBORED	FINAL TOP ELEV.	FINAL TIP ELEV.	DES. CUTOFF ELEV.	ACT. CUTOFF ELEV.	PILE PLUMBNESS	FINAL SET			MANUFACTURERS MARKINGS R = RE-DRIVEN
								1 ST SET	2 ND SET	3 RD SET	
144	15	4.2	230.325	215.325			✓	17	11	7	3193, Aug. 09.05
145	15	3.9	232.198	217.198			✓	15	14	9	3194, "
146	15	4.1	230.283	215.283			✓	21	21	20	3199, "
135	15	4.0	230.631	215.631			✓	19	15	10	3185, "
104	15	3.9	230.908	215.908			✓	20	17	11	NA
(105) 105	15	4.1	230.979	215.979			✓	23	21	19	3184, "
106	15	4.0	231.345	216.345			✓	20	19	18	3202 2024, "
134	15	4.0	230.561	215.561			✓	22	20	17	3177, Aug 09.05
107	15	3.8	230.649	215.649			✓	20	17	10	3187, "
147	15	4.1	230.245	215.245			✓	23	22	21	3174, "

• FOLLOWER USED, REFUSAL CRITERIA INCREASED 50%.

PILE #	COMMENTS
	waiting for piles, 9:00 hammering

INSPECTOR:

THE CITY OF WINNIPEG - WATER TREATMENT PLANT - CLEARWELL

PILE NUMBER	PILE LENGTH	DEPTH PREBORED	FINAL TOP ELEV.	FINAL TIP ELEV.	DES. CUTOFF ELEV.	ACT. CUTOFF ELEV.	PILE PLUMBNESS	FINAL SET			MANUFACTURERS MARKINGS R = RE-DRIVEN
								1 ST SET	2 ND SET	3 RD SET	
108	15	4.0	230.957	215.957			✓	21	19	17	2059, July 29.05
109	15	4.4	231.025	216.025			✓	23	20	19	3176, Aug. 10.05
110	15	4.1	230.885	215.885			✓	22	20	18	1663, June 27.05
133	15	4.0	230.675	215.675			✓	23	21	20	1664, "
149	15	4.0	230.333	215.333			✓	22	19	17	1668, "
148	15	3.7	230.386	215.386			✓	24	22	21	1665, "
150	15	4.2					✓	23	19	17	1662, "
151	15	4.0					✓	20	19	18	1672, "
132	15	4.0	230.684	215.684			✓	19	16	15	1671, "
111	15	4.0	230.701	215.701			✓	20	17	13	1694, June 28.05

• FOLLOWER USED, REFUSAL CRITERIA INCREASED 50%.

PILE #	COMMENTS
11:10	ReSet jackhammering piles to correct elev.

INSPECTOR:

THE CITY OF WINNIPEG - WATER TREATMENT PLANT - CLEARWELL

PILE NUMBER	PILE LENGTH	DEPTH PREBORED	FINAL TOP ELEV.	FINAL TIP ELEV.	DES. CUTOFF ELEV.	ACT. CUTOFF ELEV.	PILE PLUMBNESS	FINAL SET			MANUFACTURERS MARKINGS R = RE-DRIVEN
								1 ST SET	2 ND SET	3 RD SET	
* 131	15	4.4	230.284	215.284			✓	23	19	18	1668, June 27.05
112	15	4.0	230.595	215.595			✓	19	17	16	1691, "
113	15	4.0	230.848	215.848			✓	21	19	17	1693, June 28.05
114	15	3.9	230.666	215.666			✓	20	18	17	1690, "
* 152	15	4.1					✓	23	21	19	1667, June 27.05
* 153	15	4.0					✓	23	23	22	1652, "
* 154	15	4.0					✓	24	23	19	1653, "
" 130	15	3.6	230.176 230.666	215.176 215.666			✓	23	19	17	1650, "
* 115	15	4.0	230.666 230.705	215.666 215.705			✓	24	18	16	1651, "
155	15	3.8					✓				3067, Aug 04.

* FOLLOWER USED, REFUSAL CRITERIA INCREASED 50%.

PILE #	COMMENTS

INSPECTOR:

THE CITY OF WINNIPEG - WATER TREATMENT PLANT - CLEARWELL

PILE NUMBER	PILE LENGTH	DEPTH PREBORED	FINAL TOP ELEV.	FINAL TIP ELEV.	DES. CUTOFF ELEV.	ACT. CUTOFF ELEV.	PILE PLUMBNESS	FINAL SET			MANUFACTURERS MARKINGS R = RE-DRIVEN
								1 ST SET	2 ND SET	3 RD SET	
117	16	4.3	CUT	N/A			✓	23	21	19	3066, Aug. 04, 05
118	16	4.0	231.692	215.692			✓ ^{N 1 1/2%}	21	20	19	3052, "
119	16	4.0	231.712	215.712			✓	23	21	20	3055, "
128	16	4.0					✓	21	20	17	3051,
129	⁽¹⁵⁾ 15	3.9	230.438	215.438			✓	24	22	21	1661, June 27, 05
157	15	4.1	230.393	215.393			✓	24	23	21	1655, "
* 156	15	4.0	230.278	215.278			✓	23	19	18	1637, June 24, 05
158	15	4.0	230.374	214.374			✓	24	23	22	1659, June 27, 05
168	15	3.7					✓	24	23	21	1666, "
159	15	3.8	230.594	215.594			✓	23	22	21	1630, June 24, 05

* FOLLOWER USED, REFUSAL CRITERIA INCREASED 50%.

PILE #

COMMENTS

7:20 Hammering, 9:05 evacuate the hole,

INSPECTOR:



A Tyco International Ltd. Company

PILE DRIVING RECORDS

DATE:

Aug. 22.05

THE CITY OF WINNIPEG - WATER TREATMENT PLANT - CLEARWELL

PILE NUMBER	PILE LENGTH	DEPTH PREBORED	FINAL TOP ELEV.	FINAL TIP ELEV.	DES. CUTOFF ELEV.	ACT. CUTOFF ELEV.	PILE PLUMBNESS	FINAL SET			MANUFACTURERS MARKINGS R = RE-DRIVEN
								1 ST SET	2 ND SET	3 RD SET	
507	16	4.7	231.480	215.480			✓	21	19	17	3243, Aug 12.05
362	16	4.9	231.828	231.828			✓	23	21	15	3235, Aug 13.05
363	16	4.8	231.844	215.844			✓	21	19	13	3246, Aug 12.05
509	16	4.7	232.034	216.034			✓	20	18	13	3240, "
508	16	4.2	231.928	215.928			✓	23	17	11	3242, "
542	16	4.0	231.839	215.839			✓	21	12	9	3241, "
493	15	4.2	230.617	215.617			✓	20	16	12	11660, June 28.05
492	16	4.5	231.688	215.688			✓	23	17	16	3238, Aug. 12.05
491	15	4.7	230.507	215.507			✓	24	21	19	1642, June 28.05
364	16	4.2	231.514	215.514			✓	21	19	16	3239, Aug 12.05

• FOLLOWER USED, REFUSAL CRITERIA INCREASED 50%.

PILE #	COMMENTS
	11:07 Hammering, 12:05 stop for lunch & standing piles, 1:47 Hammering

INSPECTOR:



A Tyco International Ltd. Company

PILE DRIVING RECORDS

DATE:

Aug 22.05

THE CITY OF WINNIPEG - WATER TREATMENT PLANT - CLEARWELL

PILE NUMBER	PILE LENGTH	DEPTH PREBORED	FINAL TOP ELEV.	FINAL TIP ELEV.	DES. CUTOFF ELEV.	ACT. CUTOFF ELEV.	PILE PLUMBNESS	FINAL SET			MANUFACTURERS MARKINGS R = RE-DRIVEN
								1 ST SET	2 ND SET	3 RD SET	
365	16	4.7					✓	23	17	15	3079, Aug. 04.05
490	16	4.2	231.520	215.520			✓	21	19	17	3245, Aug. 12.05
306	16	4.5	231.649	215.649			✓	21	17	13	3244, "
494	17	4.7	232.796	232.796			✓	23	21	17	1999, July 19.05
496	16	4.2	231.945	215.945			✓	22	17	11	3262, Aug. 16.05
* 495	16	4.3	NO REFUSAL				✓	21	18	12	3257, "
503	16	4.8	231.493	215.493			✓	21	18	12	3264, "
504	16	4.5	231.590	215.590			✓	21	20	17	3278, "
505	16	4.7	230.915	214.915			✓	23	17	13	3279, "
506	16	4.3	231.886	215.886			✓	21	19	15	3260, "

* FOLLOWER USED, REFUSAL CRITERIA INCREASED 50%.

PILE #

COMMENTS

INSPECTOR:

THE CITY OF WINNIPEG - WATER TREATMENT PLANT - CLEARWELL

PILE NUMBER	PILE LENGTH	DEPTH PREBORED	FINAL TOP ELEV.	FINAL TIP ELEV.	DES. CUTOFF ELEV.	ACT. CUTOFF ELEV.	PILE PLUMBNESS	FINAL SET			MANUFACTURERS MARKINGS R = RE-DRIVEN
								1 ST SET	2 ND SET	3 RD SET	
* 495A18	18	4.0	NO	REFUSAL			✓	NA	NA	NA	1754, Nov. 03.05
543	16	4.2	231.636	215.636			✓	21	17	13	3270, Aug. 16.05
893	17	4.7	232.138	215.138			✓	23	22	20	1991, July 19.05
906	17	4.6	232.229	215.229			✓	24	23	22	1997, "
933	17	4.7	232.065	215.065			✓	23	22	21	1996, "

• FOLLOWER USED, REFUSAL CRITERIA INCREASED 50%.

PILE #

COMMENTS

INSPECTOR:



A Tyco International Ltd. Company

PILE DRIVING RECORDS

DATE:

Aug. 23.05

THE CITY OF WINNIPEG - WATER TREATMENT PLANT - CLEARWELL

PILE NUMBER	PILE LENGTH	DEPTH PREBORED	FINAL TOP ELEV.	FINAL TIP ELEV.	DES. CUTOFF ELEV.	ACT. CUTOFF ELEV.	PILE PLUMBNESS	FINAL SET			MANUFACTURERS MARKINGS R = RE-DRIVEN
								1 ST SET	2 ND SET	3 RD SET	
502	^{16.5} 17	4.5	232.584	215.584			2 1/2 w	21	17	16	1992, July 19.05
870	^{18.5} 17	4.5	232.387	215.387			3 1/2 w	23	19	17	1993, "
495B	18	4.5	234.021	216.021			✓	21	17	13	70, Jan. 21.05
934	16	4.5	230.788	214.788			✓	23	20	17	N/A
895	17	4.5	232.240	215.240			✓	19	17	15	1990, July 19.05
871	17	4.5					✓	21	20	16	1995, "
975	16	4.5					✓	21	19	15	3208, Aug. 11.05
974	16	3.9					✓	19	15	11	3247, Aug 12.05
973	16	4.5					1 w	21	17	13	N/A, Aug 11.05
744- 905	16	4.4	230.654	214.654			✓	20	17	14	3249, Aug 12.05

• FOLLOWER USED, REFUSAL CRITERIA INCREASED 50%.

PILE #	COMMENTS
	Re-drive @ 8:40-8:55, waiting for 18m pile for 495"B", 9:18 Hammering (not 945"B).

INSPECTOR:

THE CITY OF WINNIPEG - WATER TREATMENT PLANT - CLEARWELL

PILE NUMBER	PILE LENGTH	DEPTH PREBORED	FINAL TOP ELEV.	FINAL TIP ELEV.	DES. CUTOFF ELEV.	ACT. CUTOFF ELEV.	PILE PLUMBNESS	FINAL SET			MANUFACTURERS MARKINGS R = RE-DRIVEN
								1 ST SET	2 ND SET	3 RD SET	
136 897	17	4.5	231.630	214.630			✓	19	17	13	1975, July 19.05
935	16	4.5	230.768	214.768			✓	17	15	12	60, Jan. 20.05
905	16	4.2	231.210	216.210			✓	21	17	10	124, Jan. 24.05
945	16	4.5	230.659	214.659			✓	20	19	13	3027, Aug. 11.05
972	16	4.3					✓	22	18	14	3211, "
896	16	4.4	231.062	215.062			✓	21	17	15	39, Jan. 19.05
894	16 17	4.5	232.049	215.049			✓	22	19	17	1977, July 18.05
497	17	4.6	232.764	215.764			✓	7	N/A	N/A	1978, "
348	16	4.5	231.458 ⁶⁷⁴	215.458 ⁶⁷⁴			✓	21	17	11	N/A, N/A
349	16	4.5	231.764	215.764			✓	23	17	15	21 Jan 21.05

* FOLLOWER USED, REFUSAL CRITERIA INCREASED 50%.

PILE #	COMMENTS



A Tyco International Ltd. Company

PILE DRIVING RECORDS

DATE:

Aug. 23, 05

THE CITY OF WINNIPEG - WATER TREATMENT PLANT - CLEARWELL

PILE NUMBER	PILE LENGTH	DEPTH PREBORED	FINAL TOP ELEV.	FINAL TIP ELEV.	DES. CUTOFF ELEV.	ACT. CUTOFF ELEV.	PILE PLUMBNESS	FINAL SET			MANUFACTURERS MARKINGS R = RE-DRIVEN
								1 ST SET	2 ND SET	3 RD SET	
347	16	4.2	231.867	215.867			✓	23	17	15	27, Jan 21, 05

• FOLLOWER USED, REFUSAL CRITERIA INCREASED 50%.

PILE #	COMMENTS
4:21	not driving

INSPECTOR:



A Tyco International Ltd. Company

PILE DRIVING RECORDS

DATE: Aug 24.05

THE CITY OF WINNIPEG - WATER TREATMENT PLANT - CLEARWELL

PILE NUMBER	PILE LENGTH	DEPTH PREBORED	FINAL TOP ELEV.	FINAL TIP ELEV.	DES. CUTOFF ELEV.	ACT. CUTOFF ELEV.	PILE PLUMBNESS	FINAL SET			MANUFACTURERS MARKINGS R = RE-DRIVEN
								1 ST SET	2 ND SET	3 RD SET	
360	16	4.5	231.589 231.649	215.589 215.649			✓	21	17	13	37, Jan. 14.05
361	16	4.5	231.815	215.815			1 1/2% 2	22	19	15	40, "
346	16	4.6	231.671	215.671			✓	23	22	19	77, Feb. 14.05
345	17	4.5					✓	23	21	17	1971, July 18.05
139) 149	17	4.0					✓	19	17	7	1976, "
356	16	4.3	231.390 231.462	215.390 215.462			✓	23	22	19	3286, Aug. 17.05
350	16	4.2	231.797	215.797			✓	23	13	5	3281, "
354	16	4.3	231.600	215.600			✓	20	9	5	3280, "
352	16	4.2	231.725	215.725			✓	17	11	4	3297, "
353	16	4.4	231.417	215.417			✓	20	17	12	3293, "

• FOLLOWER USED, REFUSAL CRITERIA INCREASED 50%.

PILE #	COMMENTS
469:05	Hammering

INSPECTOR:



A Tyco International Ltd. Company

PILE DRIVING RECORDS

DATE: Aug. 24.05

THE CITY OF WINNIPEG - WATER TREATMENT PLANT - CLEARWELL

PILE NUMBER	PILE LENGTH	DEPTH PREBORED	FINAL TOP ELEV.	FINAL TIP ELEV.	DES. CUTOFF ELEV.	ACT. CUTOFF ELEV.	PILE PLUMBNESS	FINAL SET			MANUFACTURERS MARKINGS R = RE-DRIVEN
								1 ST SET	2 ND SET	3 RD SET	
355	16	4.2	231.473	215.473			✓	21	17	11	63, Jan 20.05
180	16	4.5	231.709	215.709			2%	23	14	9	3305, Aug 18.05
182	16	4.3	231.730	215.730			✓	21	17	11	38, Jan 19.05

• FOLLOWER USED, REFUSAL CRITERIA INCREASED 50%.

PILE #	COMMENTS
	stopped for lunch, hammering 1:30, 2:23 stopped for crane repair.

INSPECTOR:



A Tyco International Ltd. Company

PILE DRIVING RECORDS

DATE:

Aug 25, 05

THE CITY OF WINNIPEG - WATER TREATMENT PLANT - CLEARWELL

PILE NUMBER	PILE LENGTH	DEPTH PREBORED	FINAL TOP ELEV.	FINAL TIP ELEV.	DES. CUTOFF ELEV.	ACT. CUTOFF ELEV.	PILE PLUMBNESS	FINAL SET			MANUFACTURERS MARKINGS R = RE-DRIVEN
								1 ST SET	2 ND SET	3 RD SET	
350	16	4.0	232.028	216.028			✓				N/A
178	16	4.2	231.446	215.446			✓				"
181	16	4.0	231.617	215.607			✓				"
177	16	4.0	230.280	215.280			✓				"
183	16	4.2	231.204	215.204			✓				"
176	16	4.5					✓				58 Jan 20.05
184	16	4.2	230.784	214.784			✓				64 "
185	16	4.0	230.763	214.763			✓				3313 Aug. 18. 05
186	16	4.2	230.644	214.644			✓				N/A
175	16	4.0					✓				3291 Aug. 17.05

• FOLLOWER USED, REFUSAL CRITERIA INCREASED 50%.

PILE #	COMMENTS
8:15	Hammering,

INSPECTOR:

THE CITY OF WINNIPEG - WATER TREATMENT PLANT - CLEARWELL

PILE NUMBER	PILE LENGTH	DEPTH PREBORED	FINAL TOP ELEV.	FINAL TIP ELEV.	DES. CUTOFF ELEV.	ACT. CUTOFF ELEV.	PILE PLUMBNESS	FINAL SET			MANUFACTURERS MARKINGS R = RE-DRIVEN
								1 ST SET	2 ND SET	3 RD SET	
187	16	4.2	230.955 230.397	214.955 214.397			✓	21	17	13	N/A
174	16	4.2	231.066	215.066			✓	19	18	16	59, Jan 20.05
1039	17	4.7	230.422	214.422			✓	20	19	15	1942, July 18.05
(035) 1035	17	4.5	231.263	214.263			✓	17	15	13	1974, "
1034	17	4.5	231.506	214.263			✓	21	20	16	1843, July 15.05
997	17	4.5	231.212	214.212			✓	23	17	10	1939, "
1037	17	4.2	230.482	213.482			✓	24	23	20	1940, "
1038	17	4.6	230.471	213.471			✓	23	21	17	1969, July 18.05
1036	17	4.0	231.259	214.259			✓	21	17	13	1941, July 15.05
1033	17	4.7	231.173	214.173			✓	23	20	15	1996, "

• FOLLOWER USED, REFUSAL CRITERIA INCREASED 50%.

PILE #

COMMENTS

11:15	not hammering, waiting for stand-up, 12:00 Hammering
12:08	Lunch, 1:12 Hammering, 1:46 stopped to unload piles,
2:33	Hammering,



A Tyco International Ltd. Company

PILE DRIVING RECORDS

DATE:

Aug 25 05

THE CITY OF WINNIPEG - WATER TREATMENT PLANT - CLEARWELL

PILE NUMBER	PILE LENGTH	DEPTH PREBORED	FINAL TOP ELEV.	FINAL TIP ELEV.	DES. CUTOFF ELEV.	ACT. CUTOFF ELEV.	PILE PLUMBNESS	FINAL SET			MANUFACTURERS MARKINGS R = RE-DRIVEN
								1 ST SET	2 ND SET	3 RD SET	
1032	17	4.2	230.379	213.379			✓	23	22	20	1970, July 18.05
1000	17	4.7	230.504	214.458			✓	21	21	15	1972, "
188	16	4.0	231.018	215.018			✓	21	17	15	3308, Aug 18.05
190	16	4.1	230.931	214.931			✓	23	19	10	3315, "
189	16	4.0	230.919	214.919			✓	21	17	14	3312, "
191	16	3.2	230.541	214.541			✓	23	18	17	3304, "
173	16	4.1	231.111	215.111			✓	21	19	08	3307, "
172	16	4.2	230.964	215.964			✓	20	20	19	3303, "

• FOLLOWER USED, REFUSAL CRITERIA INCREASED 50%.

PILE #	COMMENTS
	3:20 coffee, 4:10 Hammering, 6:00 Finished for the day!

INSPECTOR:



A Tyco International Ltd. Company

PILE DRIVING RECORDS

DATE: Aug. 26.05

THE CITY OF WINNIPEG - WATER TREATMENT PLANT - CLEARWELL

PILE NUMBER	PILE LENGTH	DEPTH PREBORED	FINAL TOP ELEV.	FINAL TIP ELEV.	DES. CUTOFF ELEV.	ACT. CUTOFF ELEV.	PILE PLUMBNESS	FINAL SET			MANUFACTURERS MARKINGS R = RE-DRIVEN
								1 ST SET	2 ND SET	3 RD SET	
179	16	4.2	231.596	215.596			✓	23	20	19	3300, Aug. 18.05
217	✓	4.3	231.030	215.030			✓	21	19	17	3317, "
216	✓	4.0	230.752	214.752			✓	21	20	15	3316, "
215	✓	4.0	230.773	214.773			✓	21	13	7	3339, Aug. 19.05
214	✓	4.1	230.686	214.686			✓	22	17	14	3318, Aug. 18.05
213	✓	4.5	230.439	214.439			✓	22	19	16	3314, "
212	✓	4.2	230.499	214.499			✓	23	16	15	3332, Aug 19.05
192	✓	4.0	230.721 ⁵¹³	214.513			✓	24	22	20	3303, Aug. 18.05
193	✓	4.1	230.514	215.514			✓	24	24	23	3331, Aug 19.
194	✓	4.3	230.599	214.599			✓	24	23	22	3330, "

• FOLLOWER USED, REFUSAL CRITERIA INCREASED 50%.

PILE #	COMMENTS
	8:30 Hammering, 8:38 Preset was suppose to start on shoring in the S.W. corner but then they couldn't due to a pipe lay-out problem. Now they are waiting for lay-out. 11:00 piles on-site.
	12:54 Hammering,

INSPECTOR:



A Tyco International Ltd. Company

PILE DRIVING RECORDS

DATE:

Aug. 26.05

THE CITY OF WINNIPEG - WATER TREATMENT PLANT - CLEARWELL

PILE NUMBER	PILE LENGTH	DEPTH PREBORED	FINAL TOP ELEV.	FINAL TIP ELEV.	DES. CUTOFF ELEV.	ACT. CUTOFF ELEV.	PILE PLUMBNESS	FINAL SET			MANUFACTURERS MARKINGS R = RE-DRIVEN
								1 ST SET	2 ND SET	3 RD SET	
171	16	4.3	230.721	214.721			✓	23	21	17	3333, Aug. 19.05
161 211	16	4.4	231.586	231.586			✓	24	23	23	3338, "
160	16	4.2	231.754	215.754			✓	23	22	21	3337, "
127	16	4.4	231.847	215.847			✓	21	20	18	3339, "
164	16	4.2	233.095	216.095			✓	23	22	21	1950, July 15.05
163	17	4.4	232.905	215.905			✓	23	21	20	1949, "
162	17	4.5	232.390	215.390			✓	22	22	19	1944, "
125	17	4.2	232.825	215.825			✓	21	20	17	1943, "
170	16	4.2	230.582	214.582			✓	22	17	13	3349, Aug. 19.05
169	16	4.4	231.329	215.329			✓				3336, "

• FOLLOWER USED, REFUSAL CRITERIA INCREASED 50%.

PILE #

COMMENTS

3:00 coffee & standing piles in N.W. corner, 3:

INSPECTOR:



A Tyco International Ltd. Company

PILE DRIVING RECORDS

DATE:

Aug. 26.05

THE CITY OF WINNIPEG - WATER TREATMENT PLANT - CLEARWELL

PILE NUMBER	PILE LENGTH	DEPTH PREBORED	FINAL TOP ELEV.	FINAL TIP ELEV.	DES. CUTOFF ELEV.	ACT. CUTOFF ELEV.	PILE PLUMBNESS	FINAL SET			MANUFACTURERS MARKINGS R = RE-DRIVEN
								1 ST SET	2 ND SET	3 RD SET	
167	16	4.2	231.736	215.736			✓	23	22	21	3335, Aug. 19.05
166	16	4.2	231.714	215.714			✓	23	17	8	3347, "
165	16	4.4					✓	21	19	17	3340, "

• FOLLOWER USED, REFUSAL CRITERIA INCREASED 50%.

PILE #	COMMENTS

INSPECTOR:



A Tyco International Ltd. Company

PILE DRIVING RECORDS

DATE:

Aug. 29.05

THE CITY OF WINNIPEG - WATER TREATMENT PLANT - CLEARWELL

PILE NUMBER	PILE LENGTH	DEPTH PREBORED	FINAL TOP ELEV.	FINAL TIP ELEV.	DES. CUTOFF ELEV.	ACT. CUTOFF ELEV.	PILE PLUMBNESS	FINAL SET			MANUFACTURERS MARKINGS R = RE-DRIVEN
								1 ST SET	2 ND SET	3 RD SET	
211	16	4.2	230.350	214.350			✓	23	20	17	3344, Aug 18.05
210	16	4.3	230.376	214.376			✓	21	19	15	3302, "
195	16	4.3	230.530	214.530			✓	22	17	16	3310, "
209	16	4.4	230.500	214.500			✓	23	20	18	3301, "
196	16	4.0	230.970	214.970			✓	21	20	15	3311, "
197	16	4.2	231.113	215.113			✓	22	17	13	3348, Aug 19.05
198	16	4.2	231.111	215.111			✓	23	20	19	3319, Aug. 18.05
208	16	4.3	230.655	214.655			20%	23	17	5	3306, "
206	16	4.3	230.507	214.507			✓	21	16	14	3351, Aug. 22.05
207	16	4.3	230.743	214.743			✓	23	19	15	3352, "

• FOLLOWER USED, REFUSAL CRITERIA INCREASED 50%.

PILE #	COMMENTS
	8:49 Hammering, 9:42 coffee, 10:30 Hammering,

INSPECTOR:



A Tyco International Ltd. Company

PILE DRIVING RECORDS

DATE:

Aug. 29, 05

THE CITY OF WINNIPEG - WATER TREATMENT PLANT - CLEARWELL

PILE NUMBER	PILE LENGTH	DEPTH PREBORED	FINAL TOP ELEV.	FINAL TIP ELEV.	DES. CUTOFF ELEV.	ACT. CUTOFF ELEV.	PILE PLUMBNESS	FINAL SET			MANUFACTURERS MARKINGS R = RE-DRIVEN
								1 ST SET	2 ND SET	3 RD SET	
201	16	4.1	231.391	215.391			✓	23	15	9	3359, Aug. 22, 05
200	16	4.2	231.559	215.559			✓	21	20	16	3348, Aug 19, 05
199	16	4.2	231.274	215.274			✓	23	17	11	3345, "
202	⁽¹⁷⁾ 16	4.3	232.842	215.842			✓	21	19	16	1952 July 15, 05
203	17	4.4	232.592	215.592			✓	23	16	15	1954, July 15, 05
204	17	4.0	232.702	215.702			✓	22	18	13	1949, "
205	17	4.1	232.155	215.155			✓	20	13	7	1957, "
240	16	4.3	230.656	214.656			✓	21	17	12	3354, Aug 22, 05
241	16	4.2	232.014	215.014			✓	23	23	20	3358, "
568	16	4.3	230.263	214.263			✓	21	20	15	3335, "

• FOLLOWER USED, REFUSAL CRITERIA INCREASED 50%.

PILE #

COMMENTS

12:07 lunch & standing piles, 1:46 Hammering,

INSPECTOR:



A Tyco International Ltd. Company

PILE DRIVING RECORDS

DATE:

Aug. 29.05

THE CITY OF WINNIPEG - WATER TREATMENT PLANT - CLEARWELL

PILE NUMBER	PILE LENGTH	DEPTH PREBORED	FINAL TOP ELEV.	FINAL TIP ELEV.	DES. CUTOFF ELEV.	ACT. CUTOFF ELEV.	PILE PLUMBNESS	FINAL SET			MANUFACTURERS MARKINGS R = RE-DRIVEN
								1 ST SET	2 ND SET	3 RD SET	
594	16	4.4	230.472	214.472			✓	23	21	15	3355, Aug. 22.05
244	17	4.2	230.293	214.293			✓	23	22	21	33 N/A,
242	17	4.3	232.031	215.028			✓	24	23	22	N/A,
243	17	4.3	231.927	214.927			✓	23	22	20	5012, July 15.05
567	17	4.3	231.887	214.887			✓	23	20	19	957, May 17.05
595	16	4.0	230.723	214.723			✓	21	19	15	3356, Aug 22.05

• FOLLOWER USED, REFUSAL CRITERIA INCREASED 50%.

PILE #	COMMENTS
	3:10 done driving for the day.

INSPECTOR:



A Tyco International Ltd. Company

PILE DRIVING RECORDS

DATE:

Aug 31, 05

THE CITY OF WINNIPEG - WATER TREATMENT PLANT - CLEARWELL

PILE NUMBER	PILE LENGTH	DEPTH PREBORED	FINAL TOP ELEV.	FINAL TIP ELEV.	DES. CUTOFF ELEV.	ACT. CUTOFF ELEV.	PILE PLUMBNESS	FINAL SET			MANUFACTURERS MARKINGS R = RE-DRIVEN
								1 ST SET	2 ND SET	3 RD SET	
597	17	3.6	232.094	215.094			✓	10	12	10	986? May 17, 05
608	17	3.7	232.225	215.225			✓	24	21	16	953 " "
611	17	3.7	232.390	215.390			✓	24	19	14	955 " "
613	17	3.6	232.470	215.470			✓	24	6	/	958 " "
628	17	3.8	232.362	215.362			✓	23	0	/	976 May 18, 05
631	17	3.8	232.342	215.342			✓	15	6	3	954 May 17, 05
646	17	3.7	231.034	214.034			✓	20	12	4	949* " " "

• FOLLOWER USED, REFUSAL CRITERIA INCREASED 50%.

PILE #

COMMENTS

613	- 3 set not taken - bouncing on boulder.
628	- 2 set only 6 Blows - bouncing on boulder.

PAGE# | OF |

INSPECTOR:

THE CITY OF WINNIPEG - WATER TREATMENT PLANT - CLEARWELL

PILE NUMBER	PILE LENGTH	DEPTH PREBORED	FINAL TOP ELEV.	FINAL TIP ELEV.	DES. CUTOFF ELEV.	ACT. CUTOFF ELEV.	PILE PLUMBNESS	FINAL SET			MANUFACTURERS MARKINGS R = RE-DRIVEN	
								1 ST SET	2 ND SET	3 RD SET		
596	17	3.8	231.567	214.507			✓	24	20	14	974	May 18, 05
609	17	3.8	232.234	215.234			✓	23	11	2	973	"
610	17	3.7	232.113	215.113			✓	17	12	8	977	"
612	17	3.9	232.330	215.330			✓	15	9	4	971	"
629	17	3.7	232.196	215.196			✓	22	14	9	952	May 17, 05
630	17	3.8	232.230	215.230			✓	24	10	2	978	" 18, 05
647	17	3.9	232.223	215.223			✓	18	9	3	975	" "
648	17	3.7	232.201	215.201			✓	7	Ø	Ø	950	May 17, 05
650	17	3.9	230.735	215.367			✓	24	4	3	951	" "
<i>649</i> 646	16	3.8	230.735	215.367			✓	20	9	4	3362	Aug 22, 05

• FOLLOWER USED, REFUSAL CRITERIA INCREASED 50%.

PILE #	COMMENTS
648	Only 1 set, stopped on boulder



A Tyco International Ltd. Company

PILE DRIVING RECORDS

DATE:

Sept. 2005

THE CITY OF WINNIPEG - WATER TREATMENT PLANT - CLEARWELL

PILE NUMBER	PILE LENGTH	DEPTH PREBORED	FINAL TOP ELEV.	FINAL TIP ELEV.	DES. CUTOFF ELEV.	ACT. CUTOFF ELEV.	PILE PLUMBNESS	FINAL SET			MANUFACTURERS MARKINGS R = RE-DRIVEN
								1 ST SET	2 ND SET	3 RD SET	
51 649	16	3.6	230.904	215.431			✓	20	7	2	3361 Aug 22, 05
660	16	3.7	231.258	215.258			✓	20	7	2	_____
661	16	3.7	231.382	215.382			✓	22	23	12	3365 Aug 22, 05
662	16	3.8	231.339	215.339			✓	24	12	3	3363 " "
663	16	3.5	231.290	215.290			✓	24	10	5	3385 Aug 23, 05
124 716	16	3.4	231.608	215.608			✓	24	8	2	3350 Aug 22, 05
713	16	3.5	231.711	215.711			✓	5	1	/	3352 " "
712	16	3.5	231.584	215.584			✓	23	9	3	3364 " "
664	16	3.4	231.240	215.240			✓	24	12	3	3367 " "
665	16	3.7	231.337	215.337			✓	25	9	2	_____

• FOLLOWER USED, REFUSAL CRITERIA INCREASED 50%.

PILE #

COMMENTS

713 - Only 2 sets - 2 ND set bouncing

INSPECTOR:



A Tyco International Ltd. Company

PILE DRIVING RECORDS

DATE:

Sept. 2, 05

THE CITY OF WINNIPEG - WATER TREATMENT PLANT - CLEARWELL

PILE NUMBER	PILE LENGTH	DEPTH PREBORED	FINAL TOP ELEV.	FINAL TIP ELEV.	DES. CUTOFF ELEV.	ACT. CUTOFF ELEV.	PILE PLUMBNESS	FINAL SET			MANUFACTURERS MARKINGS R = RE-DRIVEN
								1 ST SET	2 ND SET	3 RD SET	
666	16	3.7	231.360	215.360			✓	17	5	3	3374 Aug 22, 05
667	16	3.8	231.464	215.464			✓	25	12	3	3366 " "
1123	16	3.5	231.477	215.477			✓	26	5	3	3342 Aug 19, 05
711	16	3.6	231.599	215.599			✓	20	9	3	3368 Aug 22, 05
668	16	3.6	231.573	215.573			✓	24	4	1	3360 " "
669	16	3.8	231.568	215.568			✓	22	9	3	3341 Aug 19, 05
718	16	3.7	231.388	215.388			✓	22	5	2	3375 Aug 23, 05
727	16	3.9					✓	24	9	3	
724	16	3.5					✓	23	8	2	3382 Aug 23, 05
722	16	3.4	231.516	215.516			✓	22	7	2	3383 " "

• FOLLOWER USED, REFUSAL CRITERIA INCREASED 50%.

PILE #

COMMENTS

INSPECTOR:



A Tyco International Ltd. Company

PILE DRIVING RECORDS

DATE:

Sept. 2, 05

THE CITY OF WINNIPEG - WATER TREATMENT PLANT - CLEARWELL

PILE NUMBER	PILE LENGTH	DEPTH PREBORED	FINAL TOP ELEV.	FINAL TIP ELEV.	DES. CUTOFF ELEV.	ACT. CUTOFF ELEV.	PILE PLUMBNESS	FINAL SET			MANUFACTURERS MARKINGS R = RE-DRIVEN
								1 ST SET	2 ND SET	3 RD SET	
1125	16	3.6	231.475	215.473			✓	20	11	8	3370 Aug 23, 05
719	16	3.4	231.463	215.463			✓	22	14	3	3378 " "
717	16	3.6	231.393	215.393			✓	22	15	4	3376 " "
716	16	3.6	231.482	215.482			✓	20	9	3	3377 " "
715	16	3.6	231.486	215.486			✓	24	7	2	3392 " "

• FOLLOWER USED, REFUSAL CRITERIA INCREASED 50%.

PILE #	COMMENTS

INSPECTOR:



A Tyco International Ltd. Company

PILE DRIVING RECORDS

DATE:

Sept. 06. 05

THE CITY OF WINNIPEG - WATER TREATMENT PLANT - CLEARWELL

PILE NUMBER	PILE LENGTH	DEPTH PREBORED	FINAL TOP ELEV.	FINAL TIP ELEV.	DES. CUTOFF ELEV.	ACT. CUTOFF ELEV.	PILE PLUMBNESS	FINAL SET			MANUFACTURERS MARKINGS R = RE-DRIVEN
								1 ST SET	2 ND SET	3 RD SET	
671 671	16	4.3	231.741	215.741			✓	3	0	0	3294, Aug 22.05
670	16	4.2	231.658	215.653			✓	17	2	0	3388, "
672	16	4.3	231.360	215.360			✓	19	7	3	3389, Aug 23.05
710	16	4.2	231.692	215.692			✓	10	2	0	3390, "
699	16	4.2	231.515	231.515			2 1/4	13	7	5	3391, "
698	16	4.3	231.209	215.209			✓	13	9	4	3384, "
673	16	4.2	231.044	215.044			✓	19	18	15	3387, "
720	16	4.1	231.487	215.487			✓	19	7	2	4003, Aug 24, 05
1126	16	4.1	231.360	215.360			✓	15	9	3	3398, Aug 23.05
714	16	4.2	231.358	215.358			✓	13	5	2	4001, Aug. 24.05

• FOLLOWER USED, REFUSAL CRITERIA INCREASED 50%.

PILE #	COMMENTS
	10:58-Hammering (Preset was driving shoring in S.W. corner.)
	11:20-11:49 standing 4 piles, 11:50 Hammering, 12:23 lunch, 1:20 redrive
	1:25 waiting for lay-out, 5:13 hammering
# 670	stopped dead,
# 671	" "

INSPECTOR:



A Tyco International Ltd. Company

PILE DRIVING RECORDS

DATE:

Sept. 06. 05

THE CITY OF WINNIPEG - WATER TREATMENT PLANT - CLEARWELL

PILE NUMBER	PILE LENGTH	DEPTH PREBORED	FINAL TOP ELEV.	FINAL TIP ELEV.	DES. CUTOFF ELEV.	ACT. CUTOFF ELEV.	PILE PLUMBNESS	FINAL SET			MANUFACTURERS MARKINGS R = RE-DRIVEN
								1 ST SET	2 ND SET	3 RD SET	
708	16	4.1	231.373	215.373			✓	17	09	3	3399, Aug 23.05
709	16	4.2	231.538	215.538			✓	15	7	2	3391, "
701	16	4.1	231.360	215.360			1/5	19	9	5	4009, Aug 24.05
697	16	4.3	231.163	215.163			✓	17	13	6	4006, "

• FOLLOWER USED, REFUSAL CRITERIA INCREASED 50%.

PILE #	COMMENTS

INSPECTOR:



A Tyco International Ltd. Company

PILE DRIVING RECORDS

DATE:

Sept. 07, 05

THE CITY OF WINNIPEG - WATER TREATMENT PLANT - CLEARWELL

PILE NUMBER	PILE LENGTH	DEPTH PREBORED	FINAL TOP ELEV.	FINAL TIP ELEV.	DES. CUTOFF ELEV.	ACT. CUTOFF ELEV.	PILE PLUMBNESS	FINAL SET			MANUFACTURERS MARKINGS R = RE-DRIVEN
								1 ST SET	2 ND SET	3 RD SET	
725	16	3.3					✓	15	5	2	3396, Aug 23. 05
706	16	3.4					✓	7	2	0	3395, "
721	16	3.3	231.416	215.416			✓	19	14	7	3397, "
707	16	3.3	231.374	215.374			✓	11	5	2	3387, "
704	16	3.4					✓	13	6	3	3386, "
695	16	3.3					✓	9	5	2	3371, "
703	16	3.4	231.313	215.313			1/2 ✓	22	15	3	3380, "
702	16	3.4	231.406	215.406			✓	11	6	5	4000, Aug 24. 05
696	16	3.3	231.136	215.136			✓	14	8	4	3381, Aug 23, 05
692	16	3.4	231.216	215.216			✓	15	9	3	4029, Aug 24. 05

• FOLLOWER USED, REFUSAL CRITERIA INCREASED 50%.

PILE #	COMMENTS
	standing piles till 8:20 then hammering,

INSPECTOR:



A Tyco International Ltd. Company

PILE DRIVING RECORDS

DATE:

Sept 07.05

THE CITY OF WINNIPEG - WATER TREATMENT PLANT - CLEARWELL

PILE NUMBER	PILE LENGTH	DEPTH PREBORED	FINAL TOP ELEV.	FINAL TIP ELEV.	DES. CUTOFF ELEV.	ACT. CUTOFF ELEV.	PILE PLUMBNESS	FINAL SET			MANUFACTURERS MARKINGS R = RE-DRIVEN
								1 ST SET	2 ND SET	3 RD SET	
674	16	4.3	230.885	214.885			✓	17	11	03	4010, Aug 24.05
675	16	4.3	231.417	215.417			✓	15	13	05	4005, "
677	16	4.2	231.189 243	215.189 243			✓	19	11	09	4017, "
676	16	4.3	231.243	215.243			✓	16	11	06	4013, "
659	16	4.3					✓	14	9	03	4022, "
705	16	4.4					✓	16	12	04	4032, "
1127	16	4.3	231.254	215.254			✓	17	10	09	4025, "
689	16	4.3	231.117	215.117			✓	20	13	10	4016, "
693	16	4.3	231.127	215.127			✓	17	14	07	4007, "
690	16	4.2	231.167	215.167			✓	19	12	10	4020, "

• FOLLOWER USED, REFUSAL CRITERIA INCREASED 50%.

PILE #	COMMENTS

INSPECTOR:

THE CITY OF WINNIPEG - WATER TREATMENT PLANT - CLEARWELL

PILE NUMBER	PILE LENGTH	DEPTH PREBORED	FINAL TOP ELEV.	FINAL TIP ELEV.	DES. CUTOFF ELEV.	ACT. CUTOFF ELEV.	PILE PLUMBNESS	FINAL SET			MANUFACTURERS MARKINGS R = RE-DRIVEN
								1 ST SET	2 ND SET	3 RD SET	
680	16	3.4	231.421	215.421			✓	11	3	02	4012, Aug 24.05
691	16	3.2	231.235	215.235			✓	15	9	05	4011, "
679	16	3.2	231.183	215.183			✓	16	13	04	4021, "
678	16	3.4	231.233	215.233			✓	17	14	07	4004, "
694	16	3.2	229.637	215.439			✓	19	15	09	4026, "
* 687	16	3.3	229.943	215.704			✓	3	0	0	4018, "

* FOLLOWER USED, REFUSAL CRITERIA INCREASED 50%.

PILE #

COMMENTS

2:33	standing piles & driving last "H" beam, 6:42 ^{AM} HAMMERING
6:50	sitting (waiting for crane operator) 7:20 Todd says that's it.
* # 687	stopped dead.

THE CITY OF WINNIPEG - WATER TREATMENT PLANT - CLEARWELL

PILE NUMBER	PILE LENGTH	DEPTH PREBORED	FINAL TOP ELEV.	FINAL TIP ELEV.	DES. CUTOFF ELEV.	ACT. CUTOFF ELEV.	PILE PLUMBNESS	FINAL SET			MANUFACTURERS MARKINGS R = RE-DRIVEN
								1 ST SET	2 ND SET	3 RD SET	
769	16	3.2	229.937	215.775			✓	11	08	04	3393, Aug 23.05
686	16	3.2	229.990	215.808			✓	15	09	02	3373, "
688	16	3.3	231.398	215.398			✓	17	10	03	4045, Aug 25.05
685	16	3.2	231.568	215.568			✓	19	11	07	4014, Aug. 24.05
1128	16	3.2	231.533	215.533			✓	19	17	15	4028, "
684	16	3.3	231.514	215.514			✓	23	19	17	4027, "
683	16	3.3	229.814	215.743			✓	21	17	11	3372, Aug. 23.05
682	16	3.2	231.715	215.715			✓	23	23	17	4023, Aug 24.05
681	16	3.2					✓	21	17	10	4011, "
772	17	3.2	232.713	215.713			✓	20	15	09	997, May 19.05

• FOLLOWER USED, REFUSAL CRITERIA INCREASED 50%.

PILE #	COMMENTS
	7:20 Hammering, 8:30 waiting for standup & pre-boring,
	9:40 Hammering,

INSPECTOR:



A Tyco International Ltd. Company

PILE DRIVING RECORDS

DATE:

Sept 08. 05

THE CITY OF WINNIPEG - WATER TREATMENT PLANT - CLEARWELL

PILE NUMBER	PILE LENGTH	DEPTH PREBORED	FINAL TOP ELEV.	FINAL TIP ELEV.	DES. CUTOFF ELEV.	ACT. CUTOFF ELEV.	PILE PLUMBNESS	FINAL SET			MANUFACTURERS MARKINGS R = RE-DRIVEN
								1 ST SET	2 ND SET	3 RD SET	
770	16	3.3	231.730	215.730			✓	21	17	13	4015, Aug 24.05
798	16	3.3	231.807	215.807			✓	20	10	05	4028, "
773	17	3.4	232.715	215.715			✓	17	11	07	995, May 19.05
774	17	3.3	232.643	215.643			✓	19	13	06	970, "
775	17	3.4	232.603	215.603			✓	16	12	06	969, May 18.05
797	16	3.4	231.654	215.654			✓	19	15	11	4036, Aug 25.05
796	16	3.4	231.650	215.650			✓	17	9	04	4030, "
795	16	3.3	231.646	215.646			✓	20	11	05	4037, "
794	16	3.3	231.711	215.711			✓	14	09	03	4036, "
776	17	3.3	232.570	215.570			✓	12	04	02	993, May 19.05

• FOLLOWER USED, REFUSAL CRITERIA INCREASED 50%.

PILE #	COMMENTS
10:25	waiting for stand-up. 11:05 Hammering.

INSPECTOR:



A Tyco International Ltd. Company

PILE DRIVING RECORDS

DATE:

Sept 08.05

THE CITY OF WINNIPEG - WATER TREATMENT PLANT - CLEARWELL

PILE NUMBER	PILE LENGTH	DEPTH PREBORED	FINAL TOP ELEV.	FINAL TIP ELEV.	DES. CUTOFF ELEV.	ACT. CUTOFF ELEV.	PILE PLUMBNESS	FINAL SET			MANUFACTURERS MARKINGS R = RE-DRIVEN
								1 ST SET	2 ND SET	3 RD SET	
777	17	3.2	232.592	215.592			✓	11	03	01	979, May 18.05
778	17	3.3	232.538	215.538			✓	14	07	03	998, "
793	16	3.3	231.545	215.545			✓	16	13	04	4033, Aug 25.05
792	16	3.3	231.470	215.470			✓	19	11	09	4035, "
779	17	3.3	232.575	215.575			✓	17	12	10	996, May 19.05
791	16	3.2	231.429	215.429			✓	13	09	03	4031, Aug 25.05
790	16	3.3	231.430	215.430			✓	11	07	05	NA, "
789	16	3.3	231.402	215.402			✓	14	09	03	4029, "
788	16	3.2	231.400	215.400			✓	14	06	05	4042, "
787	16	3.3	231.286	215.286			✓	12	07	02	4041, "

• FOLLOWER USED, REFUSAL CRITERIA INCREASED 50%.

PILE #	COMMENTS
	12:05 Lunch, 12:49 Hammering,

INSPECTOR:

THE CITY OF WINNIPEG - WATER TREATMENT PLANT - CLEARWELL

PILE NUMBER	PILE LENGTH	DEPTH PREBORED	FINAL TOP ELEV.	FINAL TIP ELEV.	DES. CUTOFF ELEV.	ACT. CUTOFF ELEV.	PILE PLUMBNESS	FINAL SET			MANUFACTURERS MARKINGS R = RE-DRIVEN
								1 ST SET	2 ND SET	3 RD SET	
786	16	3.3	231.365	215.365			✓	17	11	06	4034, Aug 25.05
780	17	3.3	231.306	214.306			✓	21	20	19	1019, May 20.05
* 781	17	3.3	229.908	212.908			✓	23	22	21	989, May 19.05
782	18	3.3	233.328	215.328			✓	23	20	19	69, Jan 21, 05
1044	17	4.0					✓	24	19	18	994, May 19.05
* 1043	17	4.2	NO	REFUSAL			✓				NA
1042	17	4.2					✓	23	22	22	991, "
1031	17	4.3					✓	23	20	17	NA
1041	17	4.3					✓	24	20	19	990, "
1040	17	4.3					✓				1014, May 20.05

* FOLLOWER USED, REFUSAL CRITERIA INCREASED 50%.

PILE #

COMMENTS

2:39	waiting for piles & moving to E. side @ Bird's request.
4:00	Hammering

THE CITY OF WINNIPEG - WATER TREATMENT PLANT - CLEARWELL

PILE NUMBER	PILE LENGTH	DEPTH PREBORED	FINAL TOP ELEV.	FINAL TIP ELEV.	DES. CUTOFF ELEV.	ACT. CUTOFF ELEV.	PILE PLUMBNESS	FINAL SET			MANUFACTURERS MARKINGS R = RE-DRIVEN
								1 ST SET	2 ND SET	3 RD SET	
1001	17	4.2					✓	23	19	13	1010, May 20.05
1002	17	4.3					✓	21	17	11	1009, "
990	17	4.3					✓	21	19	17	1015, "
1043A	18	4.4					✓	24	23	21	
783	17	3.5 3.5	232.252	215.252			✓	07	04	03	1030, May 25.05
784	17	3.5	232.279	215.279		✓	2% 2%	05	02	0	1018, May 20.05
785	17	3.4	232.262	215.262			2% E	11	09	05	1038, May 24.05
1098	17	3.5	232.456	215.456			✓	23	22	21	1032, "
1097	17	3.5	232.298	215.298			2% E	21	20	18	1017, May 20.05
1096	17	3.5	232.303	215.303			✓	23	17	11	1013, "

• FOLLOWER USED, REFUSAL CRITERIA INCREASED 50%.

PILE #	COMMENTS
	7:20 Hammering, 8:00 waiting for piles, 9:25 standing piles, 11:07 Hammering 12:23 lunch, 12:57 Hammering.
	#784 stopped dead

INSPECTOR:

THE CITY OF WINNIPEG - WATER TREATMENT PLANT - CLEARWELL

PILE NUMBER	PILE LENGTH	DEPTH PREBORED	FINAL TOP ELEV.	FINAL TIP ELEV.	DES. CUTOFF ELEV.	ACT. CUTOFF ELEV.	PILE PLUMBNESS	FINAL SET			MANUFACTURERS MARKINGS R = RE-DRIVEN
								1 ST SET	2 ND SET	3 RD SET	
900	17	4.3	232.146	215.146			✓	20	17	15	1076, May 26.05
899	17	4.4	232.287	215.287			✓	21	19	15	1050, May 25.05
* 898	17	4.3	229.946	212.946			✓	23	20	17	1052, "
897	17	4.4	232.216	215.216			✓	23	21	20	1029, May 24.05
869	17	4.4	232.275	215.275			✓	24	23	21	1070, May 05,
501	17	4.4	232.216	215.216			✓	23	22	19	1069, May 26.05
357	17	4.4	232.431	215.431			✓	23	20	19	1072, "
491	17	4.3	232.133	215.133			✓	24	20	19	1073, "
500	17	4.4	232.511	215.511			✓	21	17	15	1071, "
498	17	4.3	232.590	215.590			✓	20	17	16	1077, "

* FOLLOWER USED, REFUSAL CRITERIA INCREASED 50%.

PILE #

COMMENTS

7:20 Hammering,



A Tyco International Ltd. Company

PILE DRIVING RECORDS

DATE: Sept. 12.05

THE CITY OF WINNIPEG - WATER TREATMENT PLANT - CLEARWELL

PILE NUMBER	PILE LENGTH	DEPTH PREBORED	FINAL TOP ELEV.	FINAL TIP ELEV.	DES. CUTOFF ELEV.	ACT. CUTOFF ELEV.	PILE PLUMBNESS	FINAL SET			MANUFACTURERS MARKINGS R = RE-DRIVEN
								1 ST SET	2 ND SET	3 RD SET	
358	17	4.3	232.661 232.534	215.661 215.534			✓	20	17	11	1078, May 26, 05
359	17	4.3	232.534	215.534			✓	21	16	14	1075, "
903	17	4.4	232.010	215.010			✓	24	22	19	1097, May 27, 05
940	17	4.3	232.934	215.934			✓	23	20	17	1093, "
939	17	4.3	232.275	215.275			✓	21	20	17	1098, "
938	17	4.4	232.562	215.562			✓	24	21	18	1114, May 30, 05
937	17	4.4	231.481	214.481			✓	23	11	09	1057, May 24, 05
904	17	4.3	231.889	214.889			✓	24	20	17	1045, "
943	17	4.3	231.460	214.460			✓	23	17	14	1051, "
942	17	4.2	231.183	214.183			✓	24	23	23	1091, May 27, 05

• FOLLOWER USED, REFUSAL CRITERIA INCREASED 50%.

PILE #	COMMENTS

INSPECTOR:



A Tyco International Ltd. Company

PILE DRIVING RECORDS

DATE: *Sept. 12. 05*

THE CITY OF WINNIPEG - WATER TREATMENT PLANT - CLEARWELL

PILE NUMBER	PILE LENGTH	DEPTH PREBORED	FINAL TOP ELEV.	FINAL TIP ELEV.	DES. CUTOFF ELEV.	ACT. CUTOFF ELEV.	PILE PLUMBNESS	FINAL SET			MANUFACTURERS MARKINGS R = RE-DRIVEN
								1 ST SET	2 ND SET	3 RD SET	
979	17	4.3	231.866	214.866			✓	24	22	20	1036, May 24. 05
978	17	4.4	231.784	214.784			✓	23	20	17	1111, May, 30, 05
977	17	4.2	231.690	215.690			✓	21	17	15	1035, May 25. 05
976	17	4.3	231.858	215.858			✓	20	16	14	1074, May 26. 05
)
)
)
)
)
)

• FOLLOWER USED, REFUSAL CRITERIA INCREASED 50%.

PILE #	COMMENTS
	12:13 lunch, Dead man piles in the afternoon

INSPECTOR:



A Tyco International Ltd. Company

PILE DRIVING RECORDS

DATE:

Sept. 13, 05

THE CITY OF WINNIPEG - WATER TREATMENT PLANT - CLEARWELL

PILE NUMBER	PILE LENGTH	DEPTH PREBORED	FINAL TOP ELEV.	FINAL TIP ELEV.	DES. CUTOFF ELEV.	ACT. CUTOFF ELEV.	PILE PLUMBNESS	FINAL SET			MANUFACTURERS MARKINGS R = RE-DRIVEN
								1 ST SET	2 ND SET	3 RD SET	
218	17	4.4	232.128	215.128			✓	21	19	18	1109, May 30, 05
219	17	4.3	231.968	214.968			✓	20	17	15	1112, "
220	17	4.3	231.899	214.899			✓	21	13	09	1110, "
253	17	4.3	231.922	214.922			✓	20	15	11	1117, "
222	17	4.2	232.070	215.070			✓	19	15	13	1644, June 24, 05

• FOLLOWER USED, REFUSAL CRITERIA INCREASED 50%.

PILE #

COMMENTS

Pre-boring, 10:45 Hammering, 11:05 Gone to deadman piles in S.W. corner

INSPECTOR:



A Tyco International Ltd. Company

PILE DRIVING RECORDS

DATE:

Sept 14. 05

THE CITY OF WINNIPEG - WATER TREATMENT PLANT - CLEARWELL

PILE NUMBER	PILE LENGTH	DEPTH PREBORED	FINAL TOP ELEV.	FINAL TIP ELEV.	DES. CUTOFF ELEV.	ACT. CUTOFF ELEV.	PILE PLUMBNESS	FINAL SET			MANUFACTURERS MARKINGS R = RE-DRIVEN
								1 ST SET	2 ND SET	3 RD SET	
231	17	4.3	232.072	215.072			✓	21	19	16	1040, May 27, 05
233	17	4.2	232.008	215.008			✓	23	21	19	1116, May 30, 05
232	17	4.2	231.898	214.898			✓	22	20	18	
234	17	4.2	231.823	214.823			✓	23	21	19	1095, May 27, 05
246	17	4.3	232.138	215.138			✓	20	17	16	1649, June 24, 05
591	17	4.3	232.081	215.081			✓	21	18	15	1647, "
593	17	4.3	232.079	215.079			✓	20	19	14	1643, "
592	17	4.3	231.967	214.967			✓	19	17	11	1526, "
598	17	4.3	232.135 232.094	215.135 215.094			✓	21	17	16	1646, "
569	17	4.3	231.397	214.397			✓	21	20	19	1640, June 24, 05

• FOLLOWER USED, REFUSAL CRITERIA INCREASED 50%.

PILE #	COMMENTS

INSPECTOR:

THE CITY OF WINNIPEG - WATER TREATMENT PLANT - CLEARWELL

PILE NUMBER	PILE LENGTH	DEPTH PREBORED	FINAL TOP ELEV.	FINAL TIP ELEV.	DES. CUTOFF ELEV.	ACT. CUTOFF ELEV.	PILE PLUMBNESS	FINAL SET			MANUFACTURERS MARKINGS R = RE-DRIVEN
								1 ST SET	2 ND SET	3 RD SET	
245	17	4.2	230.952	213.952			✓	21	19	17	1648, June 24, 05
235	17	4.3	231.350	214.350			✓	23	18	13	1647, "
237	17	4.2	231.227	214.227			✓	22	17	15	1642, "
238	17	4.2	231.463	214.463			✓	20	18	14	1645, "
248	17	4.3	232.193	215.193			✓	21	17	13	1616, June 23, 05
249	17	4.3	232.101	215.101			✓	20	16	14	1590, "
230	17	4.3	231.631	214.631			✓	21	17	15	NA, "
227	17	4.2	231.973	214.973			✓	23	19	17	1589, "
229	17	4.3	232.130	215.130			✓	20	19	14	1611, June 23, 05
250	17	4.3	231.954	214.954			✓	19	17	15	1588, "

• FOLLOWER USED, REFUSAL CRITERIA INCREASED 50%.

PILE #

COMMENTS

2:20 standing, 3:00 Hammering,



A Tyco International Ltd. Company

PILE DRIVING RECORDS

DATE:

Sept 14, 05.

THE CITY OF WINNIPEG - WATER TREATMENT PLANT - CLEARWELL

PILE NUMBER	PILE LENGTH	DEPTH PREBORED	FINAL TOP ELEV.	FINAL TIP ELEV.	DES. CUTOFF ELEV.	ACT. CUTOFF ELEV.	PILE PLUMBNESS	FINAL SET			MANUFACTURERS MARKINGS R = RE-DRIVEN
								1 ST SET	2 ND SET	3 RD SET	
228	17	4.2	232.095	215.095			✓	21	19	12	1594, June 23, 05
226	17	4.3	231.851	214.851			✓	20	16	10	1593, June 23, 05
251	17	4.2	232.234	215.234			✓	23	22	21	1118, May 30, 06
225	17	4.3	231.870	214.870			✓	23	21	20	1089, May 27, 05
223	17	4.2	231.878	214.878			✓	24	19	17	1585, June 23, 05
224	17	4.3	231.954	214.954			✓	21	11	09	1641, June 24, 05
578	17	4.2	231.092	214.092			✓	24	20	17	1531, June 21, 05
577	17	4.3	231.868	214.868			✓	11	07	05	1530, "
221	17	3.2					✓	17	15	10	1529, "
252	17	3.3	231.909	214.909			✓	19	16	13	1587, June 23, 05

• FOLLOWER USED, REFUSAL CRITERIA INCREASED 50%.

PILE #	COMMENTS

INSPECTOR:



A Tyco International Ltd. Company

PILE DRIVING RECORDS

DATE: Sept. 14, 05

THE CITY OF WINNIPEG - WATER TREATMENT PLANT - CLEARWELL

PILE NUMBER	PILE LENGTH	DEPTH PREBORED	FINAL TOP ELEV.	FINAL TIP ELEV.	DES. CUTOFF ELEV.	ACT. CUTOFF ELEV.	PILE PLUMBNESS	FINAL SET			MANUFACTURERS MARKINGS R = RE-DRIVEN
								1 ST SET	2 ND SET	3 RD SET	
576	17	3.3	232.071	215.071			✓	20	19	14	1556, June 22, 05
579	17	3.2	231.667	215.667			✓	21	18	13	1581, "
* 581	17	3.3	229.491	212.491			✓	23	23	21	1553, "
580	17	3.3					✓	21	19	17	1559, "
575	17	3.3	231.749	214.749			✓	23	22	20	1582, "
582	17	3.2	232.021	215.021			✓	23	20	19	1615, June 23, 05
574	17	3.3	231.848	214.848			✓	22	19	17	1054, May 25, 02
583	17	3.3					✓	22	17	16	1094, May 27, 02
585	17	3.2	231.823	214.823			✓	22	16	15	1049, May 25, 02
584	17	3.3					✓	23	19	14	1092, May 27, 05

* FOLLOWER USED, REFUSAL CRITERIA INCREASED 50%.

PILE #

COMMENTS

INSPECTOR:



A Tyco International Ltd. Company

PILE DRIVING RECORDS

DATE: Sept. 15, 05

THE CITY OF WINNIPEG - WATER TREATMENT PLANT - CLEARWELL

PILE NUMBER	PILE LENGTH	DEPTH PREBORED	FINAL TOP ELEV.	FINAL TIP ELEV.	DES. CUTOFF ELEV.	ACT. CUTOFF ELEV.	PILE PLUMBNESS	FINAL SET			MANUFACTURERS MARKINGS R = RE-DRIVEN
								1 ST SET	2 ND SET	3 RD SET	
573	17	4.0	231.937	214.937			✓	21	17	16	1113, May 30, 05
586	17	3.3					✓	20	18	15	1115, "
572	17	3.3	232.252	215.252			✓	21	19	16	1537, June 21, 05
587	17	3.3					✓	23	17	14	1586, June 22, 05
589	17	3.2	232.488	215.488			✓	20	05	0	1583, "
588	17	3.3					✓	21	03	0	1614, June 23, 05
571	17	3.2	232.349	215.349			✓	13	05	0	1557, June 22, 05
247	17	3.2	232.095	215.095			✓	18	14	07	1554, "
590	17	3.3	232.436	215.436			✓	11	06	0	1580, "
570	17	3.2	232.053	215.053			✓	14	09	06	1556, "

• FOLLOWER USED, REFUSAL CRITERIA INCREASED 50%.

PILE #	COMMENTS
588, 589, 571,	stopped dead. 9:45 waiting for lay-out.

INSPECTOR:



A Tyco International Ltd. Company

PILE DRIVING RECORDS

DATE:

Sept 16, 05

THE CITY OF WINNIPEG - WATER TREATMENT PLANT - CLEARWELL

PILE NUMBER	PILE LENGTH	DEPTH PREBORED	FINAL TOP ELEV.	FINAL TIP ELEV.	DES. CUTOFF ELEV.	ACT. CUTOFF ELEV.	PILE PLUMBNESS	FINAL SET			MANUFACTURERS MARKINGS R = RE-DRIVEN
								1 ST SET	2 ND SET	3 RD SET	
657	17	4.0	232.495	215.495			✓	13	02	0	1535, June 21, 05
654	17	3.8	232.570	215.570			✓	15	02	0	1548, "
642	17	3.3	232.466	215.466			✓	17	07	02	1533, "
644	17	3.3	232.438	215.438			✓	19	17	05	1521, "
643	17	3.2	232.470	215.470			✓	21	13	11	NA, "
653	17	3.3					✓	19	16	10	1532, "
652	17	3.3	232.441	215.441			✓	19	17	10	NA, "
647 646	17	3.3	232.446	215.446			✓	20	15	12	1528, "
632	17	3.2	232.412	215.412			✓	18	11	05	NA, June 22, 05
617	17	3.3	232.588	215.588			✓	03	0	0	1526, June 21, 05

• FOLLOWER USED, REFUSAL CRITERIA INCREASED 50%.

PILE #	COMMENTS
#657, #654	

INSPECTOR:



A Tyco International Ltd. Company

PILE DRIVING RECORDS

DATE:

Sept. 16. 05

THE CITY OF WINNIPEG - WATER TREATMENT PLANT - CLEARWELL

PILE NUMBER	PILE LENGTH	DEPTH PREBORED	FINAL TOP ELEV.	FINAL TIP ELEV.	DES. CUTOFF ELEV.	ACT. CUTOFF ELEV.	PILE PLUMBNESS	FINAL SET			MANUFACTURERS MARKINGS R = RE-DRIVEN
								1 ST SET	2 ND SET	3 RD SET	
606	17	3.2	232.574	215.574			✓	21	16	09	NA, June 22.05
615	17	4.3	232.577	215.577			✓	20	05	03	NA, June 21.05
616	17	4.5	232.686	215.686			✓	21	23	20	NA, "
627	17	4.0	232.534	215.534			✓	05	0	0	1549, "
614	17	4.2	232.494	215.494			✓	20	17	15	NA, June 22.05
607	17	4.0	232.523	215.523			✓	19	13	07	NA, "
656	17	4.6	232.438	215.438			✓	22	15	12	1497, June 20.05
727	17	4.2	232.422	215.422			✓	21	17	13	1517, June 21.05
763	17	4.0	232.475	215.475			✓	24	16	06	1496, June 20.05
764	17	3.6	232.499	215.499			✓	21	20	18	NA, "

• FOLLOWER USED, REFUSAL CRITERIA INCREASED 50%.

PILE #	COMMENTS
# 627,	

INSPECTOR:

THE CITY OF WINNIPEG - WATER TREATMENT PLANT - CLEARWELL

PILE NUMBER	PILE LENGTH	DEPTH PREBORED	FINAL TOP ELEV.	FINAL TIP ELEV.	DES. CUTOFF ELEV.	ACT. CUTOFF ELEV.	PILE PLUMBNESS	FINAL SET			MANUFACTURERS MARKINGS R = RE-DRIVEN
								1 ST SET	2 ND SET	3 RD SET	
730	17	4.5					✓	21	03	0	1486, June 20, 05
729	17	4.0					✓	20	17	15	1485, "
655	17	4.1	232.651	215.651			✓	13	0	0	NA, "
728	17	3.6					✓	10	0	0	NA, "
762	17	4.0	232.581	215.581			✓	11	04	01	1520, June 21, 05
638	17	4.4					✓	5	0	0	1503, June 20, 05
640	17	3.2	232.588	215.588			✓	14	03	02	NA, "
* 639	17	3.4	229.513	212.513			✓	21	20	19	NA, "
618	17	3.2					✓	03	0	0	NA, "
633	17	4.2	232.438	215.438			✓	13	07	01	1491, "

* FOLLOWER USED, REFUSAL CRITERIA INCREASED 50%.

PILE #	COMMENTS
#730, #655, #728, #638, #618	

THE CITY OF WINNIPEG - WATER TREATMENT PLANT - CLEARWELL

PILE NUMBER	PILE LENGTH	DEPTH PREBORED	FINAL TOP ELEV.	FINAL TIP ELEV.	DES. CUTOFF ELEV.	ACT. CUTOFF ELEV.	PILE PLUMBNESS	FINAL SET			MANUFACTURERS MARKINGS R = RE-DRIVEN
								1 ST SET	2 ND SET	3 RD SET	
641	17	4.2	232.496	215.496			✓	20	11	07	<i>June 20.05</i>

• FOLLOWER USED, REFUSAL CRITERIA INCREASED 50%.

PILE #	COMMENTS

INSPECTOR:

THE CITY OF WINNIPEG - WATER TREATMENT PLANT - CLEARWELL

PILE NUMBER	PILE LENGTH	DEPTH PREBORED	FINAL TOP ELEV.	FINAL TIP ELEV.	DES. CUTOFF ELEV.	ACT. CUTOFF ELEV.	PILE PLUMBNESS	FINAL SET			MANUFACTURERS MARKINGS R = RE-DRIVEN
								1 ST SET	2 ND SET	3 RD SET	
637	17	3.5					✓	11	02	0	NA, June 17.05
625	17	3.5	232.160	215.160			✓	23	19	15	1498, June 20.05
624	17	3.5	232.265	215.265			✓	21	18	14	NA, June 17.05
623	17	3.5					✓	23	21	20	1502, June 20.05
622	17	3.5					✓	19	22	05	1523, June 21.05
634	17	3.5	232.385	215.385			✓	20	17	13	1519, J "
621	17	3.5					✓	23	19	15	1527, "
619	17	3.5	232.438 ³⁸¹	215.438 ³⁸¹			✓	21	11	07	1629, "
602	17	3.5	more pile to		sept. 21 ST		✓				

• FOLLOWER USED, REFUSAL CRITERIA INCREASED 50%.

PILE #	COMMENTS
#637	stopped dead.

THE CITY OF WINNIPEG - WATER TREATMENT PLANT - CLEARWELL

PILE NUMBER	PILE LENGTH	DEPTH PREBORED	FINAL TOP ELEV.	FINAL TIP ELEV.	DES. CUTOFF ELEV.	ACT. CUTOFF ELEV.	PILE PLUMBNESS	FINAL SET			MANUFACTURERS MARKINGS R = RE-DRIVEN
								1 ST SET	2 ND SET	3 RD SET	
* 604	17	3.5					✓	09	07	03	NA, June 17.05
602	17	3.5	232.032	215.032			✓	23	22	21	1470, "
603	17	3.5	232.090	215.090			✓	21	17	09	NA, "
733	17	3.4	232.464	215.464			✓	05	02	0	1468, "
636	17	3.5					✓	09	10	03	1484, "
635	17	3.5					✓	17	14	06	1491, "
626	17	3.5	232.391	215.391			✓	15	02	0	NA, "
601	17	3.4	232.253	215.253			✓	13	11	04	1493, "
736	17	3.4	232.119	215.119			✓	23	22	22	1494, "
760	17	3.3	232.606	215.606			✓	21	11	03	1465, "

* FOLLOWER USED, REFUSAL CRITERIA INCREASED 50%.

PILE #	COMMENTS
# 604	started on Sept. 20, due to shiv troubles couldn't be completed.
	9:00 re-driving & driving 9:30 standing piles & drilling.
	1:00 Hammering
# 733, # 626,	

INSPECTOR:



A Tyco International Ltd. Company

PILE DRIVING RECORDS

DATE:

Sept. 21.05

THE CITY OF WINNIPEG - WATER TREATMENT PLANT - CLEARWELL

PILE NUMBER	PILE LENGTH	DEPTH PREBORED	FINAL TOP ELEV.	FINAL TIP ELEV.	DES. CUTOFF ELEV.	ACT. CUTOFF ELEV.	PILE PLUMBNESS	FINAL SET			MANUFACTURERS MARKINGS R = RE-DRIVEN
								1 ST SET	2 ND SET	3 RD SET	
761	17	3.4	232.540	215.540			✓				1467, June 17.05
759	17	3.2	232.610	215.610			✓				1421, June 15.05
758	17	3.3	232.368	215.368			2%w				1443, "
757	17	3.3	232.391	215.391			✓				1423, "
732	17	3.3					✓				1463, June 17.05
731	17	3.2					✓				1462, "
734	17	3.3	232.490	215.490			✓				1455, June 16.05
735	17	3.2	232.207	215.207			✓				1451, "
737	17	3.2	232.119	215.119			✓				1450, "
749	17	3.2	231.955	214.955			✓	21	15	11	NA, June 17.05

- FOLLOWER USED, REFUSAL CRITERIA INCREASED 50%.

PILE #	COMMENTS
# 731	stopped dead.

INSPECTOR:



A Tyco International Ltd. Company

PILE DRIVING RECORDS

DATE: *Sept. 21.05*

THE CITY OF WINNIPEG - WATER TREATMENT PLANT - CLEARWELL

PILE NUMBER	PILE LENGTH	DEPTH PREBORED	FINAL TOP ELEV.	FINAL TIP ELEV.	DES. CUTOFF ELEV.	ACT. CUTOFF ELEV.	PILE PLUMBNESS	FINAL SET			MANUFACTURERS MARKINGS R = RE-DRIVEN
								1 ST SET	2 ND SET	3 RD SET	
738	17	3.3	231.833	214.833			✓	23	22	19	1464, June 17.05
600	"	3.2	232.013	215.013			✓	23	21	15	1453, June 16.05
739	"	3.2	231.826	214.826			✓	21	20	13	1466, June 17.05
599	"	3.3	231.950	215.950			✓	23	22	21	NA
740	"	3.2					✓	24	22	19	1447, June 17.05
741	"	3.3	231.939	214.939			✓	23	22	21	1449, "

• FOLLOWER USED, REFUSAL CRITERIA INCREASED 50%.

PILE #	COMMENTS

INSPECTOR:

THE CITY OF WINNIPEG - WATER TREATMENT PLANT - CLEARWELL

PILE NUMBER	PILE LENGTH	DEPTH PREBORED	FINAL TOP ELEV.	FINAL TIP ELEV.	DES. CUTOFF ELEV.	ACT. CUTOFF ELEV.	PILE PLUMBNESS	FINAL SET			MANUFACTURERS MARKINGS R = RE-DRIVEN
								1 ST SET	2 ND SET	3 RD SET	
850	17	3.2	232.264	215.264			1/2%	23	17	15	1417, June 15.05
851	17	3.3	232.288	215.288			1/2%	21	16	15	1415, June 14.05
852	17	3.3	232.216	215.216			✓	19	18	17	1411, "
853	17	3.2	232.255	215.255			✓	23	23	21	1419, June 15.05
854	17	3.2	232.115	215.115			✓	21	20	19	NA, "
856	17	3.3	232.328	215.328			✓				NA,

• FOLLOWER USED, REFUSAL CRITERIA INCREASED 50%.

PILE #	COMMENTS
#s 851, 852, 853, 854 & 856	pile strands sticking out beyond end of piles. As a result piles are breaking when hammering. Top 1-1.5M of piles fractures. All other piles on site are rejected. Present to sort-out problem with Con-force.



A Tyco International Ltd. Company

PILE DRIVING RECORDS

DATE:

Sept. 23, 05

THE CITY OF WINNIPEG - WATER TREATMENT PLANT - CLEARWELL

PILE NUMBER	PILE LENGTH	DEPTH PREBORED	FINAL TOP ELEV.	FINAL TIP ELEV.	DES. CUTOFF ELEV.	ACT. CUTOFF ELEV.	PILE PLUMBNESS	FINAL SET			MANUFACTURERS MARKINGS R = RE-DRIVEN
								1 ST SET	2 ND SET	3 RD SET	
747	17	4.4	232.444	215.484			✓	23	21	20	1357 June 13, 05
745	"	4.3					✓	21	08	02	NA June 12, 05
744	"	4.4	231.987	214.987			✓	19	16	07	NA June 10, 05
742	"	4.4	231.977	214.977			✓	24	23	21	1360 June 13, 05
867	"	4.3	231.892	214.892			✓	21	17	15	1370 "
868	"	4.3					✓	23	21	14	1390 June 14, 05
743	"	4.5	232.107	215.107			✓	22	20	14	1364 June 13, 05
254	"	4.5	232.056	215.056			✓	22	20	17	1415 June 15, 05
255	"	4.2	231.900	214.900			✓	21	19	15	1357 "
864	"	4.2	231.979	214.979			✓	20	17	13	1352

• FOLLOWER USED, REFUSAL CRITERIA INCREASED 50%.

PILE #

COMMENTS

PILE #	COMMENTS

INSPECTOR:



A Tyco International Ltd. Company

PILE DRIVING RECORDS

DATE: Sept. 24, 05

THE CITY OF WINNIPEG - WATER TREATMENT PLANT - CLEARWELL

PILE NUMBER	PILE LENGTH	DEPTH PREBORED	FINAL TOP ELEV.	FINAL TIP ELEV.	DES. CUTOFF ELEV.	ACT. CUTOFF ELEV.	PILE PLUMBNESS	FINAL SET			MANUFACTURERS MARKINGS R = RE-DRIVEN
								1 ST SET	2 ND SET	3 RD SET	
941	17	3.5	232.426	215.426			✓	19	16	11	1233 July 7, 05
859	17	3.5	231.702	214.702			✓	17	12	6	info down
860	17	3.4	231.890	214.890			✓	17	11	9	1291 June 9, 05
861	17	3.4	231.866	214.866			✓	12	9	7	Info down
863	17	3.5	231.957	214.957			✓	22	7	3	1231 July 7, 05
862	17	3.4	232.078	215.078			✓	19	12	5	

• FOLLOWER USED, REFUSAL CRITERIA INCREASED 50%.

PILE #	COMMENTS
	Start driving @ 10:55 am. / Driving & re-driving

INSPECTOR:



A Tyco International Ltd. Company

PILE DRIVING RECORDS

DATE:

Sept. 26.05

THE CITY OF WINNIPEG - WATER TREATMENT PLANT - CLEARWELL

PILE NUMBER	PILE LENGTH	DEPTH PREBORED	FINAL TOP ELEV.	FINAL TIP ELEV.	DES. CUTOFF ELEV.	ACT. CUTOFF ELEV.	PILE PLUMBNESS	FINAL SET			MANUFACTURERS MARKINGS R = RE-DRIVEN
								1 ST SET	2 ND SET	3 RD SET	
857	17	4.2	232.065	215.065			✓	21	17	14	1334, June 10.05
846	17	4.3	232.270	215.270			✓	23	21	19	1280, June 08.05
981	17	4.3	231.954	214.954			✓	24	23	19	NA, June 12.05
845	17	4.3	232.548	215.548			✓	24	20	21	NA, June 13.05
847	17	4.2	232.310	215.310			✓	23	21	19	1338, June 10.05
848	17	4.4	232.336	215.336			✓	21	19	18	1329, "
980	17	4.2	231.347	214.347			✓	23	21	20	1335, "
858	17	4.3	231.702	214.702			✓	21	17	15	NA, "
840	17	4.2	232.716	215.716			✓	23	21	19	1192, June 06.05
839	17	4.3	232.405	215.405			✓	21	20	17	1299, "

• FOLLOWER USED, REFUSAL CRITERIA INCREASED 50%.

PILE #	COMMENTS
	7:20 Hammering, 7:30 standing, 7:50 Hammering, 10:00 waiting for lay-out

INSPECTOR:

THE CITY OF WINNIPEG - WATER TREATMENT PLANT - CLEARWELL

PILE NUMBER	PILE LENGTH	DEPTH PREBORED	FINAL TOP ELEV.	FINAL TIP ELEV.	DES. CUTOFF ELEV.	ACT. CUTOFF ELEV.	PILE PLUMBNESS	FINAL SET			MANUFACTURERS MARKINGS R = RE-DRIVEN
								1 ST SET	2 ND SET	3 RD SET	
834	17	4.2	232.568	215.568			✓	17	09	02	1938, July 07, 05
837	17	4.3	232.633	215.633			✓	15	03	01	1298, June 09, 05
838	17	4.3	232.737	215.737			✓	05	01	0	1198, June 06, 05
835	17	4.2	232.650	215.650			✓	23	19	02	1297, June 09, 05
836	17	4.3	232.672	215.672			✓	19	15	07	1193, June 06, 05
818	17	4.2	232.665	215.665			✓	17	07	01	1236, June 07, 05
817	17	4.2	232.665	215.665			✓	15	03	0	1189, June 06, 05
167 68 768	17	4.2	232.646	215.646			✓	21	07	05	NA
769	17	4.2	232.668	215.668			✓	20	11	03	1293, June 09, 05
816	17	4.3	232.715	215.715			✓	20	10	06	1295, "

• FOLLOWER USED, REFUSAL CRITERIA INCREASED 50%.

PILE #	COMMENTS
	5:45 HAMMER TIME
	# 838 #817



A Tyco International Ltd. Company

PILE DRIVING RECORDS

DATE:

Sept. 27.05

THE CITY OF WINNIPEG - WATER TREATMENT PLANT - CLEARWELL

PILE NUMBER	PILE LENGTH	DEPTH PREBORED	FINAL TOP ELEV.	FINAL TIP ELEV.	DES. CUTOFF ELEV.	ACT. CUTOFF ELEV.	PILE PLUMBNESS	FINAL SET			MANUFACTURERS MARKINGS R = RE-DRIVEN
								1 ST SET	2 ND SET	3 RD SET	
819	17	4.2	232.630	215.630			✓	23	19	15	1199, Jan 06.05
815	17	4.3	232.628	215.628			✓	21	20	19	1356, Jan. 13.05
813	17	4.2	232.601	215.601			✓	20	07	0	1385, "
800	17	4.2	232.585	215.585			✓	22	19	18	1386, "
814	17	4.0	232.731	215.731			✓	20	17	07	NA
841	16	4.5	231.914	215.914			1 1/2% ✓	20	13	06	4123, Aug 31.05
830	16	4.4	231.663	215.663			✓	20	17	11	4128, "
832	16	4.6	231.657	215.657			✓	17	11	05	4129, "
831	16	4.9	231.630	215.630			✓	19	16	14	4120, "
821	16	4.6	231.539	215.539			✓	17	11	05	4114, Aug 30.05

• FOLLOWER USED, REFUSAL CRITERIA INCREASED 50%.

PILE #	COMMENTS
#	
# 813,	

INSPECTOR:

THE CITY OF WINNIPEG - WATER TREATMENT PLANT - CLEARWELL

PILE NUMBER	PILE LENGTH	DEPTH PREBORED	FINAL TOP ELEV.	FINAL TIP ELEV.	DES. CUTOFF ELEV.	ACT. CUTOFF ELEV.	PILE PLUMBNESS	FINAL SET			MANUFACTURERS MARKINGS R = RE-DRIVEN
								1 ST SET	2 ND SET	3 RD SET	
811	16	4.4	231.562	215.562			✓	23	17	09	1125, Aug 31.05
809	16	4.6	231.502	215.502			✓	21	19	13	4122, "
802	17	4.5	232.395	215.395			✓	19	15	12	1196, June 13.05
810	16	4.5	231.661	215.661			✓	17	13	0	1132, Aug 31.05
812	16	4.2	231.606	215.606			✓	15	08	05	4121, "
801	17	4.4	232.509	215.509			✓	21	15	09	1358, June 13.05
833	16	4.3					✓	20	16	04	NA,
820	16	4.3	231.602	215.602			✓	17	13	07	4130, Aug 31.05
843	16	4.6	231.806	215.806			✓	17	07	0	4118, Aug 30.05
828	16	4.5	231.631	215.631			✓	11	06	0	4117, "

• FOLLOWER USED, REFUSAL CRITERIA INCREASED 50%.

PILE #

COMMENTS

#810, #843, 826 stopped dead

INSPECTOR:



A Tyco International Ltd. Company

PILE DRIVING RECORDS

DATE: Sept. 28, 05

THE CITY OF WINNIPEG - WATER TREATMENT PLANT - CLEARWELL

PILE NUMBER	PILE LENGTH	DEPTH PREBORED	FINAL TOP ELEV.	FINAL TIP ELEV.	DES. CUTOFF ELEV.	ACT. CUTOFF ELEV.	PILE PLUMBNESS	FINAL SET			MANUFACTURERS MARKINGS R = RE-DRIVEN
								1 ST SET	2 ND SET	3 RD SET	
1032 ##	16	4.4	231.529	215.529			✓	13	04	01	4115, Aug 30, 05
1059	16	4.3	231.644	215.644			✓	15	05	02	4126, "
1058	16	4.4	231.437	215.437			✓	16	12	04	4144, "
1060	16	4.2	231.469	215.469			✓	20	17	15	4136, "
824	16	4.2	231.525	215.525			✓	20	15	12	NA, "
1062	16	4.3					✓	22	19	12	4130, "
854	16	4.2	231.367	215.367			✓	23	17	13	4131, "
1018	16	4.2	231.970	215.970			✓	24	15	10	4086, May 25, 05
1017	16	4.3	231.687	215.687			✓	21	19	14	NA, Aug 29, 05
1019	16	4.2	231.784	215.784			✓	18	14	08	4084, May 25, 05

• FOLLOWER USED, REFUSAL CRITERIA INCREASED 50%.

PILE #	COMMENTS

INSPECTOR:



A Tyco International Ltd. Company

PILE DRIVING RECORDS

DATE:

Sept 29, 05

THE CITY OF WINNIPEG - WATER TREATMENT PLANT - CLEARWELL

PILE NUMBER	PILE LENGTH	DEPTH PREBORED	FINAL TOP ELEV.	FINAL TIP ELEV.	DES. CUTOFF ELEV.	ACT. CUTOFF ELEV.	PILE PLUMBNESS	FINAL SET			MANUFACTURERS MARKINGS R = RE-DRIVEN
								1 ST SET	2 ND SET	3 RD SET	
1014	16	4.2	230.724	214.724			✓	20	16	14	4125 , Aug 25, 05
984	16	4.4					✓	22	17	13	4155 , "
983	16	4.3	231.422	215.422			✓	20	20	18	4155 , "
1016	16	4.2	231.287	215.287			✓	21	19	12	4092 , Aug 29, 05
1013	16	4.3	230.641 231.287	214.641 215.487			✓	20	17	15	4091 , "
* 1015	16	4.3					✓	23	22	22	4051 , Aug 25, 05
1025	16	4.4	230.950	214.950			✓	23	20	21	NA , "
1055	16	4.0	230.588	214.588			✓	20	17	16	4095 , "
1054	16	4.4	230.745	214.745			✓	21	20	19	4109 , Aug 30, 05
1056	16	4.2					✓	23	17	08	4093 , Aug 29, 05

* FOLLOWER USED, REFUSAL CRITERIA INCREASED 50%.

PILE #	COMMENTS
	7:35 Hammer Time , 8:45 , Drilling & Standup,

INSPECTOR:



A Tyco International Ltd. Company

PILE DRIVING RECORDS

DATE:

Sept. 29.05

THE CITY OF WINNIPEG - WATER TREATMENT PLANT - CLEARWELL

PILE NUMBER	PILE LENGTH	DEPTH PREBORED	FINAL TOP ELEV.	FINAL TIP ELEV.	DES. CUTOFF ELEV.	ACT. CUTOFF ELEV.	PILE PLUMBNESS	FINAL SET			MANUFACTURERS MARKINGS R = RE-DRIVEN
								1 ST SET	2 ND SET	3 RD SET	
1024	16	4.3	231.413	215.413			✓	20	15	8	4093, Aug 24.05
1057	16	4.2					✓	20	19	13	4095, Aug 30.05
1064	16	4.3					✓	19	17	6	4107, "
1093	16	4.2					✓	22	19	13	4081, Aug 29.05
1063	16	4.2	231.363	215.363			✓	20	17	15	4104, Aug 30.05
1094	16	4.2					✓	21	19	10	4085, Aug 29.05
986	16	4.3					✓	23	19	12	4057, Aug 25.05
985	16	4.4	230.685	214.685			✓	22	20	18	4050, "
987	16	4.8					✓	23	19	11	4051, "
1007	16	4.9					✓	22	20	21	4044, Aug 24.05

• FOLLOWER USED, REFUSAL CRITERIA INCREASED 50%.

PILE #	COMMENTS

INSPECTOR:

THE CITY OF WINNIPEG - WATER TREATMENT PLANT - CLEARWELL

PILE NUMBER	PILE LENGTH	DEPTH PREBORED	FINAL TOP ELEV.	FINAL TIP ELEV.	DES. CUTOFF ELEV.	ACT. CUTOFF ELEV.	PILE PLUMBNESS	FINAL SET			MANUFACTURERS MARKINGS R = RE-DRIVEN
								1 ST SET	2 ND SET	3 RD SET	
1103	16	3.2	231.335	215.335				21	16	10	4077, Aug 26.05
1102	16	3.3	231.278	215.278				23	20	13	NA, "
1101	16	3.2	231.333	215.333				24	19	07	4052, Aug 25.05

• FOLLOWER USED, REFUSAL CRITERIA INCREASED 50%.

PILE #	COMMENTS

INSPECTOR:



A Tyco International Ltd. Company

PILE DRIVING RECORDS

DATE:

Sept. 30. 05

THE CITY OF WINNIPEG - WATER TREATMENT PLANT - CLEARWELL

PILE NUMBER	PILE LENGTH	DEPTH PREBORED	FINAL TOP ELEV.	FINAL TIP ELEV.	DES. CUTOFF ELEV.	ACT. CUTOFF ELEV.	PILE PLUMBNESS	FINAL SET			MANUFACTURERS MARKINGS R = RE-DRIVEN
								1 ST SET	2 ND SET	3 RD SET	
1027	16	3.5					✓	20	17	15	NA , Aug 25. 05
1009	16	3.4					✓	22	19	10	" , "
1010	16	3.2					✓	19	19	15	4039 , "
1011	16	3.2					✓	21	17	13	NA , "
1052	16	3.0					✓	19	16	14	4040 , "
* 1066	16	3.2	NO REFUSAL				✓	-	-	-	4058 , "
1053	16	3.3					✓	21	17	15	4066 , "
1026	16	3.0					✓	20	18	13	4044 , "
1012	16	3.1					✓	23	21	20	4049 , "
1088	16	3.2					✓	21	16	11	4065 , Aug 26. 05

* FOLLOWER USED, REFUSAL CRITERIA INCREASED 50%.

PILE #	COMMENTS

INSPECTOR:



A Tyco International Ltd. Company

PILE DRIVING RECORDS

DATE:

Sept. 30, 05

THE CITY OF WINNIPEG - WATER TREATMENT PLANT - CLEARWELL

PILE NUMBER	PILE LENGTH	DEPTH PREBORED	FINAL TOP ELEV.	FINAL TIP ELEV.	DES. CUTOFF ELEV.	ACT. CUTOFF ELEV.	PILE PLUMBNESS	FINAL SET			MANUFACTURERS MARKINGS R = RE-DRIVEN
								1 ST SET	2 ND SET	3 RD SET	
1059	16	4.0					✓	21	17	14	NA, Aug. 26.05
1065	16	4.2					✓	20	17	16	4062, Aug. 26.05
1106	16	4.2					✓	22	19	13	4068, "
1105	16	4.3	231.053	215.053			✓	19	18	14	4067, "

• FOLLOWER USED, REFUSAL CRITERIA INCREASED 50%.

PILE #	COMMENTS

INSPECTOR:



A Tyco International Ltd. Company

PILE DRIVING RECORDS

DATE:

Oct. 03. 05

THE CITY OF WINNIPEG - WATER TREATMENT PLANT - CLEARWELL

PILE NUMBER	PILE LENGTH	DEPTH PREBORED	FINAL TOP ELEV.	FINAL TIP ELEV.	DES. CUTOFF ELEV.	ACT. CUTOFF ELEV.	PILE PLUMBNESS	FINAL SET			MANUFACTURERS MARKINGS R = RE-DRIVEN
								1 ST SET	2 ND SET	3 RD SET	
1008	16	4.0					✓	21	17	15	NA
1067	16	4.0					1%	23	21	21	4040, Aug 25. 05
1087	16	4.0					✓	21	17	15	4043, "
1110	17	4.2					✓	23	21	19	1197, June 06. 05
1109	17	4.0					✓	21	20	19	1192, "
1108	17	4.2					✓	23	22	20	1191, "
1107	17	4.0					✓	23	20	19	NA
1112	17	4.0					✓	22	21	20	1194
1084	17	4.2					✓	23	21	20	1300, June 09. 05
1111	17	4.0					✓	22	20	18	1190, June 03. 05

• FOLLOWER USED, REFUSAL CRITERIA INCREASED 50%.

PILE #	COMMENTS
	8:55 - HAMMER TIME, 10:55 stop to repair, 1:40 HAMMER TIME

INSPECTOR:



A Tyco International Ltd. Company

PILE DRIVING RECORDS

DATE:

Oct. 03.05

THE CITY OF WINNIPEG - WATER TREATMENT PLANT - CLEARWELL

PILE NUMBER	PILE LENGTH	DEPTH PREBORED	FINAL TOP ELEV.	FINAL TIP ELEV.	DES. CUTOFF ELEV.	ACT. CUTOFF ELEV.	PILE PLUMBNESS	FINAL SET			MANUFACTURERS MARKINGS R = RE-DRIVEN
								1 ST SET	2 ND SET	3 RD SET	
1085	17	4.0					✓	21	19	19	1294, June 09, 05
1049	17	4.2					✓	22	20	21	1196, June 03, 05
1028	17	4.2					✓	23	21	19	1149, "
* 1050	17	4.0					✓	24	23	21	1275, June 08, 05
A 1067A	17	4.0					✓	23	20	15	1173, June 04, 05
A 1066A	18	3.2					✓	24	23	23	18, Jan. 14, NA
1051	17	4.0					✓	23	21	19	NA,
1045	17	4.0					✓	21	19	17	1178, June 04, 05
1082	17	4.2					✓	23	22	23	1278, June 08, 05
1046	17	4.2					✓	23	22	22	1177, June 02, 05

* FOLLOWER USED, REFUSAL CRITERIA INCREASED 50%.

PILE #	COMMENTS

INSPECTOR:



A Tyco International Ltd. Company

PILE DRIVING RECORDS

DATE:

Oct. 04. 05

THE CITY OF WINNIPEG - WATER TREATMENT PLANT - CLEARWELL

PILE NUMBER	PILE LENGTH	DEPTH PREBORED	FINAL TOP ELEV.	FINAL TIP ELEV.	DES. CUTOFF ELEV.	ACT. CUTOFF ELEV.	PILE PLUMBNESS	FINAL SET			MANUFACTURERS MARKINGS R = RE-DRIVEN
								1 ST SET	2 ND SET	3 RD SET	
1070	17	3.2					✓	21	20	18	1172
1116	"	"					✓	20	19	17	1154
1080	"	3.3					✓	24	23	22	1232
1069	"	3.2					1 1/2%	23	22	22	1151
1081	"	3.3					2%	21	19	19	NA
1071	"	3.2					1 3/4%	22	20	17	1272
1077	"	"					1 3/4%	22	20	19	1133
1078	"	"					✓	22	19	15	1174
1178	"	"					✓	23	21	17	1171
1118	"	"					✓	21	20	19	1173

• FOLLOWER USED, REFUSAL CRITERIA INCREASED 50%.

PILE #	COMMENTS
7:40	HAMMER Time, 3:00 ClearWell Piling Completed.

INSPECTOR:

