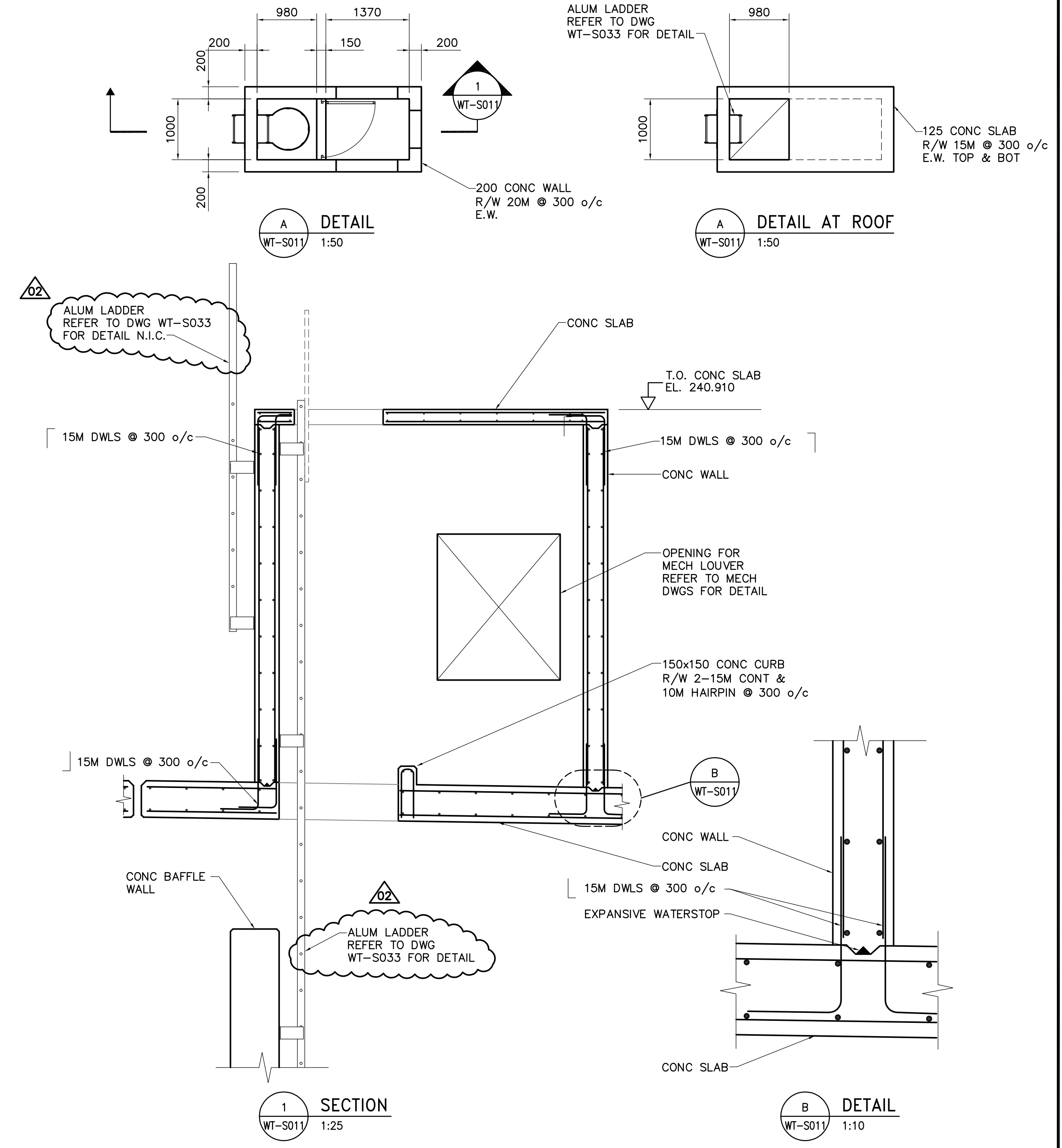


ROOF FRAMING PLAN
1:200



A DETAIL
WT-S011 1:50

A DETAIL AT ROOF
WT-S011 1:50

1 SECTION
WT-S011 1:25

B DETAIL
WT-S011 1:10

DRAWING NOTES:
1. REFER TO DRAWING WT-S033 FOR TYPICAL REINFORCING AROUND OPENINGS.

APEGM
Certificate of Authorization
Earth Tech Canada Inc.
No. 730 Expiry: April 30, 2006

B.M. ELEV.			
DESIGNED BY	FK	CHECKED BY	MK
DRAWN BY	C.T.	APPROVED BY	AHL
HOR. SCALE:	AS NOTED	RELEASED FOR CONSTRUCTION BY:	R. SOROKOWSKI
VERTICAL SCALE:			
NO. REVISIONS	DATE	BY	DATE
02	166-2005 ADDENDUM 2	05/05/12	C.T.
01	166-2005 ADDENDUM 1	05/05/06	C.T.
00	ISSUED FOR TENDER	05/04/17	C.T.
DATE	2005/03/09	DATE	2005-04-17

CH2MHILL
Frederickson Cooper
ARCHITECTS

EarthTech
A Tech International Ltd. Company

ENGINEER'S SEAL
ORIGINAL SIGNED BY
F.A. KEMP
2005/04/17
CONSULTANT DRAWING NO.
WT-S011

THE CITY OF WINNIPEG
WATER AND WASTE DEPARTMENT
ENGINEERING DIVISION

WATER TREATMENT PLANT
CLEARWELL CONSTRUCTION

STRUCTURAL
ROOF FRAMING PLAN

CITY FILE NUMBER
SHEET OF
CITY DRAWING NUMBER
1-060T-A-8001-001-02D