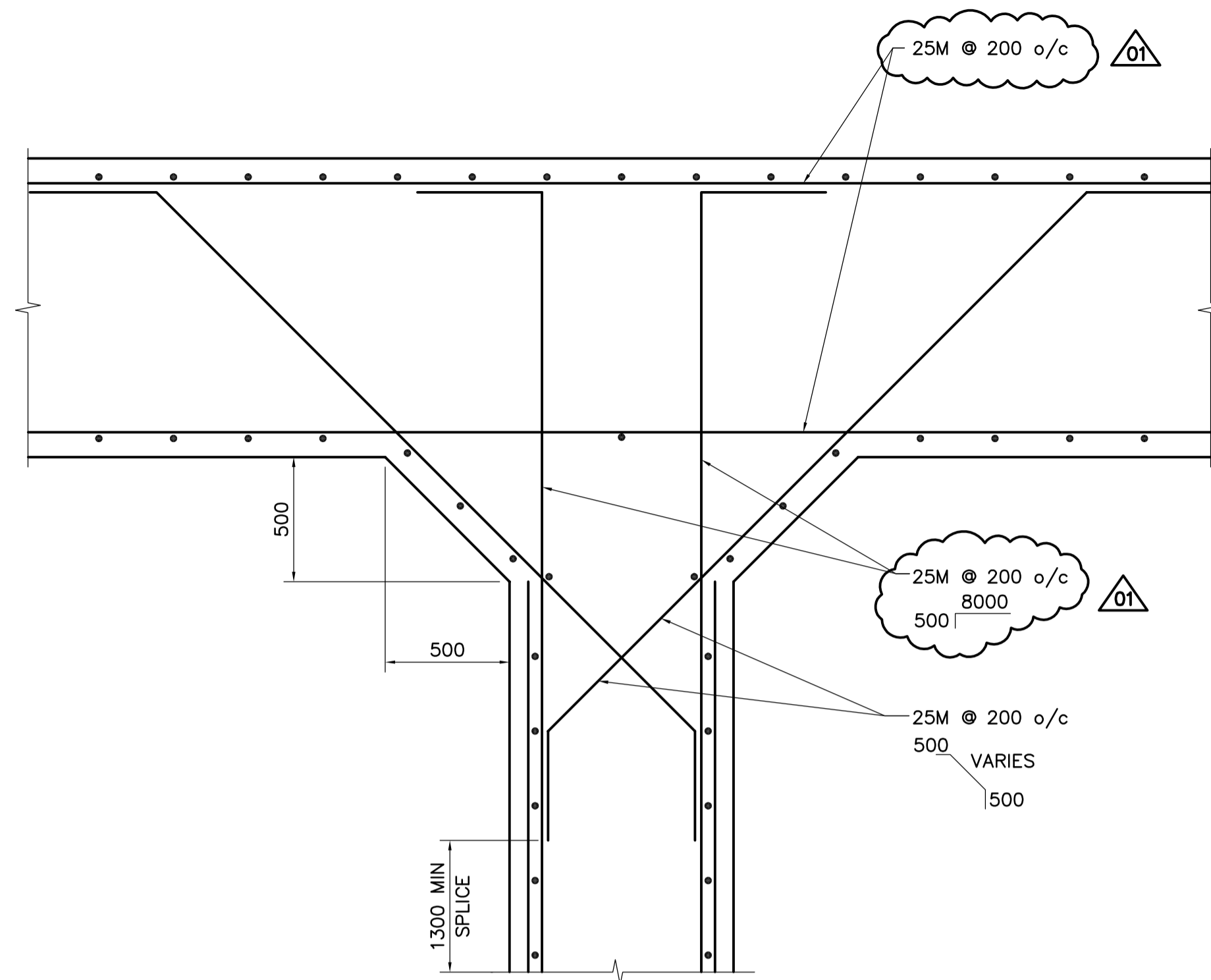


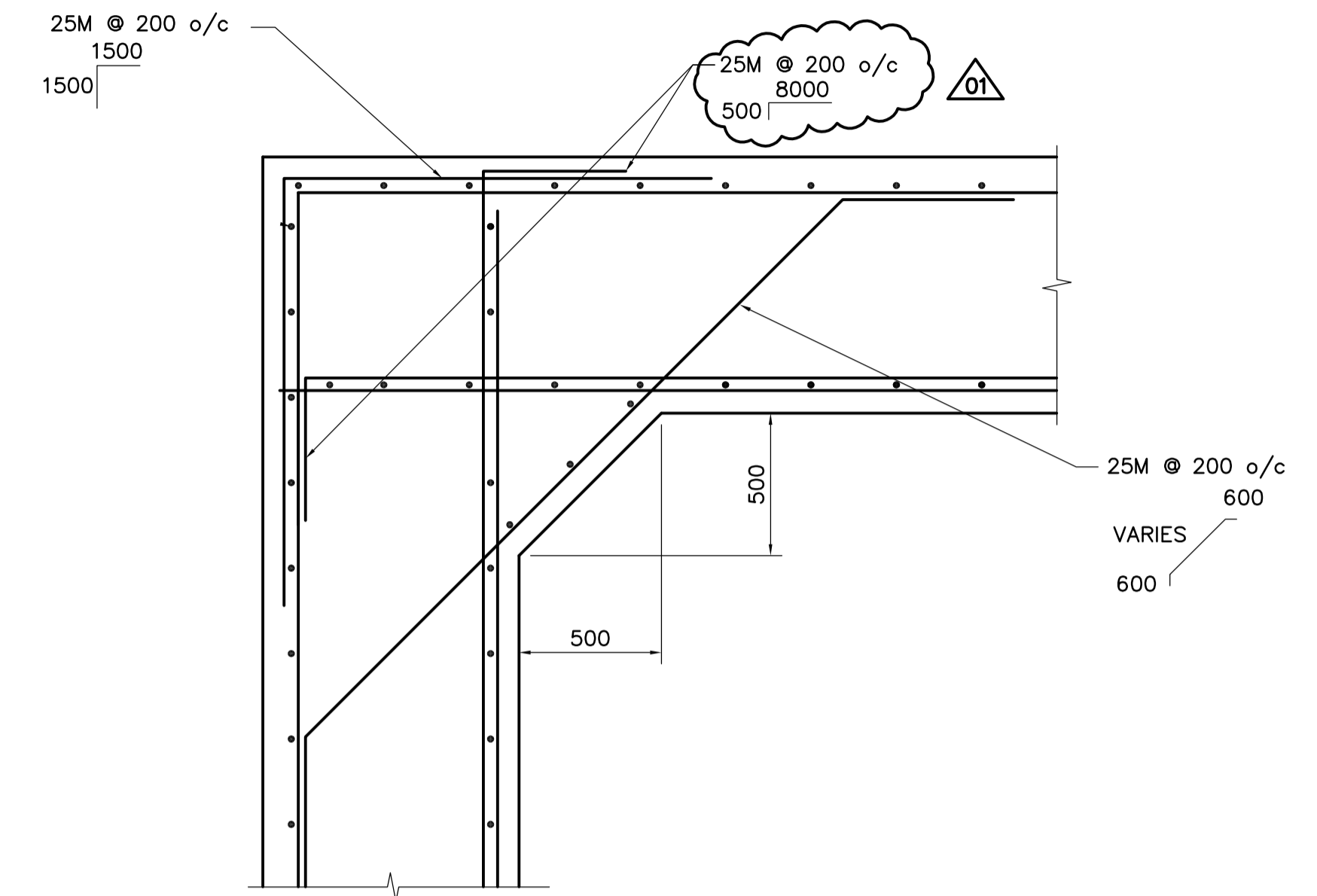
1 TYPICAL STONE VENEER SUPPORT
WT-S028 1:10

NOTES:
1. SUPPLIED BY OTHERS INSTALLED IN THIS CONTRACT
2. SIMILAR ALL AROUND INLET BUILDING



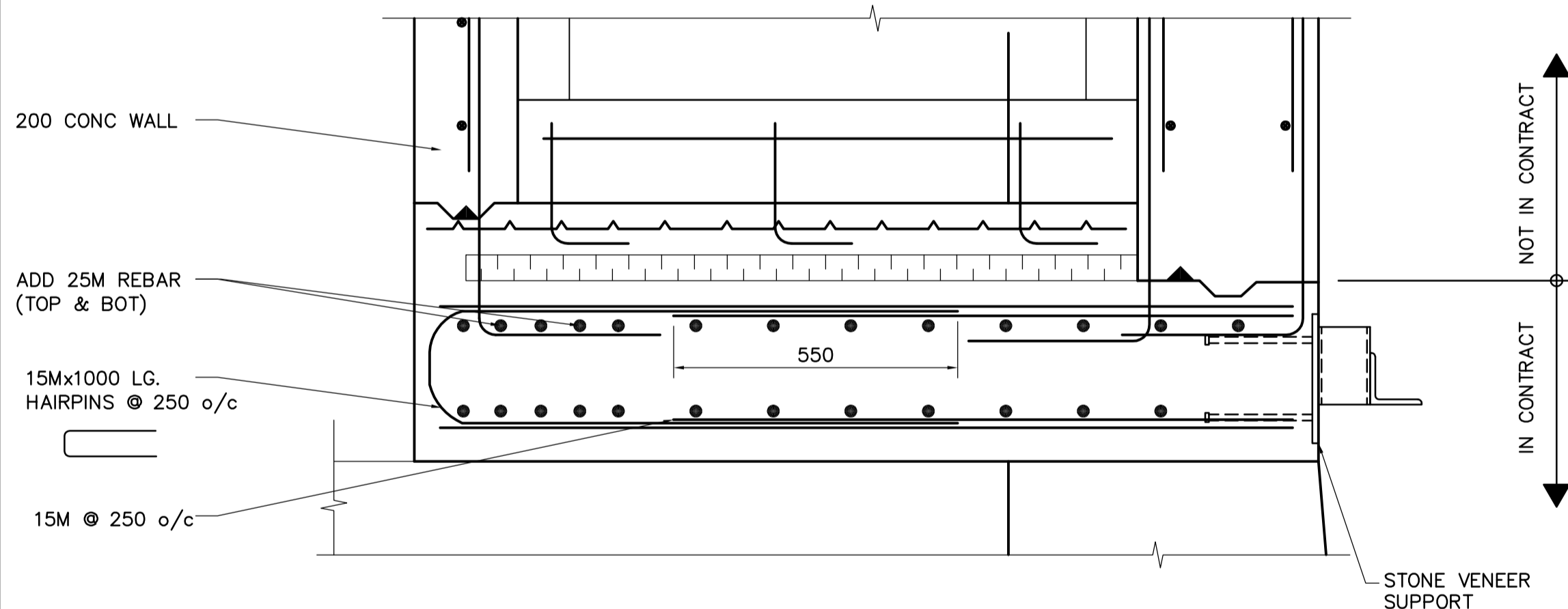
A TYPICAL WALL REINFORCING AT INTERSECTION
WT-S010 1:20

- AT GRID LINES TA & T10, TD & T13.

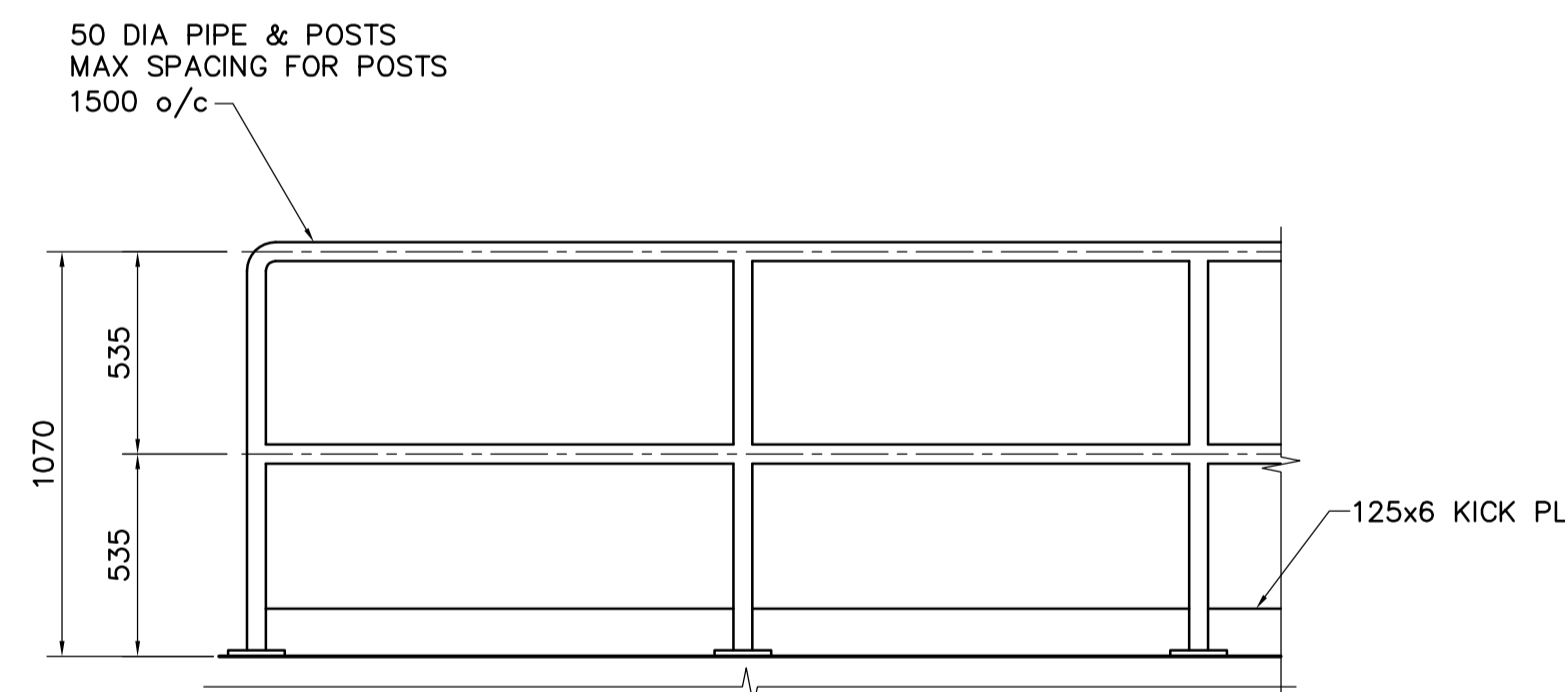


B TYPICAL WALL REINFORCING AT CORNER
WT-S010 1:20

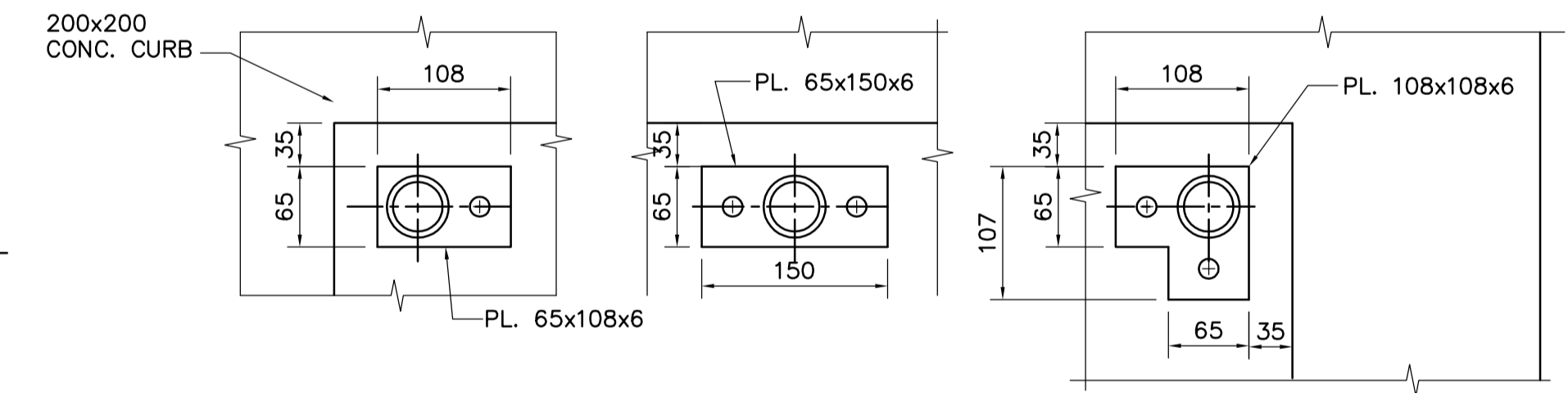
- AT GRID LINES TA & T1, TA & T13, TN & T13.



C TYPICAL SLAB REINFORCING AT AIR INTAKES
WT-S030 1:10

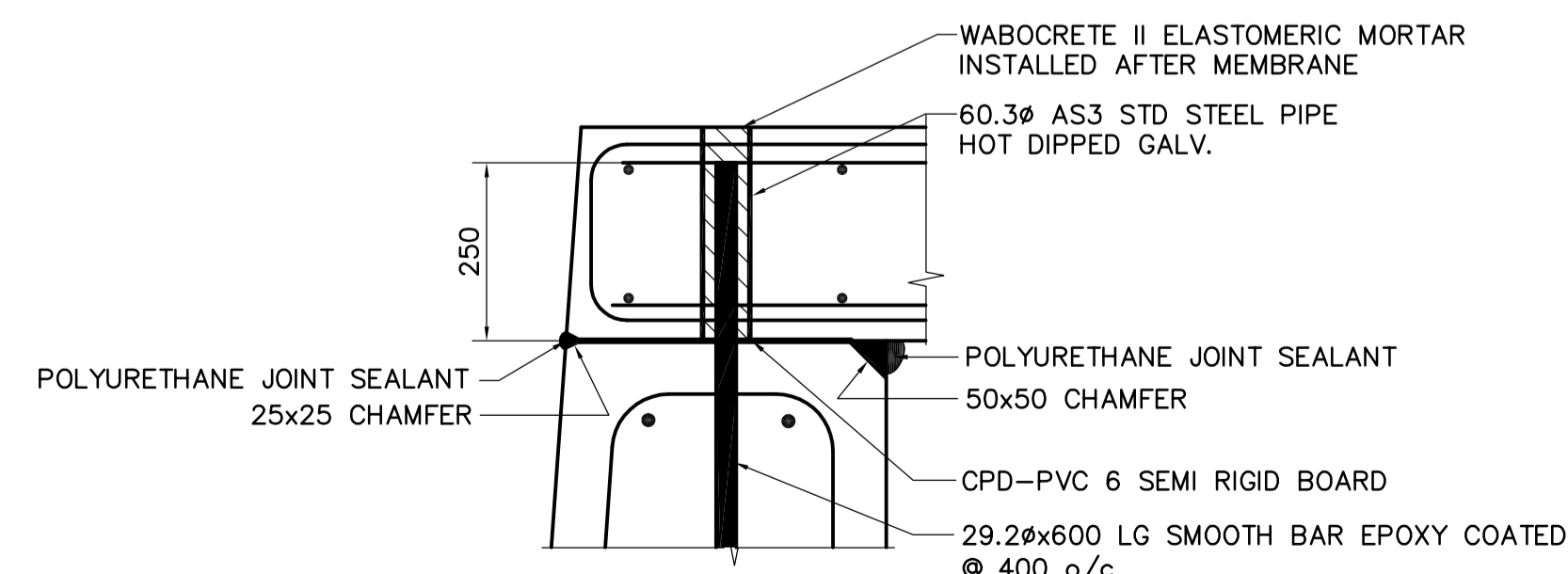


TYPICAL ALUMINUM GUARDRAIL DETAIL
N.T.S.



TYPICAL ALUMINUM GUARDRAIL BASE PLATE DETAIL
N.T.S.

NO INSULATION UNDER PLATES FOR APPROXIMATELY 300x300



TYPICAL TOP WALL PINNED CONNECTION
N.T.S.

DRAWING NOTES:
1. REFER TO DRAWING WT-S001 FOR GENERAL NOTES.



B.M. ELEV.			
DESIGNED BY	FK	CHECKED BY	MK
DRAWN BY	CMS	APPROVED BY	AHL
HOR. SCALE:	AS NOTED	RELEASED FOR CONSTRUCTION BY:	R. SOROKOWSKI
VERTICAL SCALE:		DATE	2005-04-17
NO.	REVISIONS	DATE	BY
01	166-2005 ADDENDUM 1	05/05/06	C.T.
00	ISSUED FOR TENDER	05/04/17	C.T.

CH2MHILL	EarthTech A Technological Ltd. Company
Frederickson Cooper ARCHITECTS	
DATE	2005/03/10

ENGINEER'S SEAL
ORIGINAL SIGNED BY
F.A. KEMP
2005/04/17
CONSULTANT DRAWING NO.
WT-S032

THE CITY OF WINNIPEG
WATER AND WASTE DEPARTMENT
ENGINEERING DIVISION

WATER TREATMENT PLANT CLEARWELL CONSTRUCTION

STRUCTURAL STANDARD DETAILS

CITY FILE NUMBER
SHEET OF
CITY DRAWING NUMBER
1-060T-D-S0032-001-01D