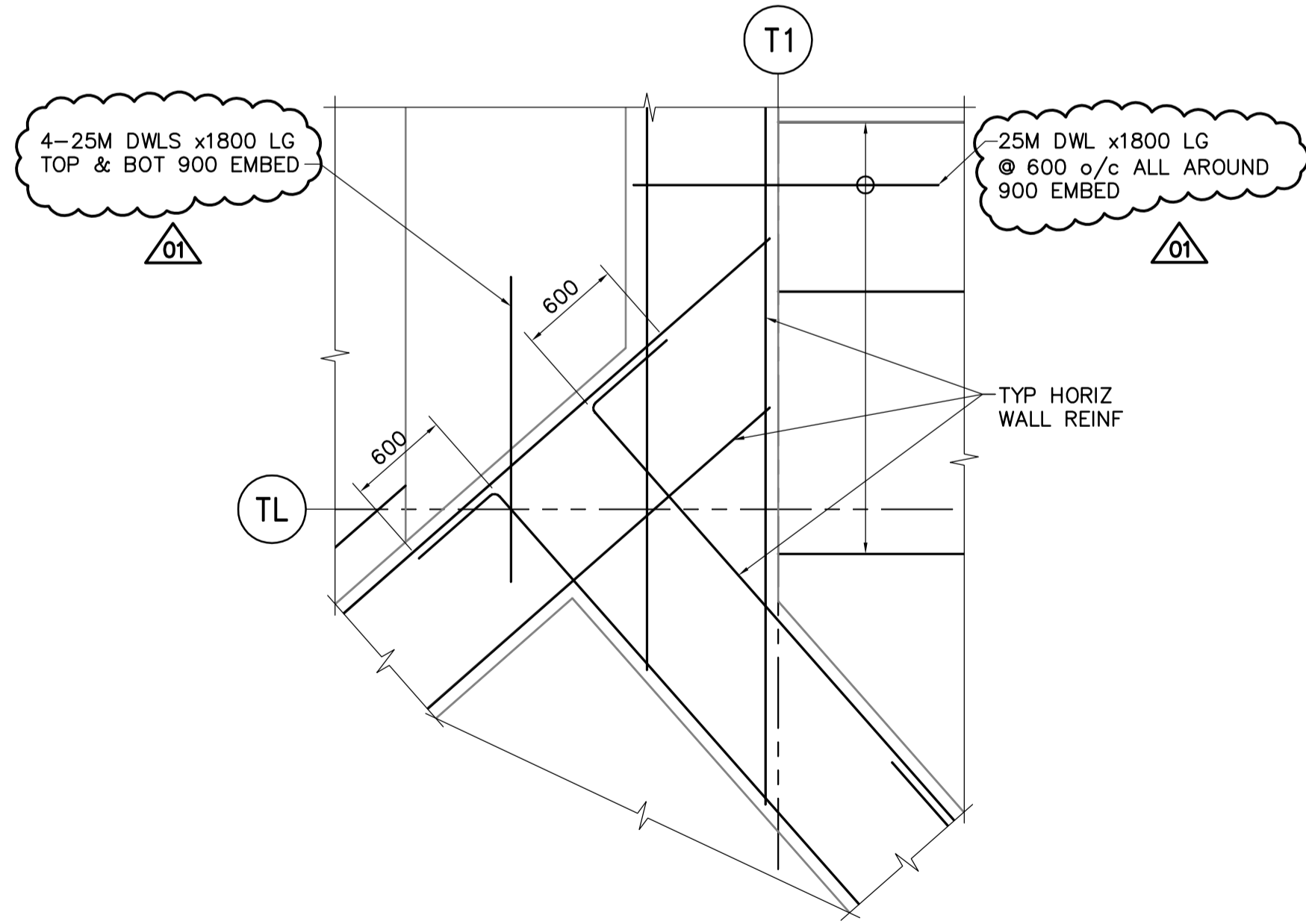
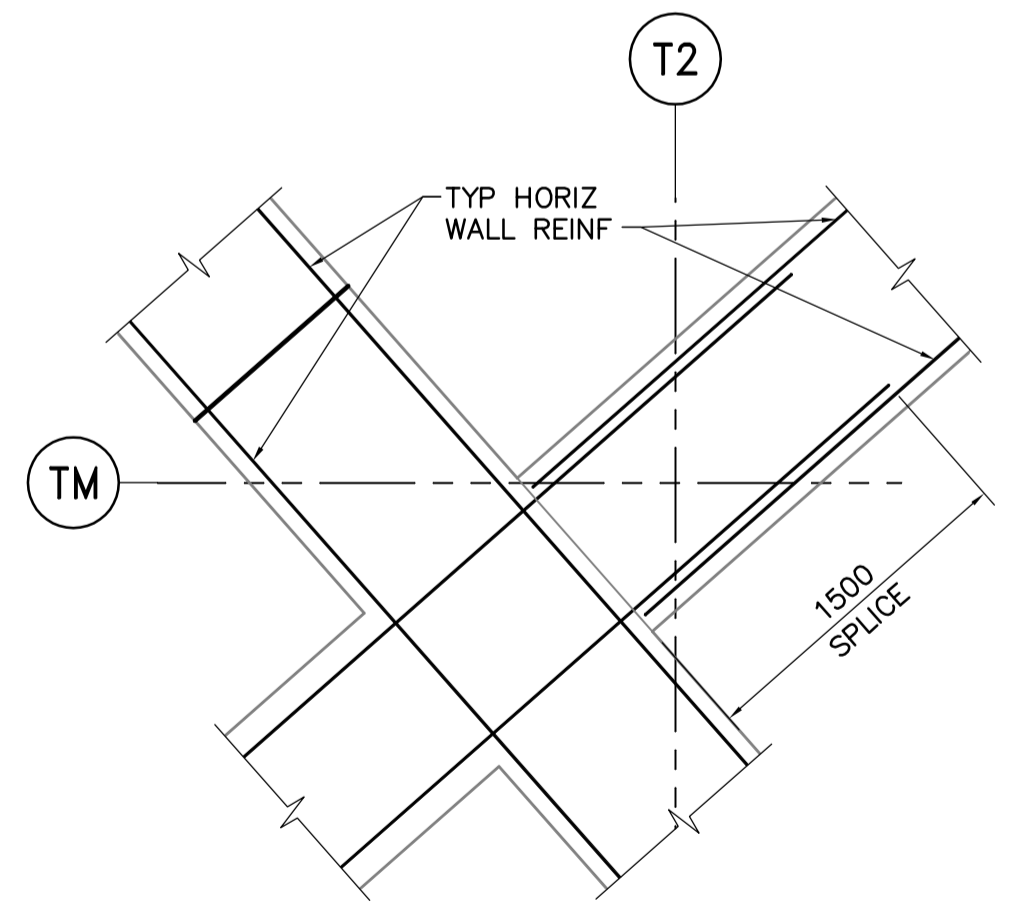


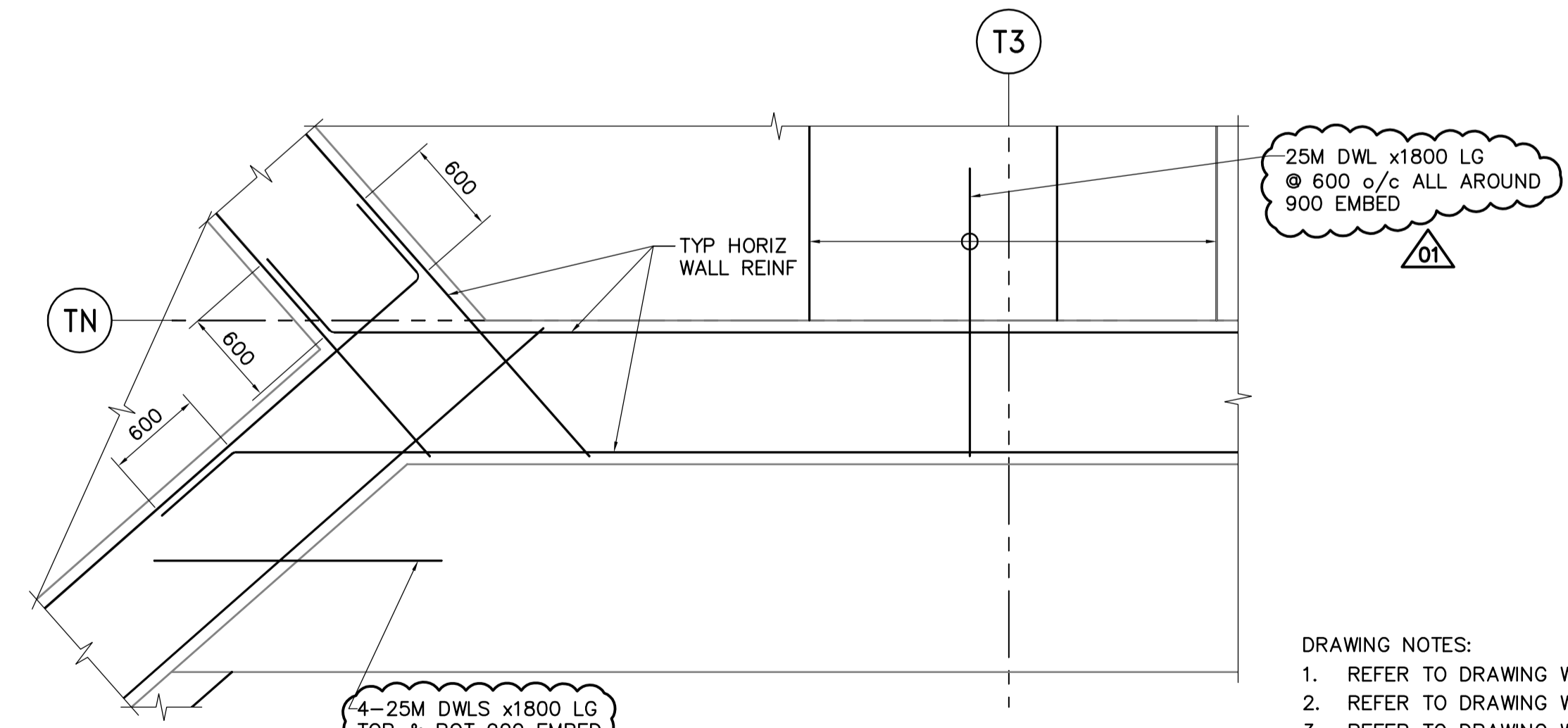
FOUNDATION SLAB REINFORCING PLAN
1:150



A DETAIL
WT-S009 N.T.S.



B DETAIL
WT-S009 N.T.S.



C DETAIL
WT-S009 N.T.S.

- DRAWING NOTES:**
1. REFER TO DRAWING WT-S001 FOR GENERAL NOTES.
 2. REFER TO DRAWING WT-S002 FOR GRID LINE DIMENSIONS.
 3. REFER TO DRAWING WT-S020 FOR EXPANSION AND CONSTRUCTION JOINT DETAILS.

APEGM
Certificate of Authorization
Earth Tech Canada Inc.
No. 730 Expiry: April 30, 2006

NO.	REVISIONS	DATE	BY
01	166-2005 ADDENDUM 1	05/05/06	C.T.
00	ISSUED FOR TENDER	05/04/17	C.T.

CH2M HILL
Frederickson Cooper
ARCHITECTS

DESIGNED BY: FK	CHECKED BY: MK
DRAWN BY: C.T.	APPROVED BY: AHL

HOR. SCALE: AS NOTED
VERTICAL SCALE: R. SOROKOWSKI

DATE: 2005/03/09 DATE: 2005-04-17

EarthTech
A Tyco International Ltd. Company

ENGINEER'S SEAL
ORIGINAL SIGNED BY: R.B. ERIC
2005/04/17

CONSULTANT DRAWING NO. WT-S009

THE CITY OF WINNIPEG
WATER AND WASTE DEPARTMENT
ENGINEERING DIVISION

WATER TREATMENT PLANT CLEARWELL CONSTRUCTION

STRUCTURAL
FOUNDATION SLAB REINFORCING PLAN

CITY FILE NUMBER
SHEET OF
CITY DRAWING NUMBER
1-0601T-B-S0009-001-01D