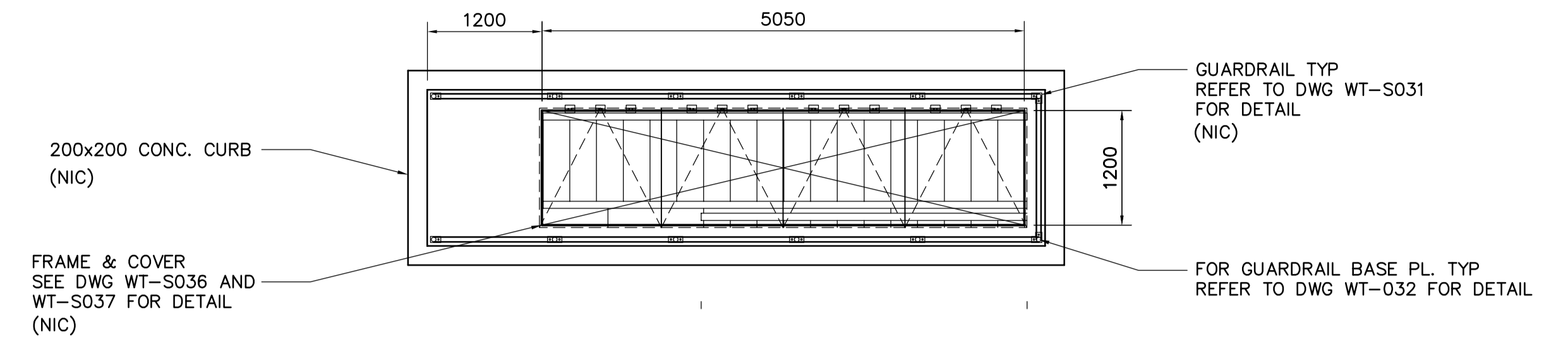
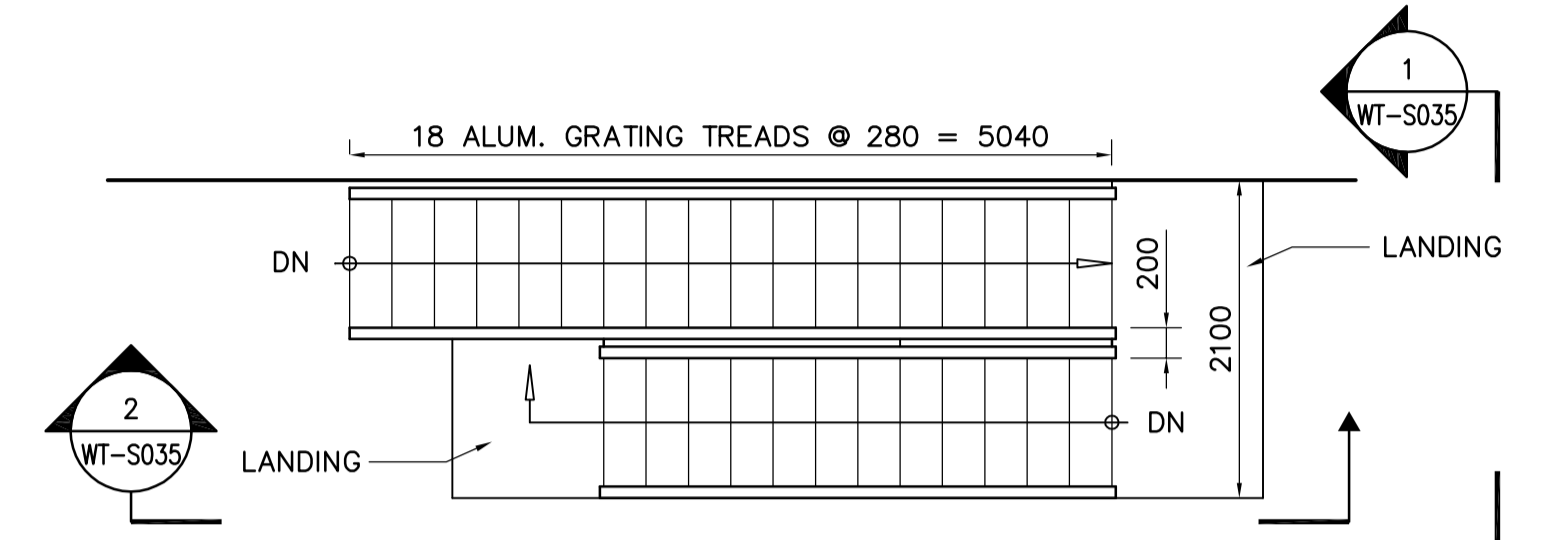


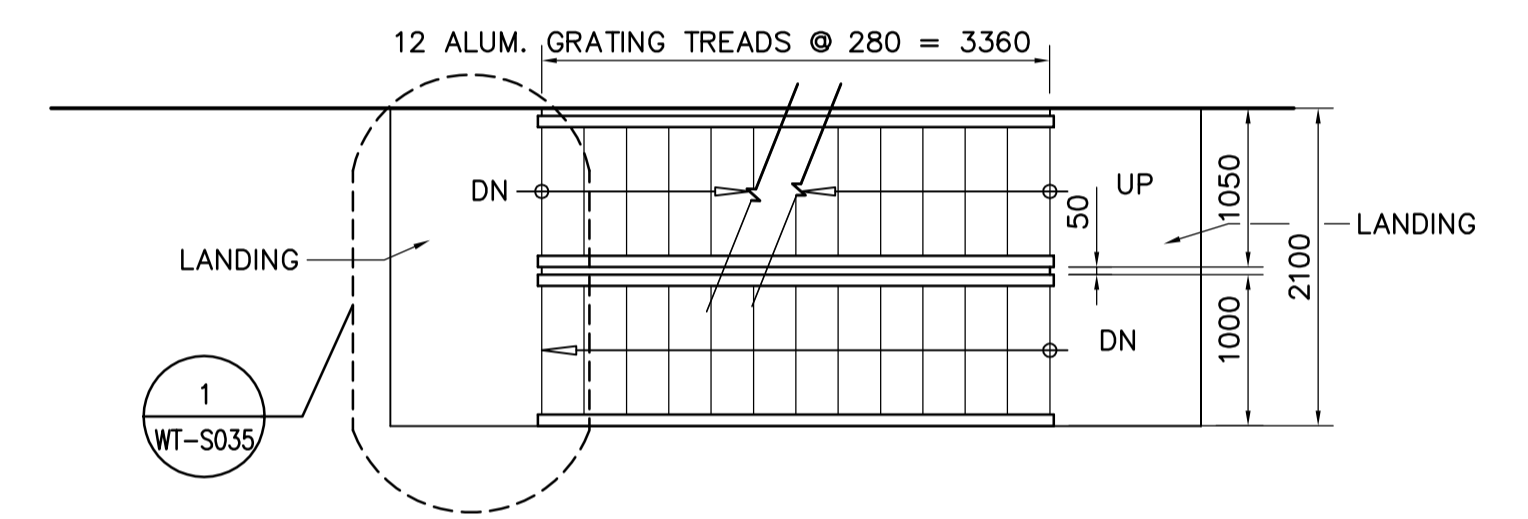
GUARDRAIL TYP
REFER TO DWG WT-S032
FOR DETAIL



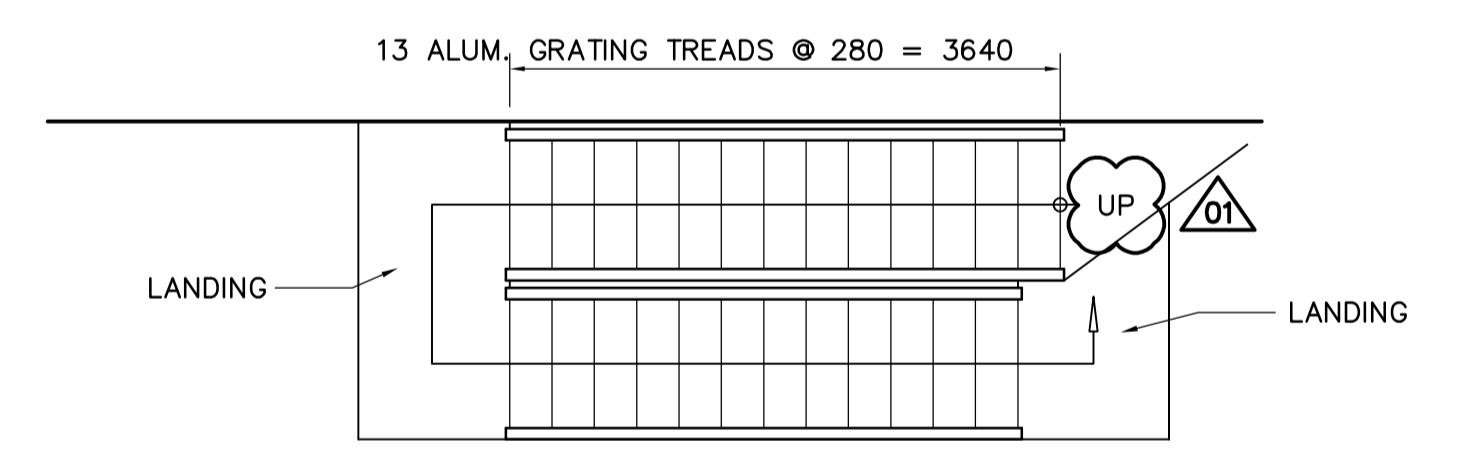
STAIRS PLAN @ ELEVATION 238.700
1:50



STAIRS PLAN ABOVE ELEVATION 235.355
1:50



STAIRS PLAN ABOVE ELEVATION 233.066
1:50



STAIRS PLAN ABOVE ELEVATION 230.600
1:50

APECM
Certificate of Authorization
Earth Tech Canada Inc.
No. 730 Expiry: April 30, 2006

B.M.	ELEV.		
01	166-2005 ADDENDUM 1	05/05/06	C.T.
00	ISSUED FOR TENDER	05/04/17	GGP
NO.	REVISIONS	DATE	BY

CH2MHILL
Frederickson Cooper
ARCHITECTS

DESIGNED BY: GGP
DRAWN BY: HYC, C.T.

CHECKED BY: MK
APPROVED BY: AHL

HOR. SCALE: AS NOTED
VERTICAL SCALE:

RELEASED FOR CONSTRUCTION BY:
R. SOROKOWSKI

DATE: 2005/03/09
DATE: 2005-04-17

ENGINEER'S SEAL
ORIGINAL SIGNED BY
R.B. ERIC
2005/04/17
CONSULTANT DRAWING NO.
WT-S034

THE CITY OF WINNIPEG
WATER AND WASTE DEPARTMENT
ENGINEERING DIVISION

**WATER TREATMENT PLANT
CLEARWELL CONSTRUCTION**

STRUCTURAL STAIRS PLANS

CITY FILE NUMBER
SHEET OF
CITY DRAWING NUMBER
1-060T-A-S0034-001-01D