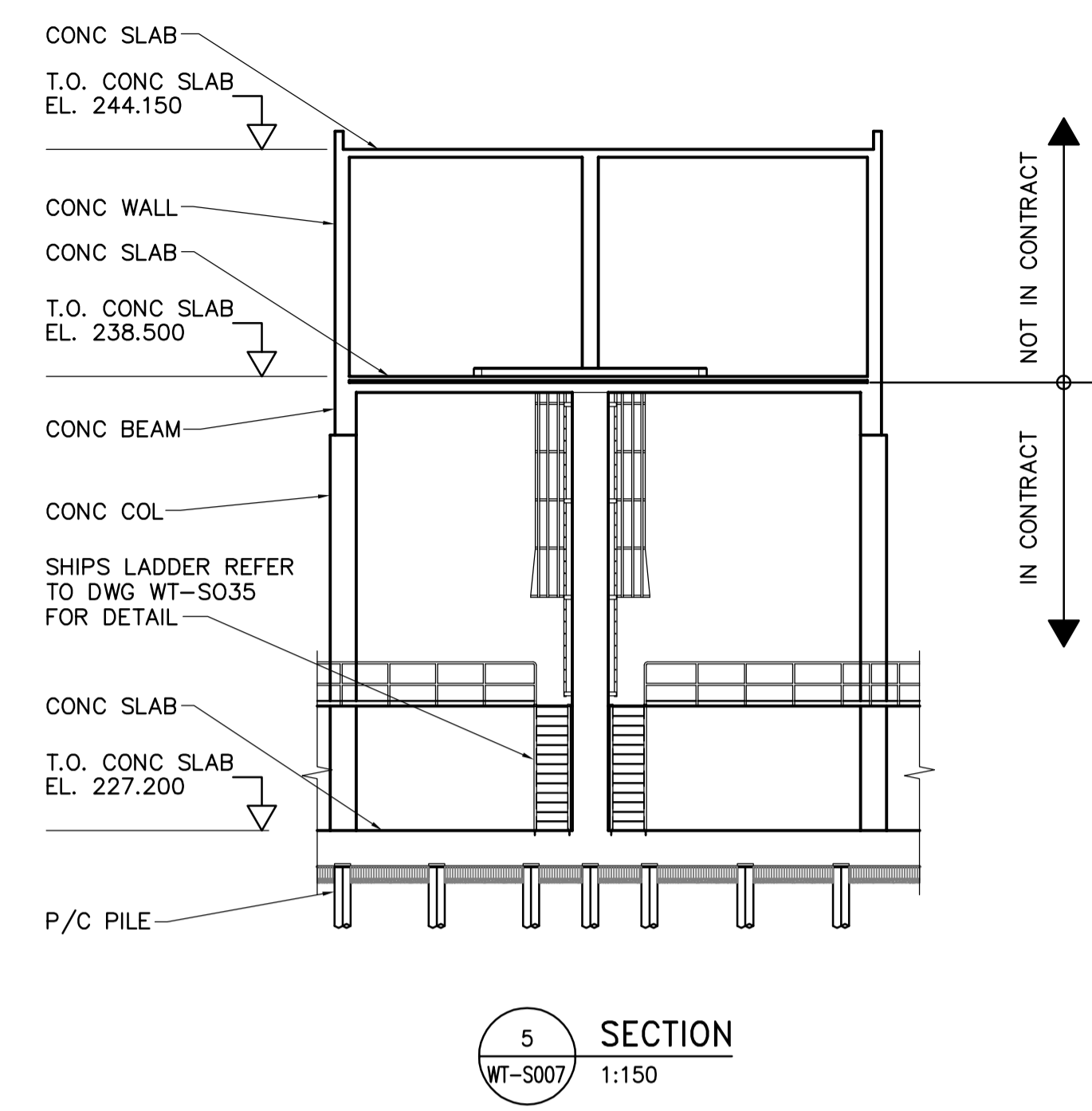
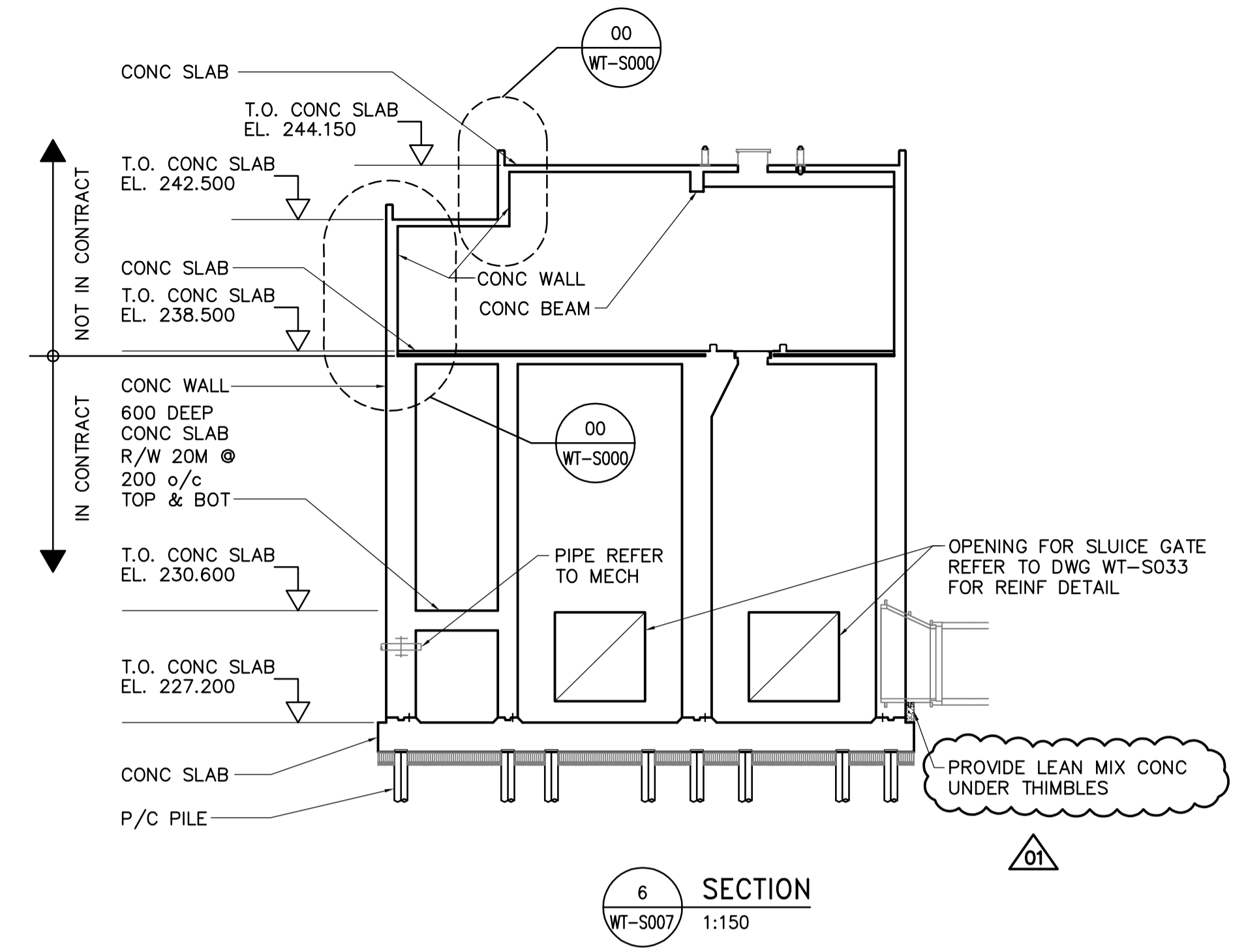


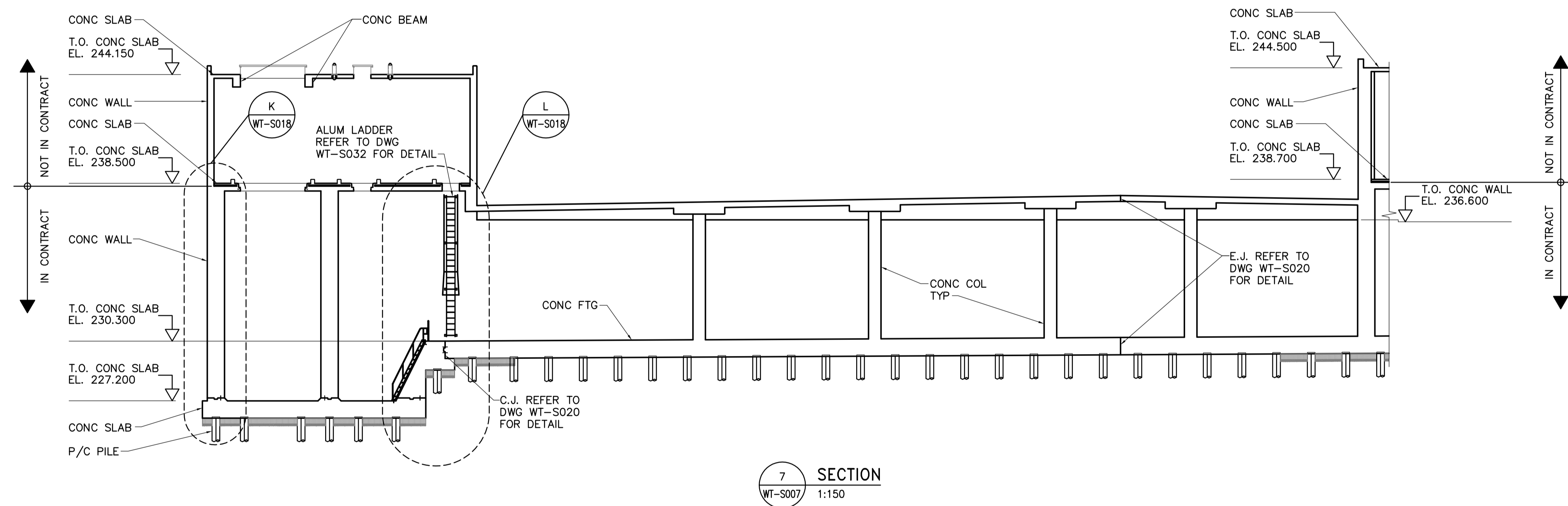
4 SECTION
WT-S007 1:150



5 SECTION
WT-S007 1:150



6 SECTION
WT-S007 1:150



7 SECTION
WT-S007 1:150

DRAWING NOTES:
1. REFER TO DRAWING WT-S001 FOR GENERAL NOTES.

APEGM
Certificate of Authorization
Earth Tech Canada Inc.
No. 730 Expiry: April 30, 2006

NO.	REVISIONS	DATE	BY
01	166-2005 ADDENDUM 1	05/05/06	C.T.
00	ISSUED FOR TENDER	05/04/17	C.T.

DESIGNED BY	FK	CHECKED BY	MK
DRAWN BY	C.T.	APPROVED BY	AHL
HOR. SCALE: AS NOTED		RELEASED FOR CONSTRUCTION BY:	
VERTICAL SCALE:		R. SOROKOWSKI	
DATE	2005/02/09	DATE	2005-04-17

ENGINEER'S SEAL
ORIGINAL SIGNED BY
F.A. KEMP
2005/04/17
CONSULTANT DRAWING NO.
WT-S015

THE CITY OF WINNIPEG
WATER AND WASTE DEPARTMENT
ENGINEERING DIVISION

WATER TREATMENT PLANT CLEARWELL CONSTRUCTION

STRUCTURAL BUILDING SECTIONS

CITY FILE NUMBER
SHEET OF
CITY DRAWING NUMBER
1-060T-A-80015-001-01D