

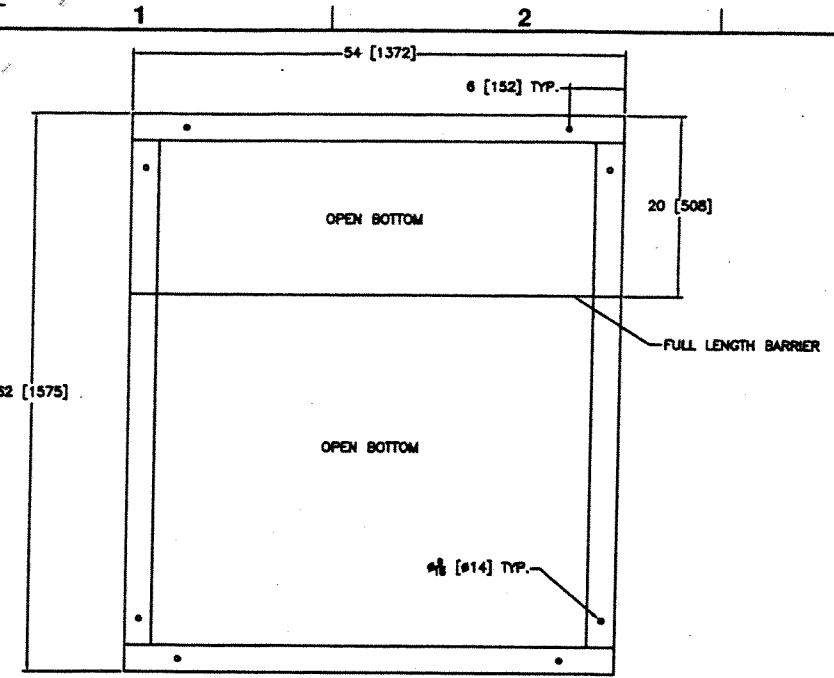
**Earth Tech (Canada) Inc.**

Reviewed for general conformance with design intent. Responsibility for detailed design in the shop drawings rests with the Contractor.

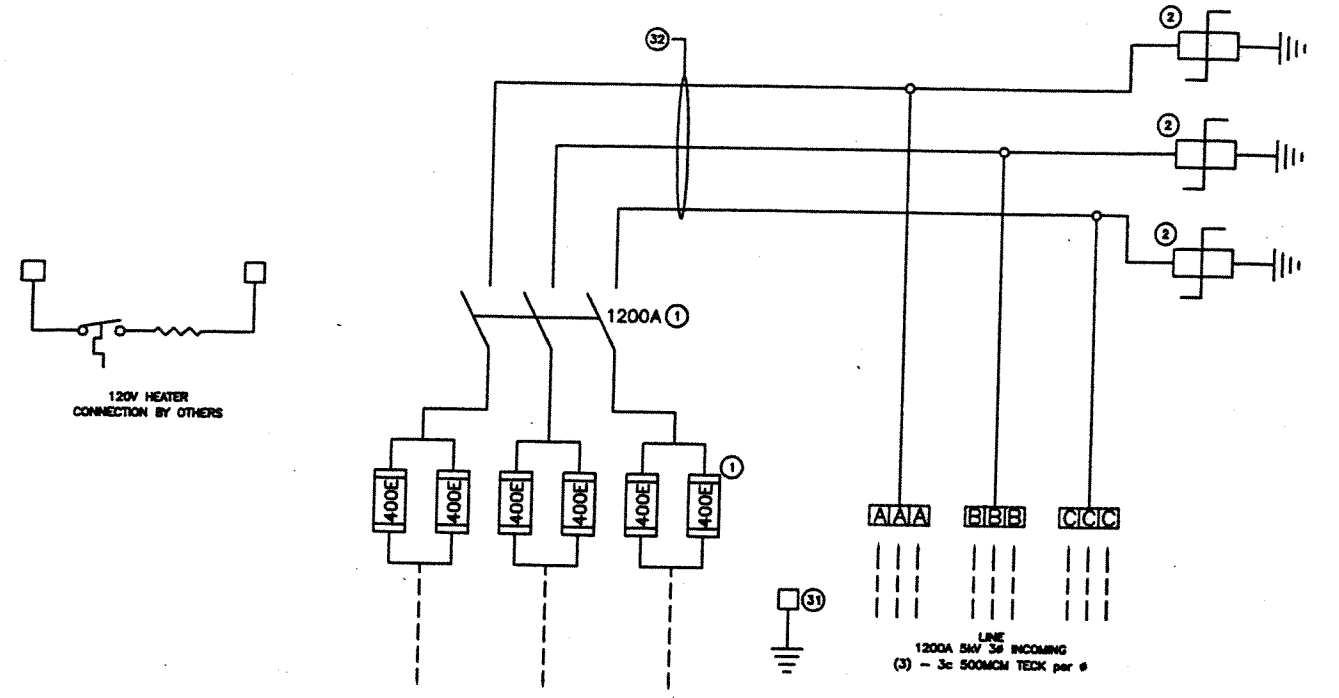
Responsibility for verification and correlation of field dimensions, fabrication process, techniques of construction, installation and coordination of all parts of the work rests with the Contractor.

REVIEWED \_\_\_\_\_  
 REVIEWED AS MODIFIED \_\_\_\_\_ ✓  
 REVISE AND RE-SUBMIT \_\_\_\_\_  
 NOT REVIEWED \_\_\_\_\_

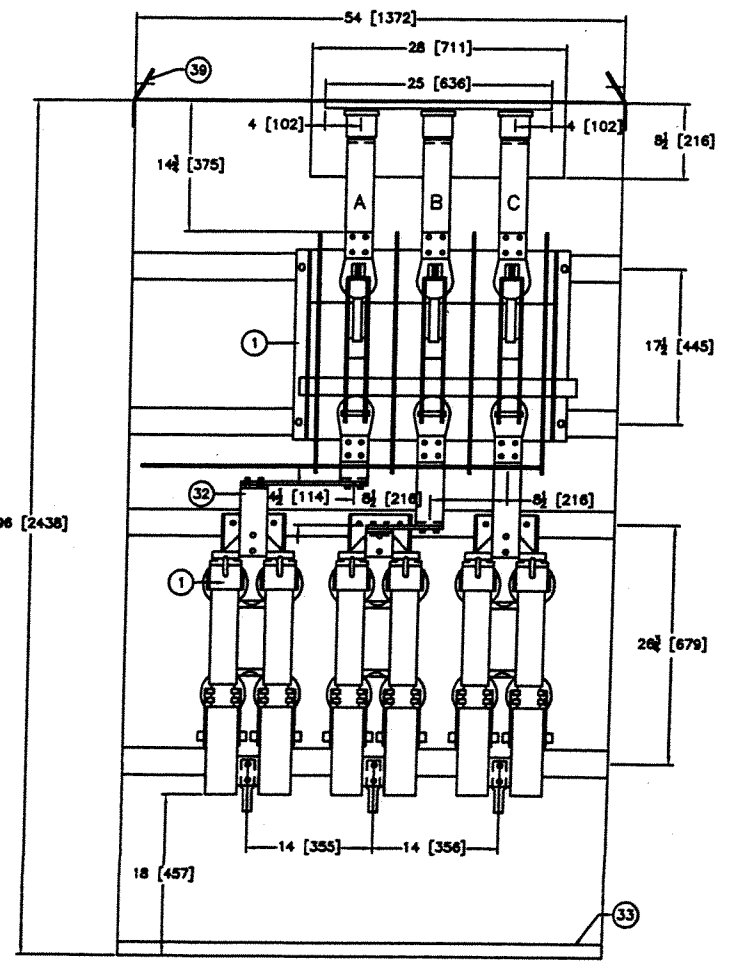
Project No. 19538-C6-16  
 Date: MAY 3/04 By: [Signature]



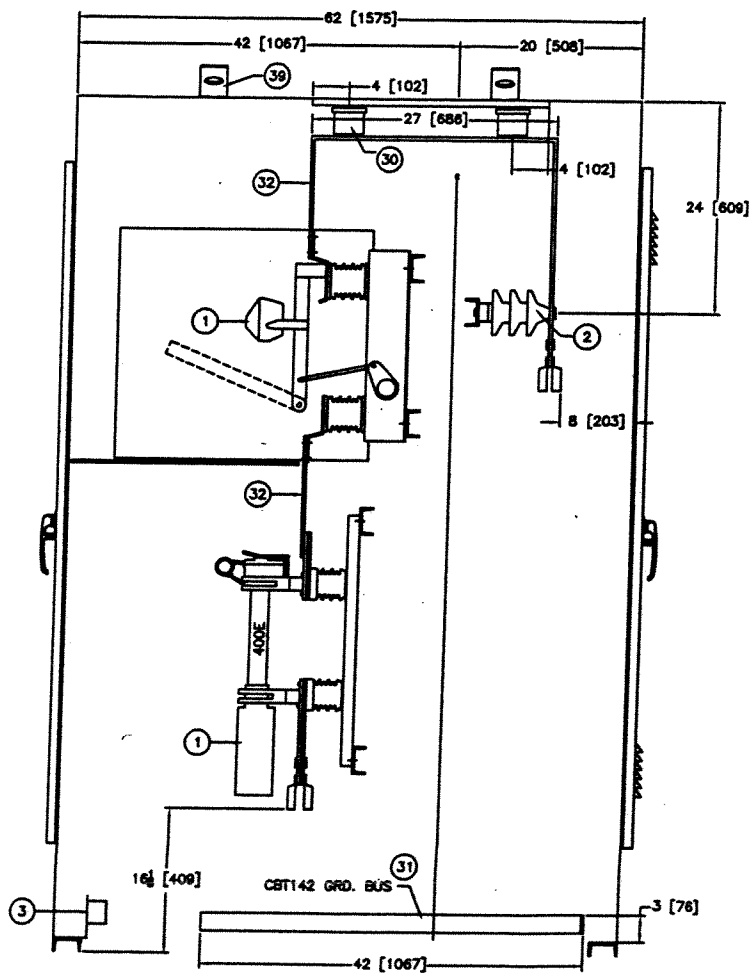
BASE DETAIL  
SCALE: N.T.S.



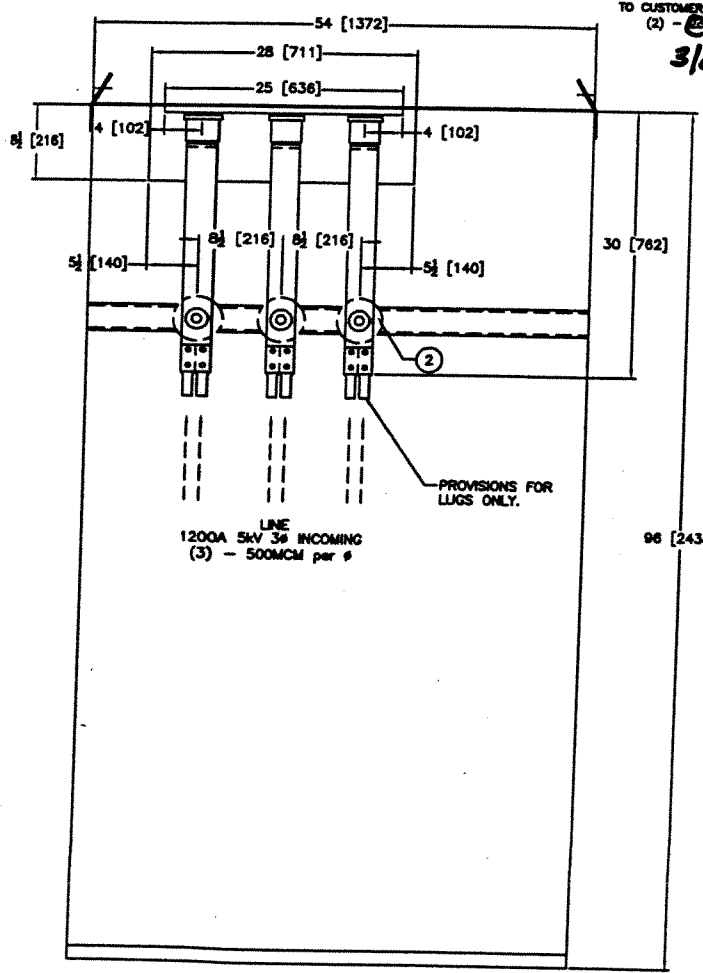
WIRING SCHEMATIC  
SCALE: N.T.S.



FRONT ELEVATION  
LESS OUTER DOOR & FRONT FACE



SECTION A-A  
SCALE: N.T.S.



REAR ELEVATION  
LESS OUTER DOOR & REAR FACE

J.R. STEPHENSON MFG LTD

**ISSUED FOR APPROVAL** DATE: APR 27 2005

**REFERENCE COPY**

THE INFORMATION CONTAINED IN THIS DRAWING IS DEEMED PROPRIETARY TO J.R. STEPHENSON MFG. LTD IT MAY BE USED ONLY FOR THE PURPOSE FOR WHICH IT WAS SUBMITTED AND MAY NOT BE COPIED IN WHOLE OR IN PART WITHOUT PRIOR WRITTEN CONSENT FROM AN AUTHORIZED OFFICER OF J.R. STEPHENSON MFG. LTD.

DRAWING TITLE		PROJECT		DIMENSIONS: INCHES UNLESS OTHERWISE NOTED	
SECTIONS & DETAILS		CITY of WPG. - WATER & WASTE DEPT. DEACON PUMP STATION		SCALE	DRAWING No.
				N.T.S.	S3634
				AUTOCAD 2002	18979
				ACAD FILE No.	18979
				REV	SHT. 2 of 2
					A



J.R. STEPHENSON MFG. LTD.  
ISO 9001:2000 CERTIFIED  
1425 WHITE AVE.  
WINNIPEG, MANITOBA, CANADA  
PHONE: (204) 775-8561 FAX: (204) 786-2491