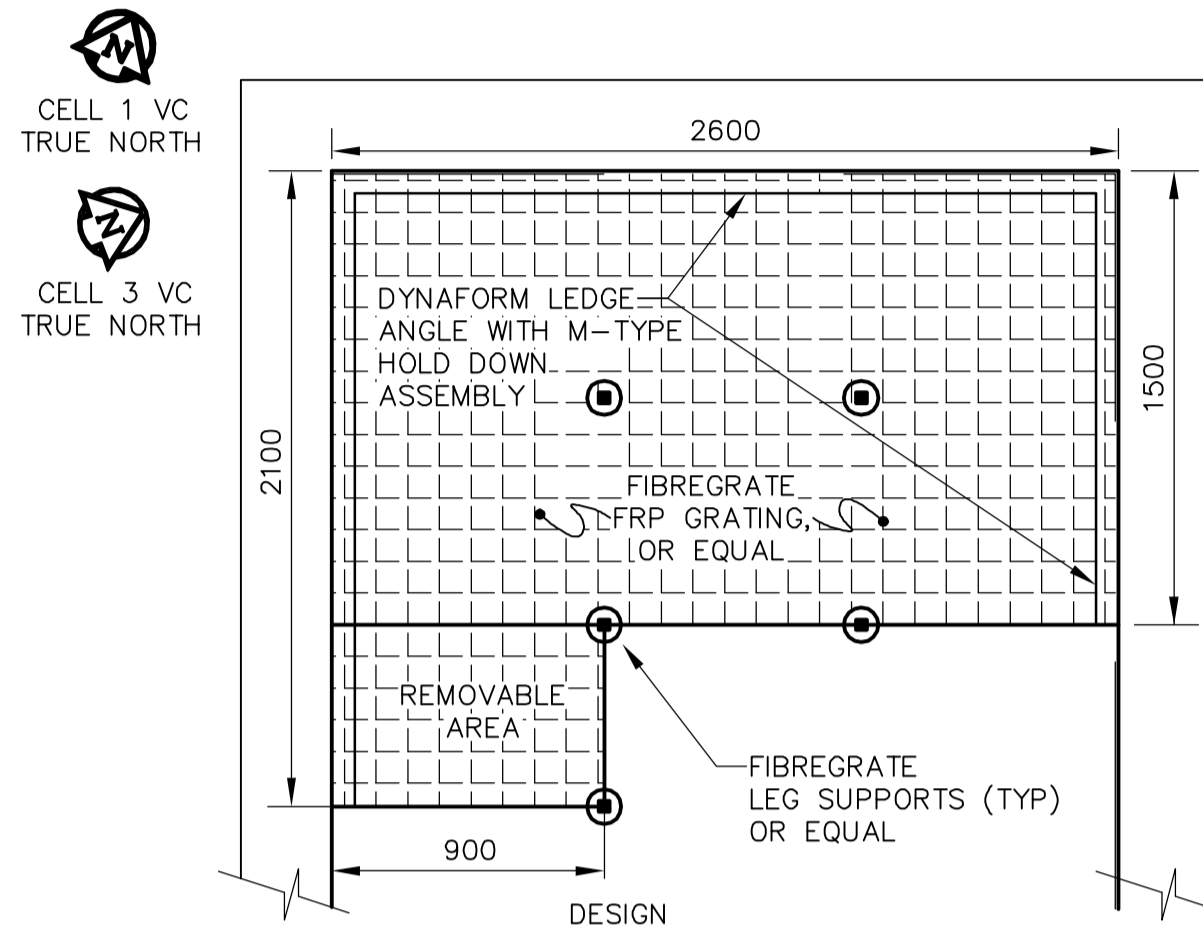
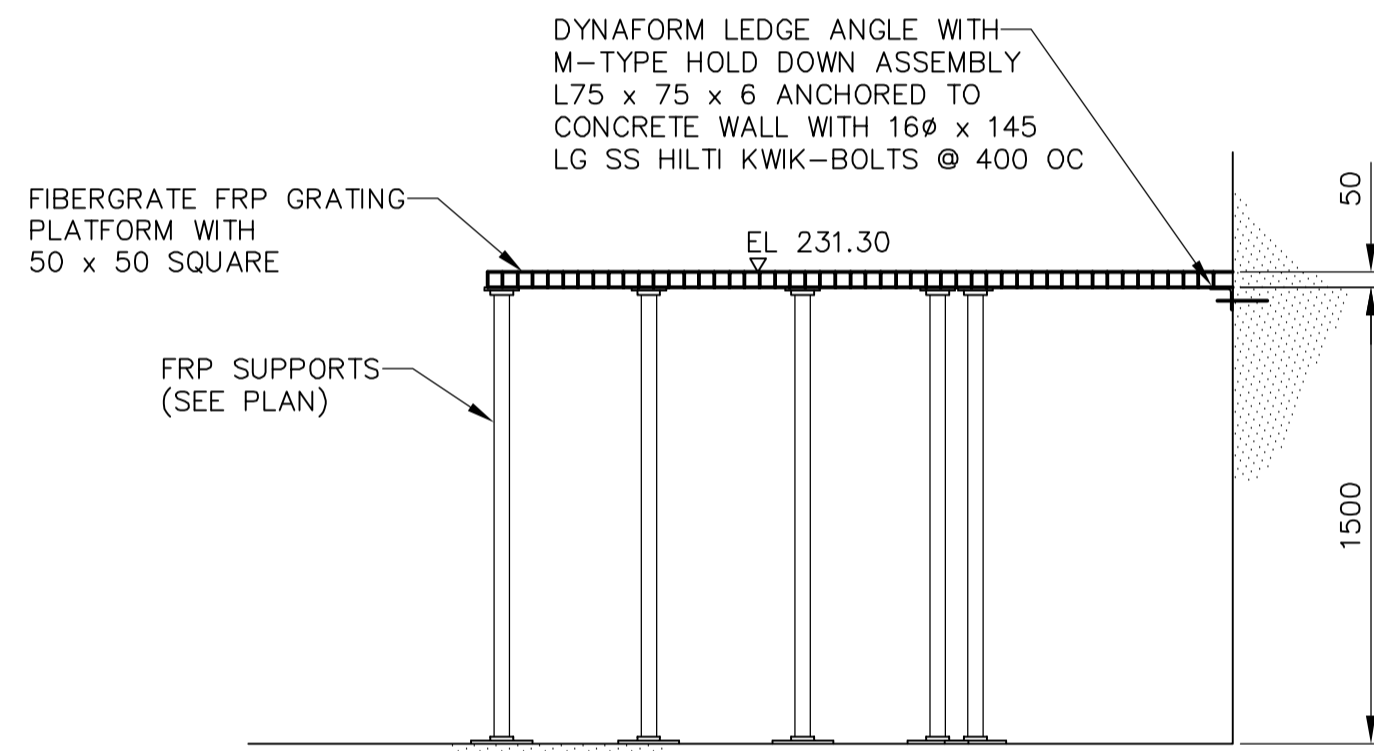


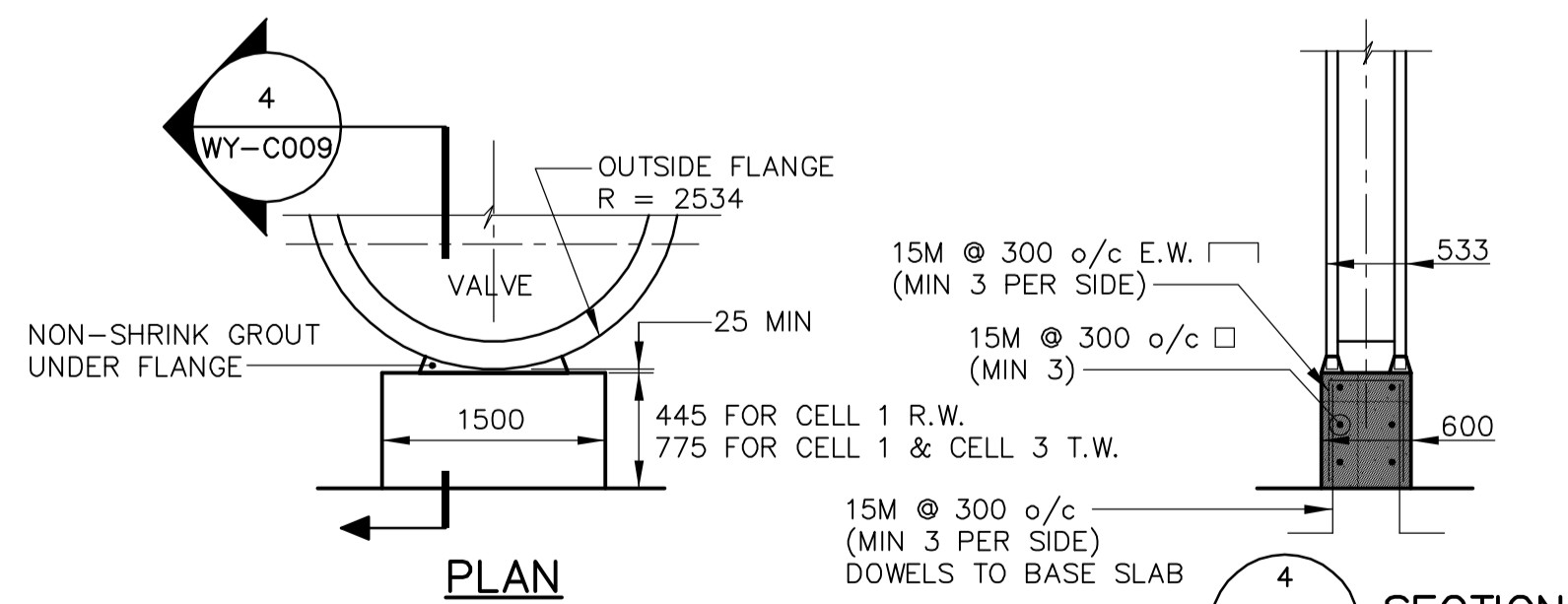
**CELL 1 RAW WATER VALVE CHAMBER  
FRP PLATFORM**  
SCALE 1:25



**CELL 1 & CELL 3 TREATED WATER VALVE CHAMBER  
FRP PLATFORM**  
SCALE 1:25

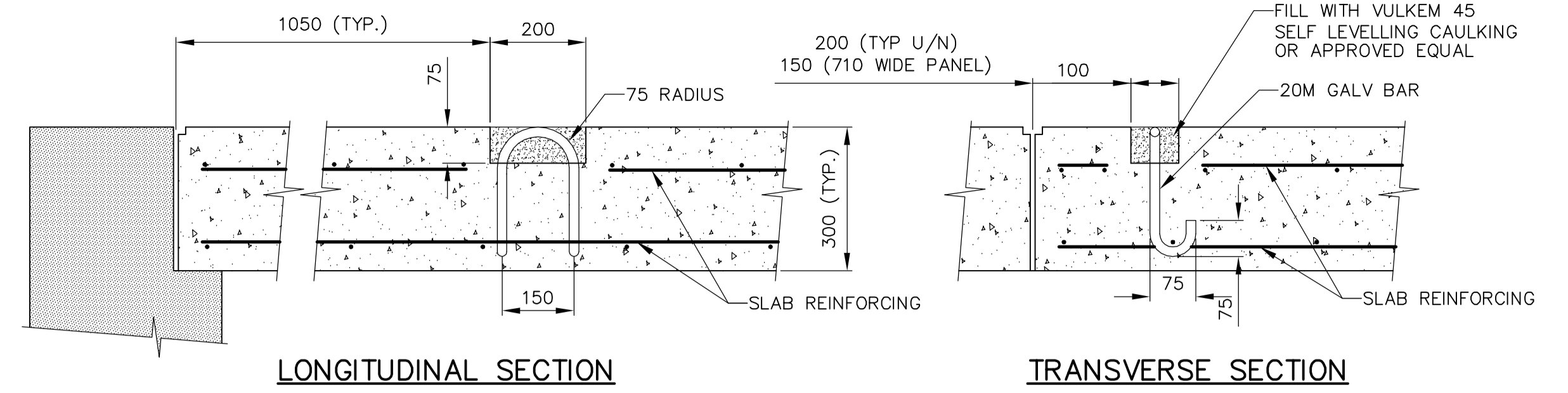


**1 SECTION**  
WY-C009 SCALE 1:100

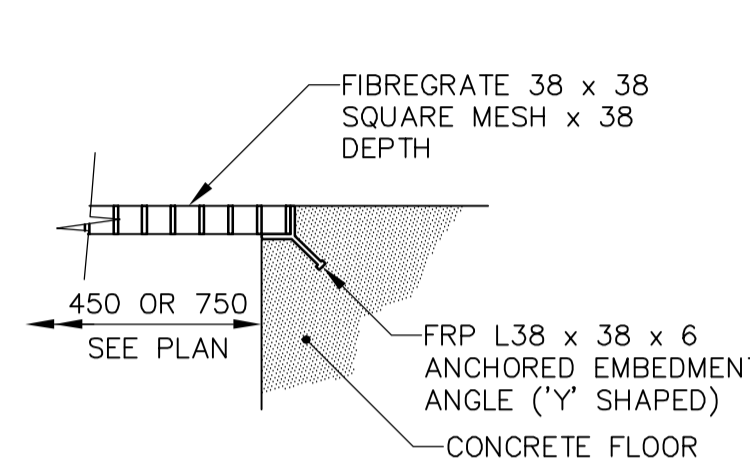


**VALVE BASE BLOCK DETAILS**  
SCALE 1:50

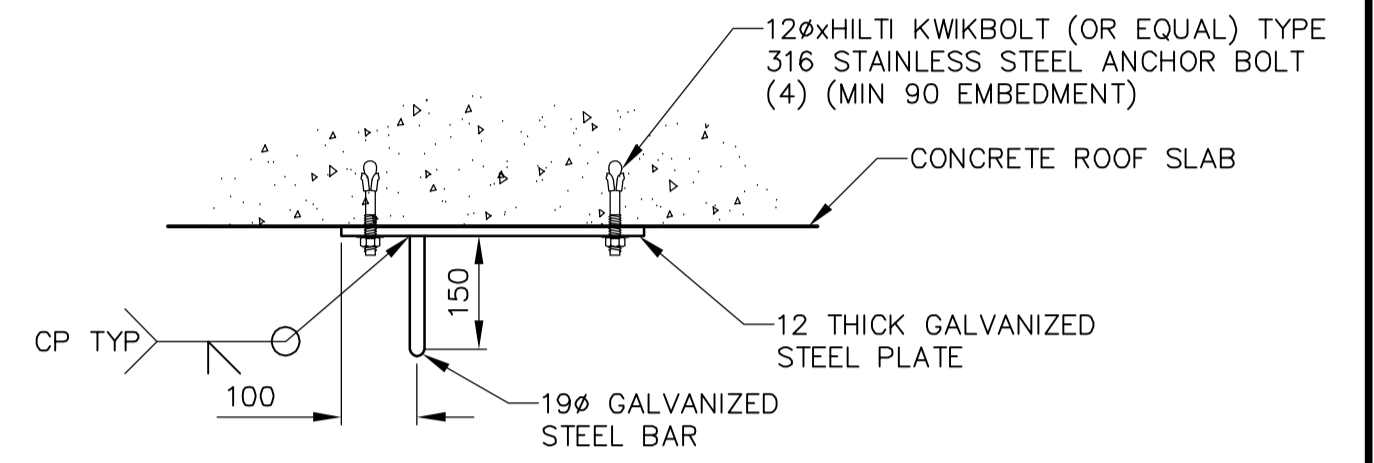
**4 SECTION**  
WY-C009 SCALE 1:50



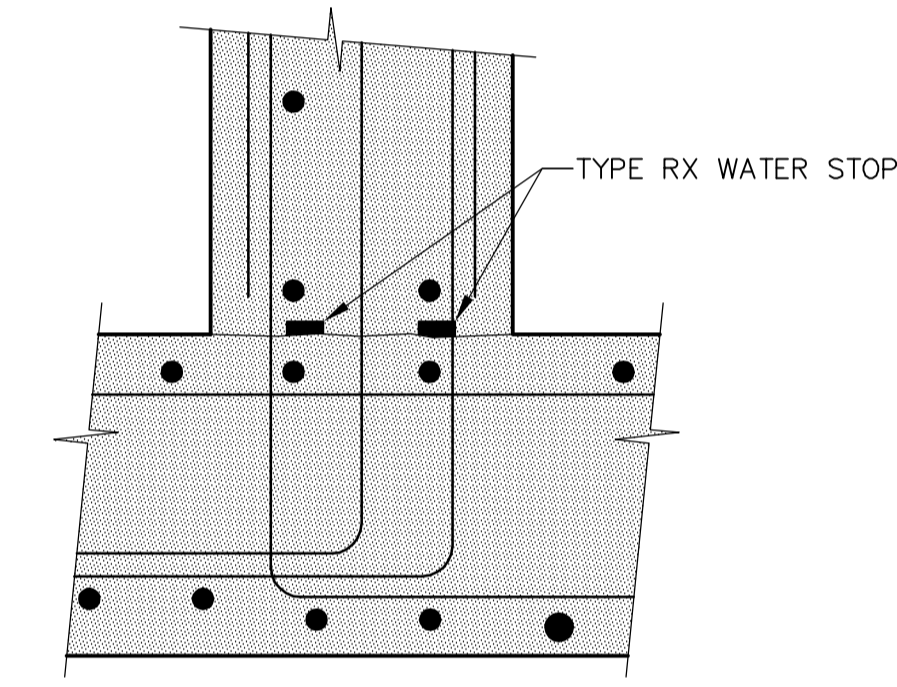
**CELL 1 RAW WATER VALVE CHAMBER  
LIFTING LUG DETAILS FOR REMOVABLE PANELS**  
SCALE 1:10



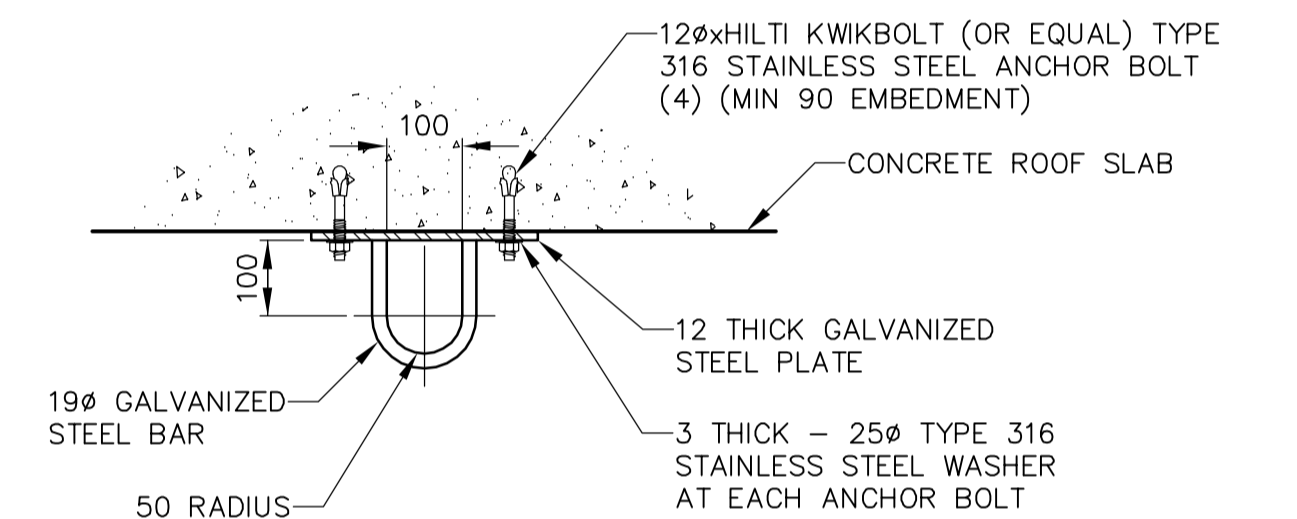
**SUMP PIT GRATING DETAIL**  
SCALE 1:10



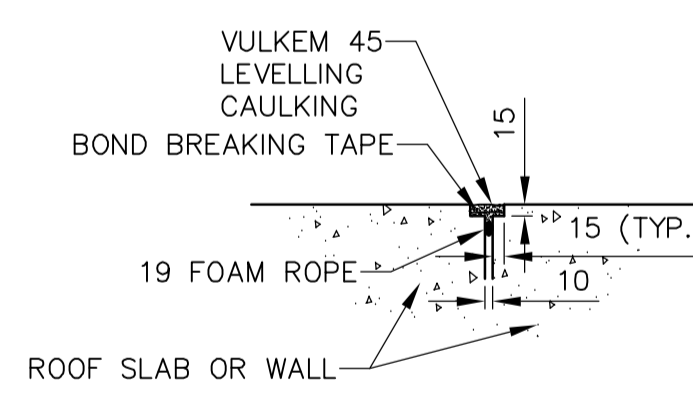
**2 SECTION**  
WY-C009 SCALE 1:10



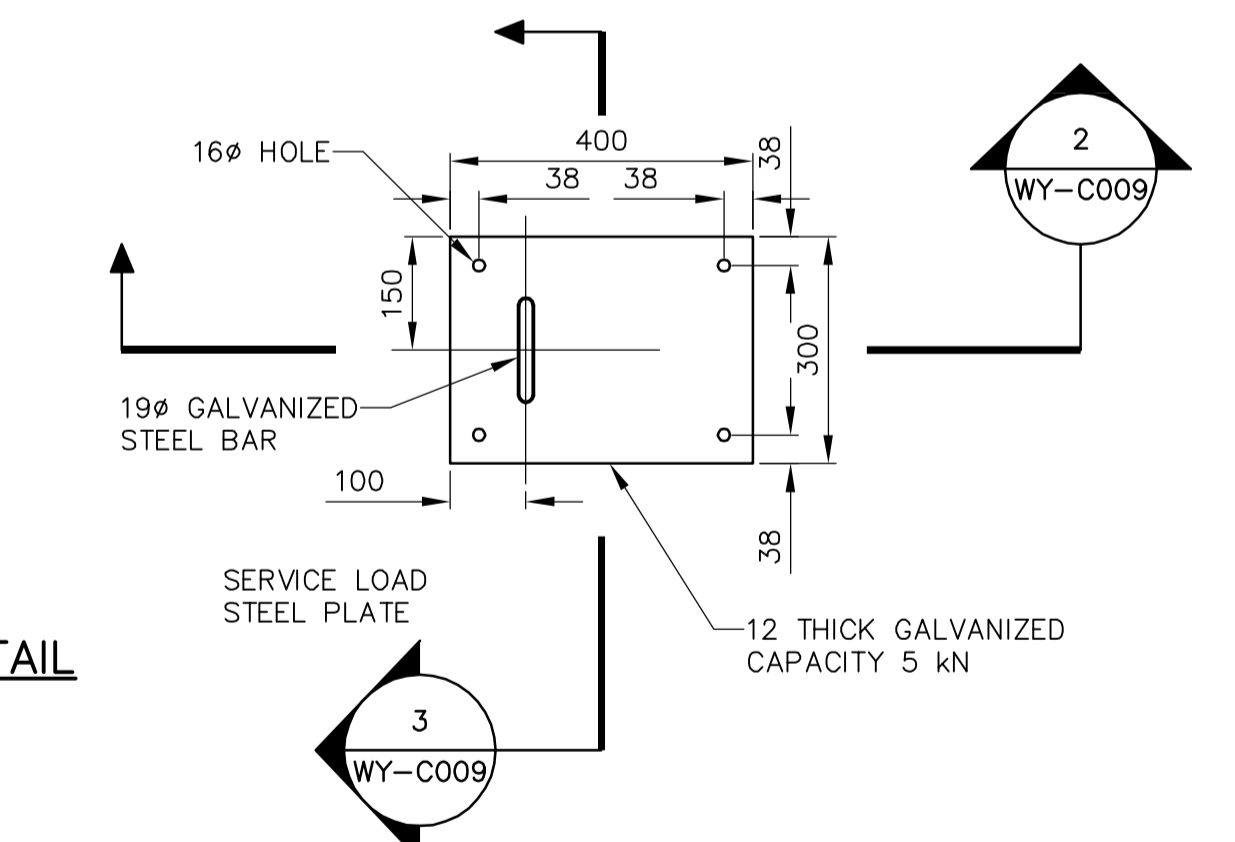
**WATERTIGHT CONSTRUCTION  
JOINT DETAIL**  
SCALE 1:10



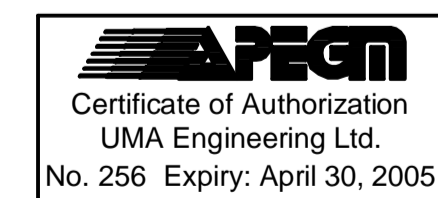
**3 SECTION**  
WY-C009 SCALE 1:10



**REMOVABLE SLAB CAULKING DETAIL**  
SCALE 1:10



**LIFTING HOOK DETAIL**  
SCALE 1:10



B.M. ELEV.				ENGINEER'S SEAL		THE CITY OF WINNIPEG WATER AND WASTE DEPARTMENT ENGINEERING DIVISION	WINNIPEG WATER TREATMENT PROGRAM CONSTRUCTION OF YARD PIPING AND VALVE CHAMBERS	CITY FILE NUMBER
		DESIGNED BY SBB	CHECKED BY SBB	ORIGINAL SIGNED BY S. B. BISWANGER 2005/04/15				SHEET 1 OF 1
		DRAWN BY Wjd	APPROVED BY Bryan Weber	RELEASED FOR CONSTRUCTION BY: R. A. Sorokowski April 17, 2005	CIVIL MISCELLANEOUS VALVE CHAMBER STRUCTURAL DETAILS		CITY DRAWING NUMBER	
0 ISSUED FOR TENDER 05/04/15 Wjd							1-0601Y-C-C0009-001-00D	
A ISSUED FOR REVIEW 05/04/06 Wjd								
NO. REVISIONS	DATE	BY	DATE	2005/03/24				