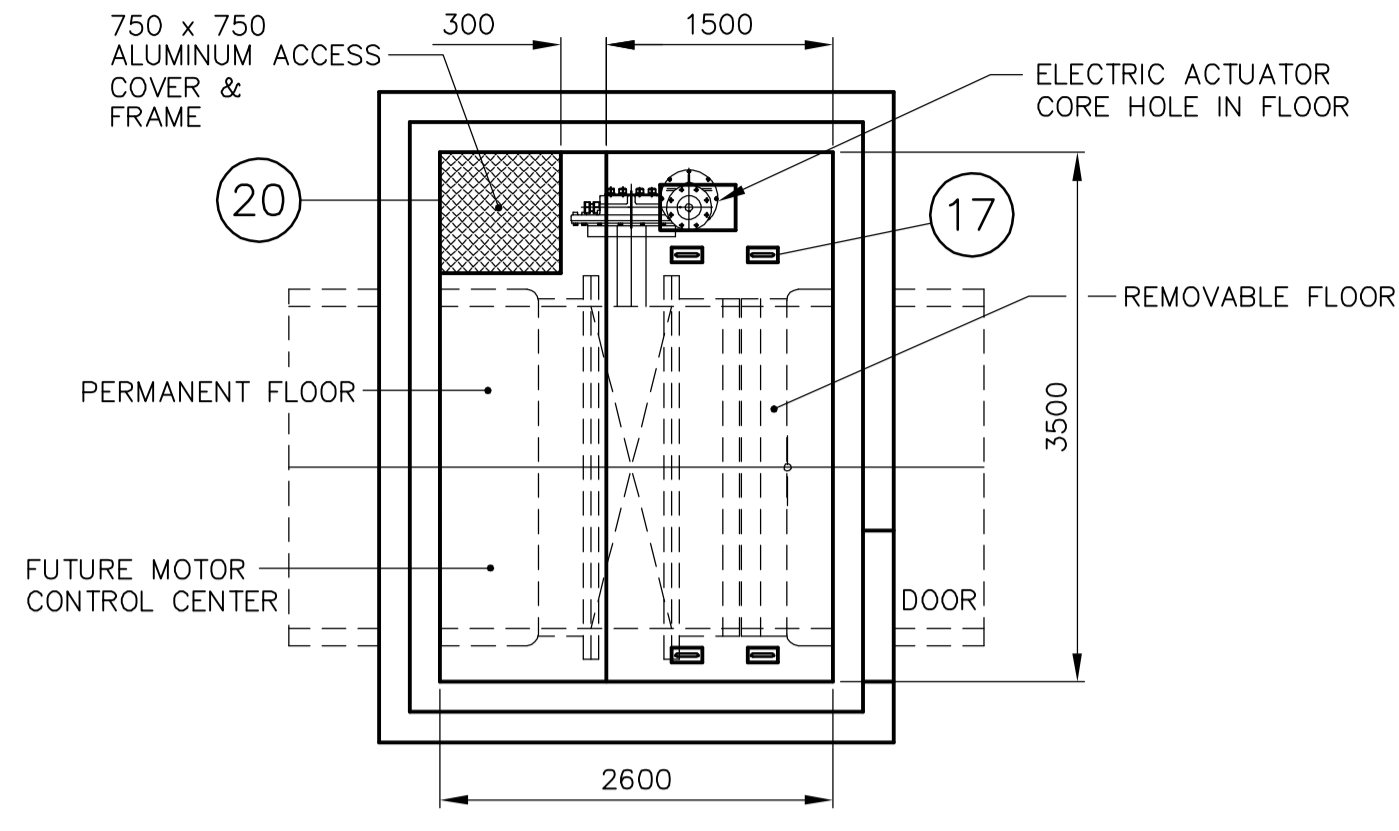
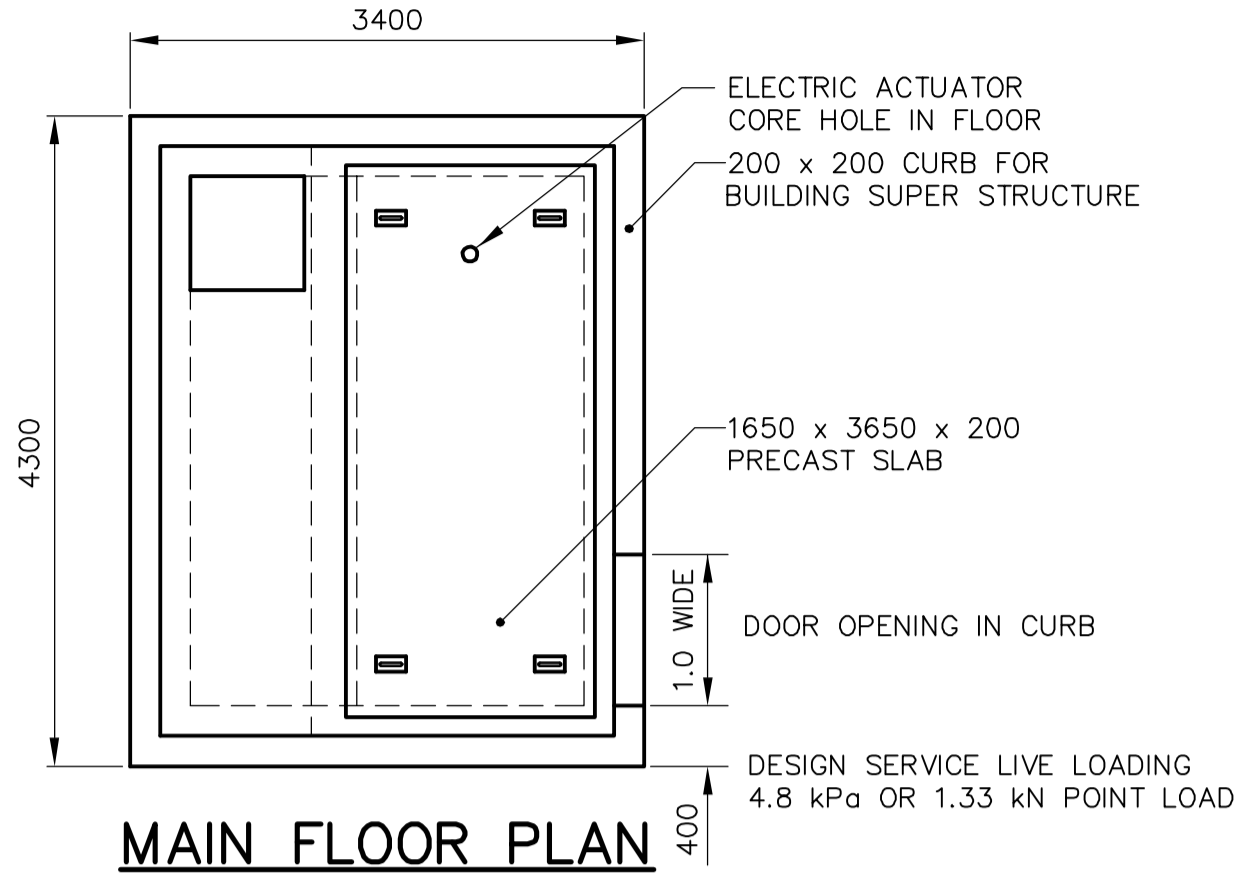


PLAN AT EL 228.35

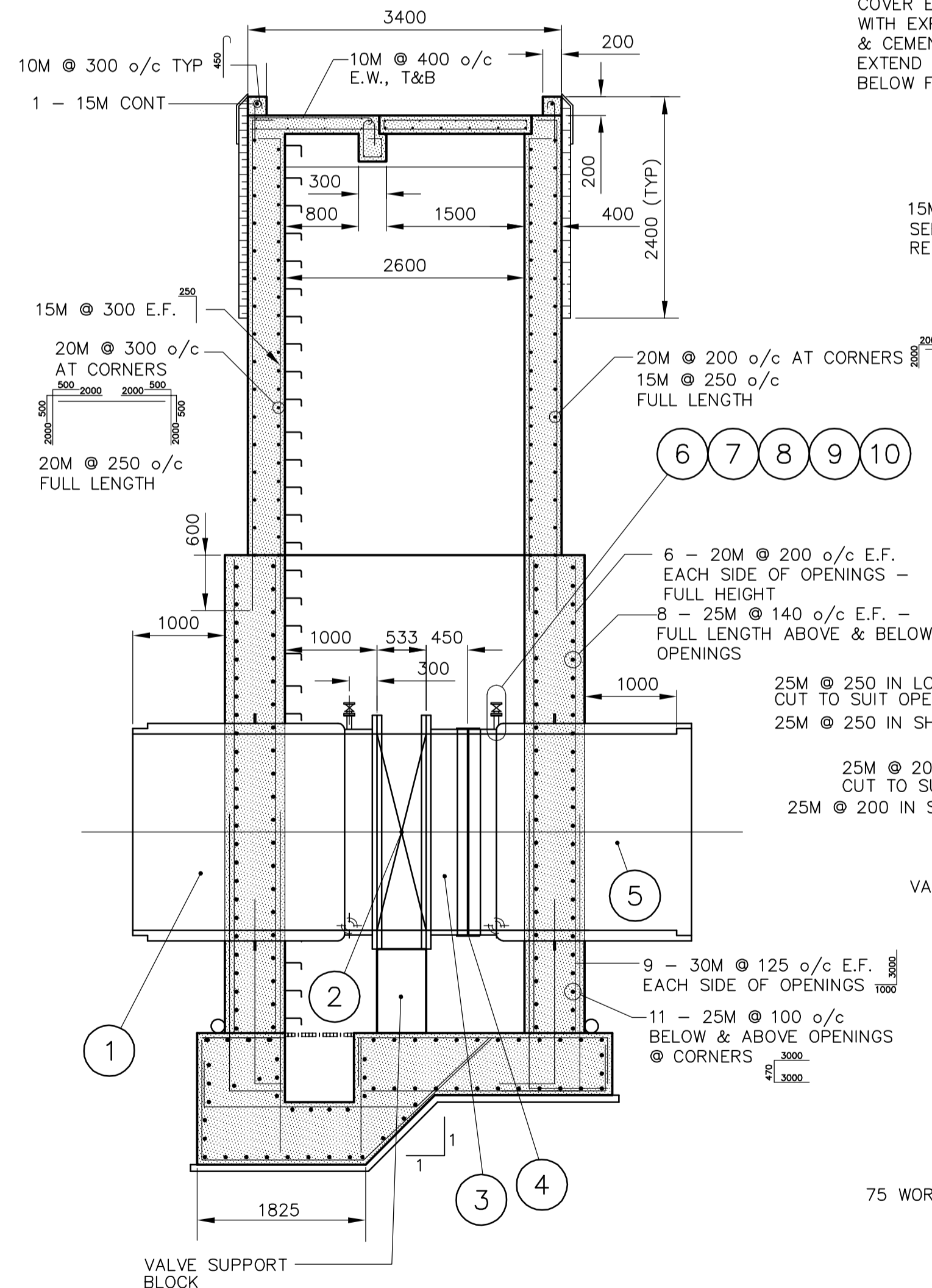


PLAN AT FIN FLR EL 236.45

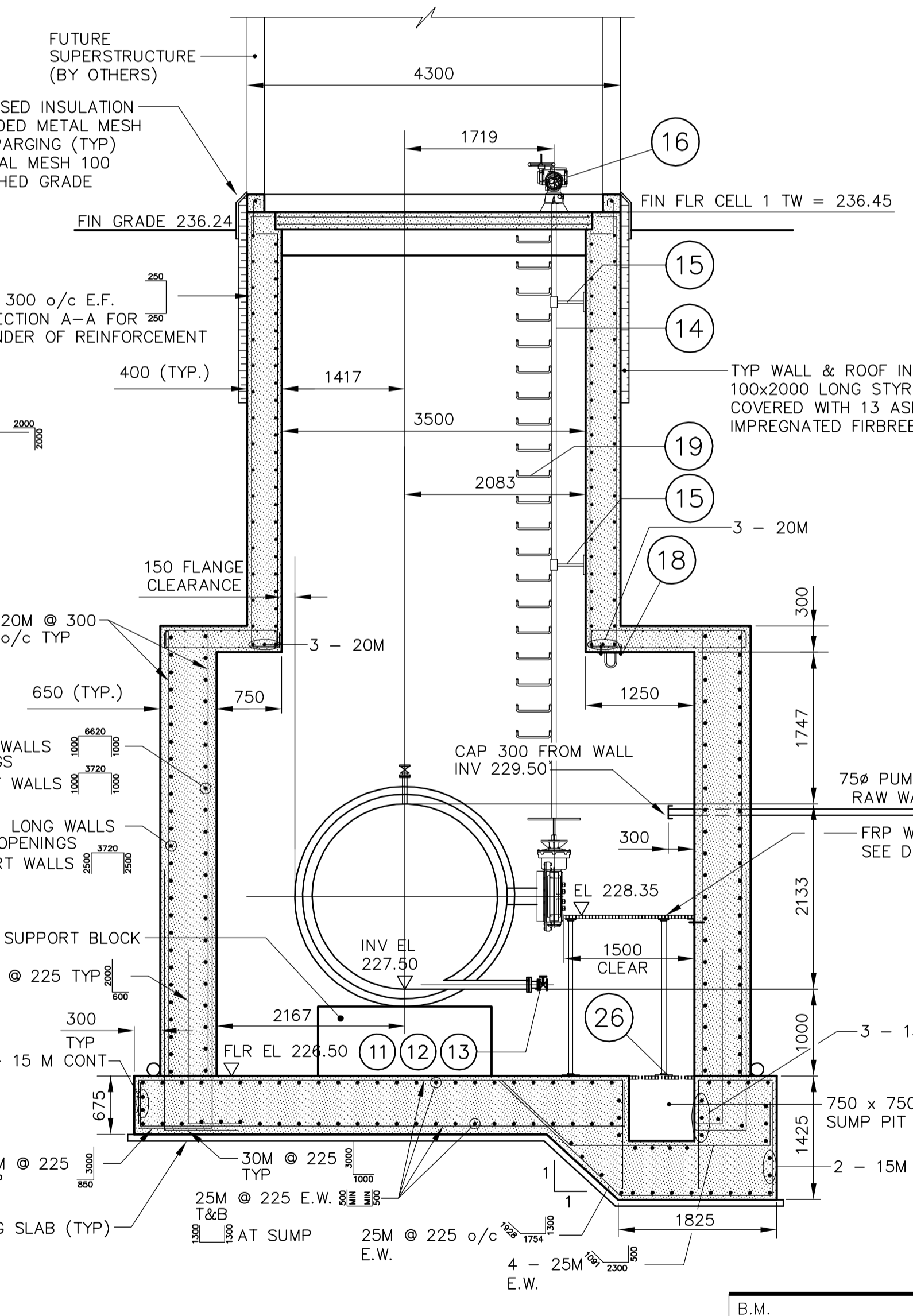


MAIN FLOOR PLAN

Item	DESCRIPTION	Length	Number
1	2133 WALL PIECE S X PE, C/W THRUST FLANGE, 100 BOTTOM TANGENT FLANGED OUTLET (300 FROM FACE OF FLANGE), AND 50 THREADED OUTLET (TOP)		1
2	2133 AWWA C504 BUTTERFLY VALVE (SUPPLY BY OTHERS)	533	2
3	2133 SPOOL PIECE F X PE	450	1
4	2133AWWA C219 BOLTED SLEEVE COUPLER (250X12THICK SLEEVE)		1
5	2133 WALL PIECE F X B, C/W THRUST FLANGE, 100 BOTTOM TANGENT FLANGED OUTLET (300FROM FACE OF FLANGE), AND 50 THREADED OUTLET (TOP)		1
6	50 SCHEDULE 80 STEEL NIPPLE (THREADED)	125	3
7	50 STEEL FLANGE CL 125 (THREADED) C/W ISOLATION KIT		3
8	50 CAST BRONZE OR BRASS FLANGE (THREADED)		3
9	50 CAST BRONZE OR BRASS NIPPLE (THREADED)	125	3
10	50 BRONZE GATE VALVE (THREADED)		3
11	100 X 75 CAST BRONZE OR BRASS REDUCING FLANGE C/W INSULATING KIT		3
12	75 CAST BRONZE OR BRASS NIPPLE (THREADED)	125	3
13	75 BRONZE GATE VALVE (THREADED)		3
14	50 VALVE STEM EXTENSION (SUPPLY BY OTHERS)		3
15	VALVE STEM GUIDE		2
16	ELECTRIC VALVE ACTUATOR AND STAND (SUPPLY BY OTHERS)		1
17	REMOVABLE SLAB LIFTING LUG		4
18	U-BOLT LIFTING HOOKS		4
19	STANDARD CITY OF WINNIPEG DRIVE IN ALUMINUM STEPS		34
20	750 X 750 ALUMINUM CHECKERPLATE ACCESS COVER		1
21	150 PVC DR 35 SUBDRAIN C/W GEOTEXTILE SOCK		
22	150 X 100 PVC TEE		
23	100 PVC DR35 SOLID WALL DRAIN		
24	100 PVC SOLVENT WELD FLANGE		
25	100 GATE VALVE F X F		
26	FRP SUMP COVER		

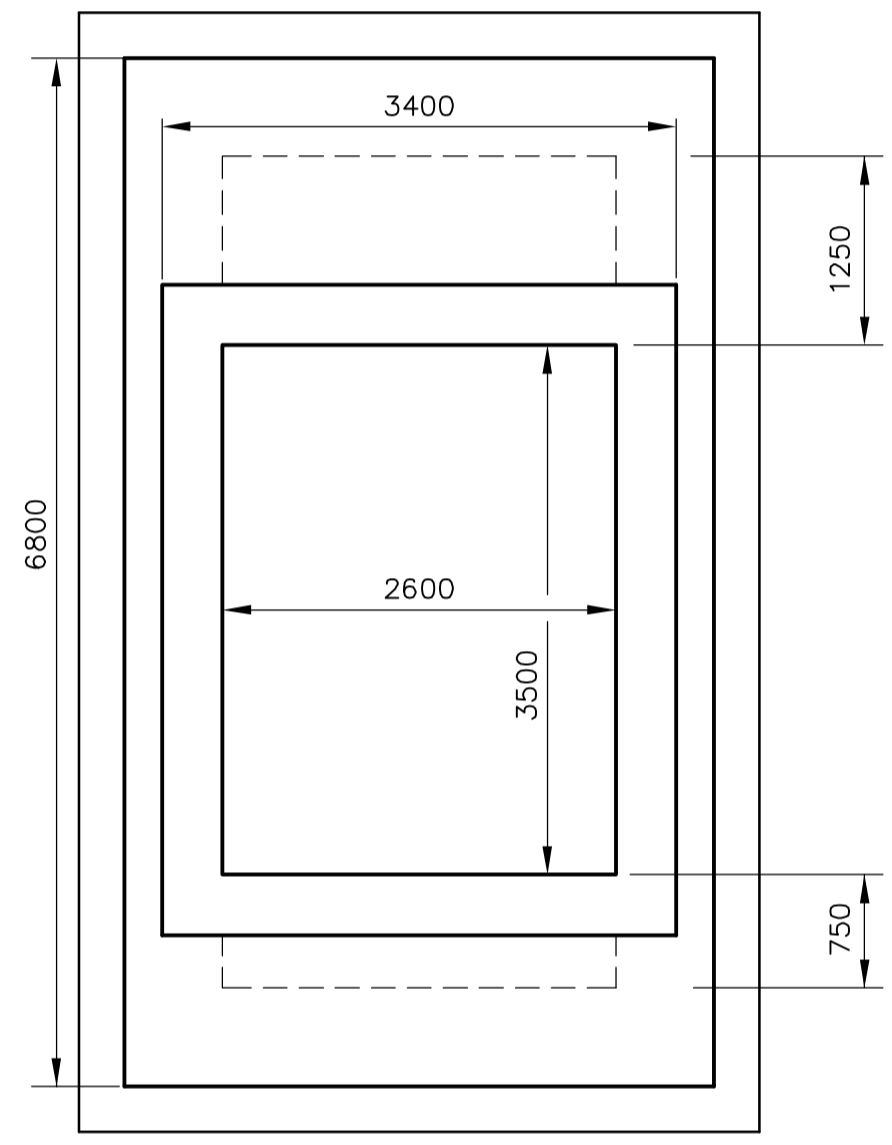


SECTION A - A

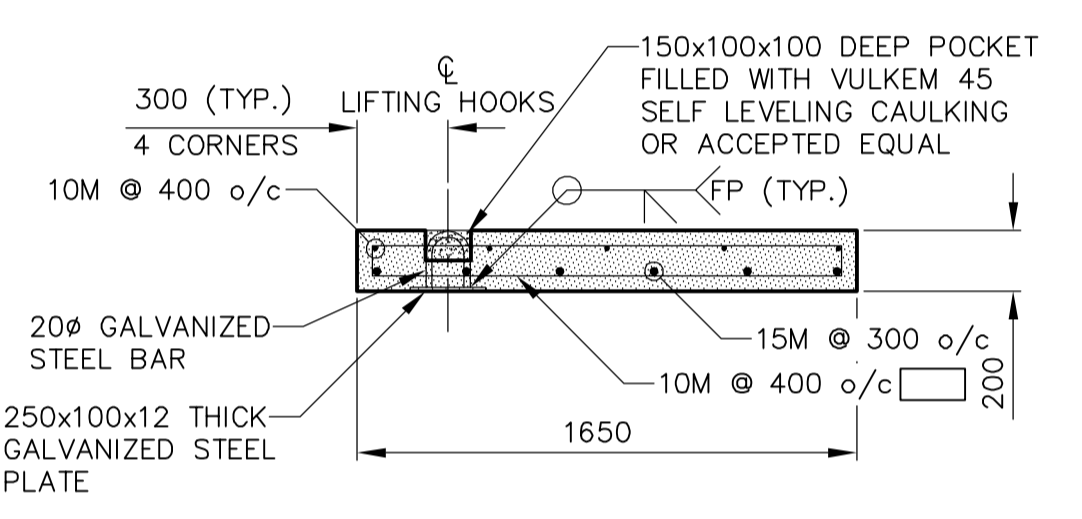


SECTION B - B

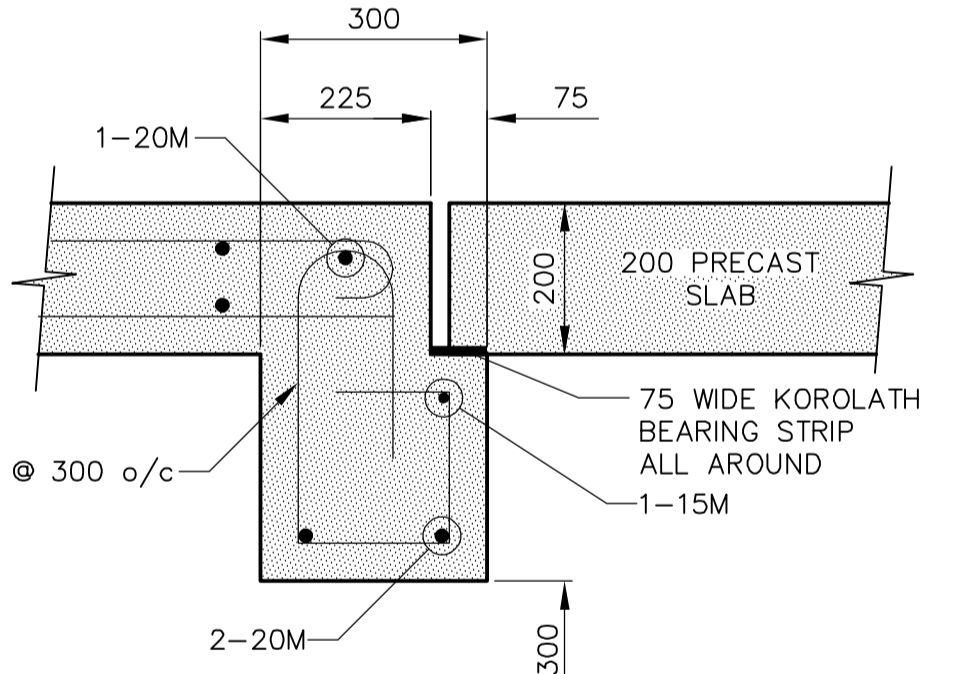
CELL 1 TREATED WATER VALVE CHAMBER



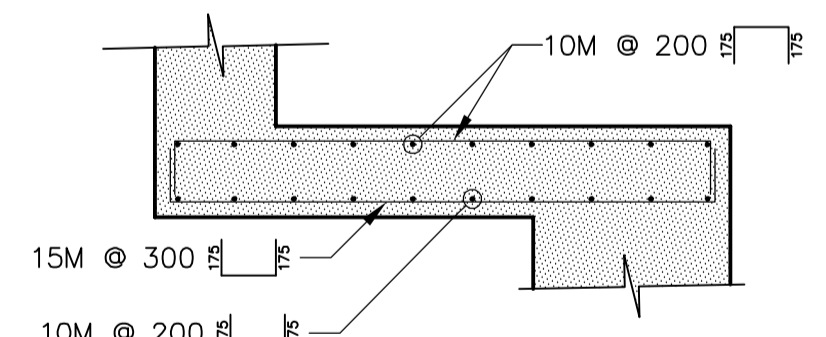
CHAMBER ROOF PLAN



PRECAST MAIN FLOOR PANEL SCALE 1:25



MAIN FLOOR BEAM SCALE 1:10



VALVE CHAMBER ROOF SLAB (TYP) SCALE 1:25



NO.	REVISIONS	DATE	BY
0	ISSUED FOR TENDER	05/04/15	Wjd
A	ISSUED FOR REVIEW	05/04/06	Wjd

DESIGNED BY	CHECKED BY	APPROVED BY	RELEASED FOR CONSTRUCTION BY:
SBB/MGM	SBB	Bryan Weber	R. A. Sorokowski

ENGINEER'S SEAL	ORIGINAL SIGNED BY	CONSULTANT DRAWING NO.
	S. B. BISWANGER	WY C006

THE CITY OF WINNIPEG WATER AND WASTE DEPARTMENT ENGINEERING DIVISION

WINNIPEG WATER TREATMENT PROGRAM
CONSTRUCTION OF YARD PIPING AND VALVE CHAMBERS

CITY FILE NUMBER: SHEET 1 OF 1
CITY DRAWING NUMBER: 1-0601Y-C-C0006-001-00D