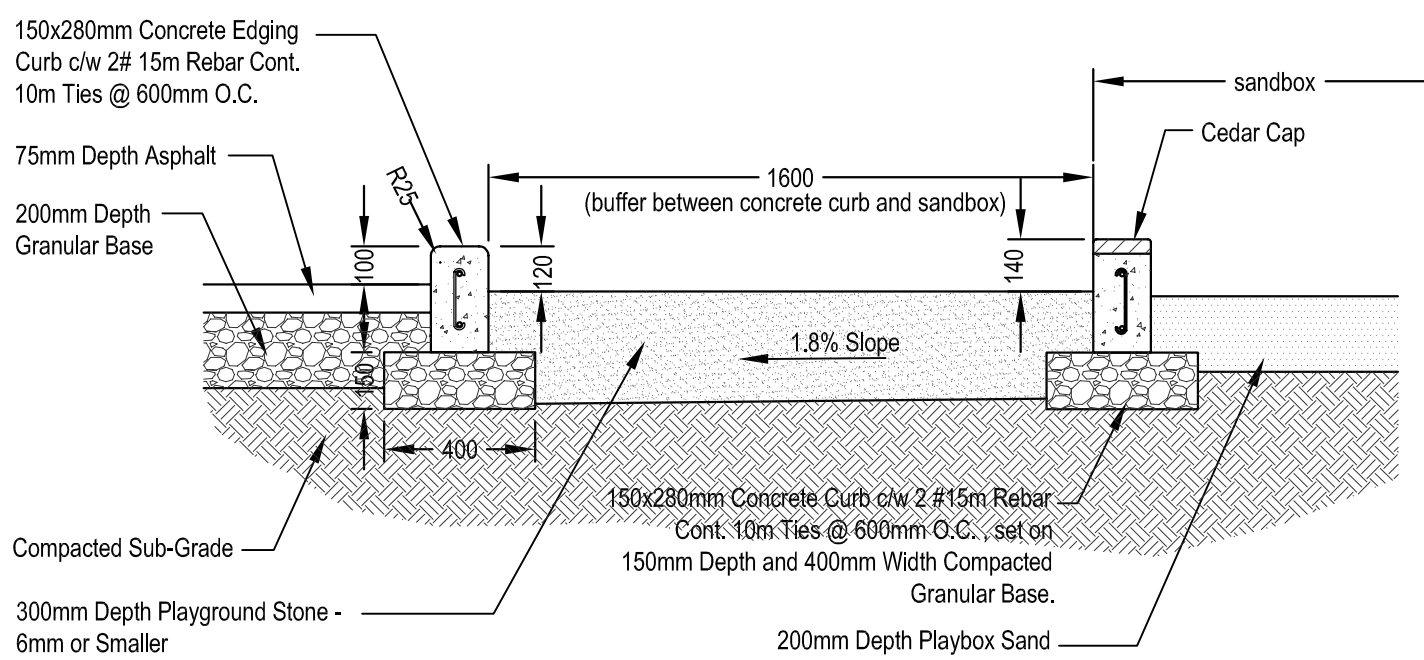
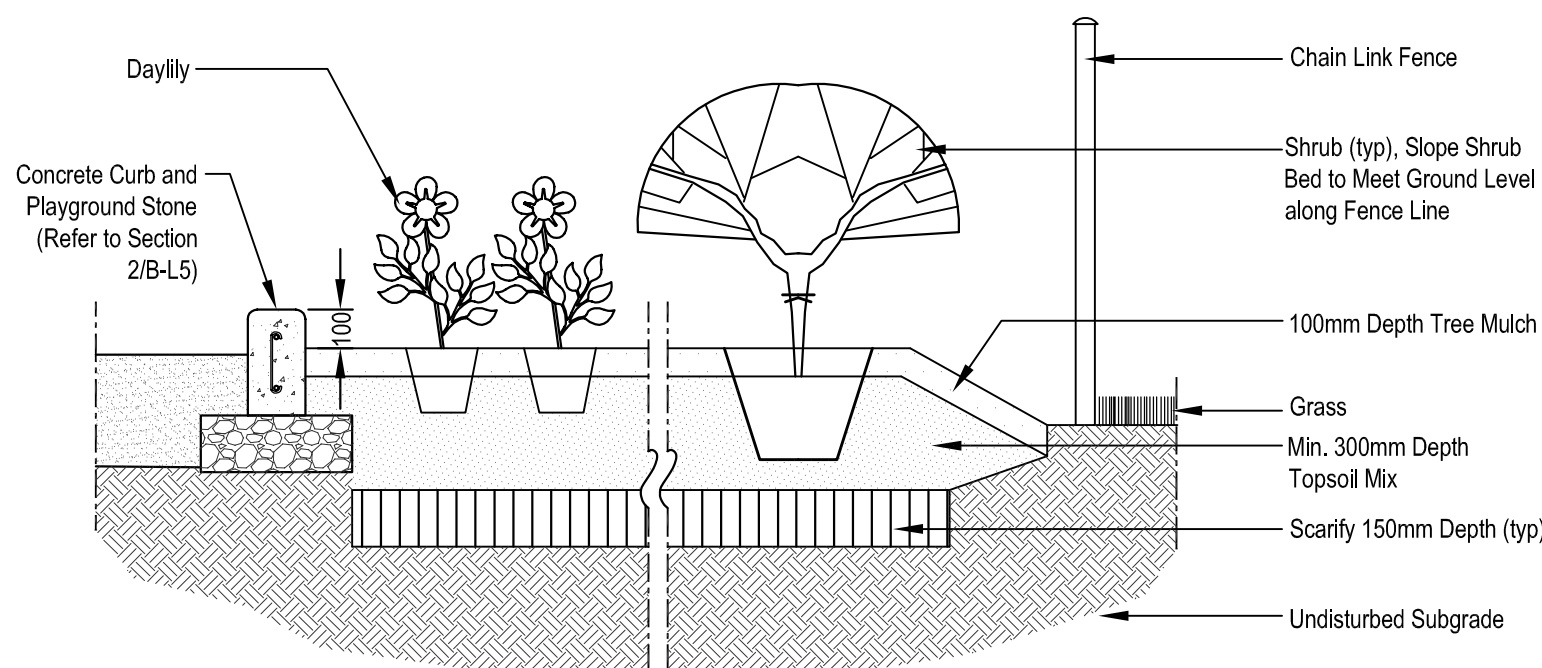


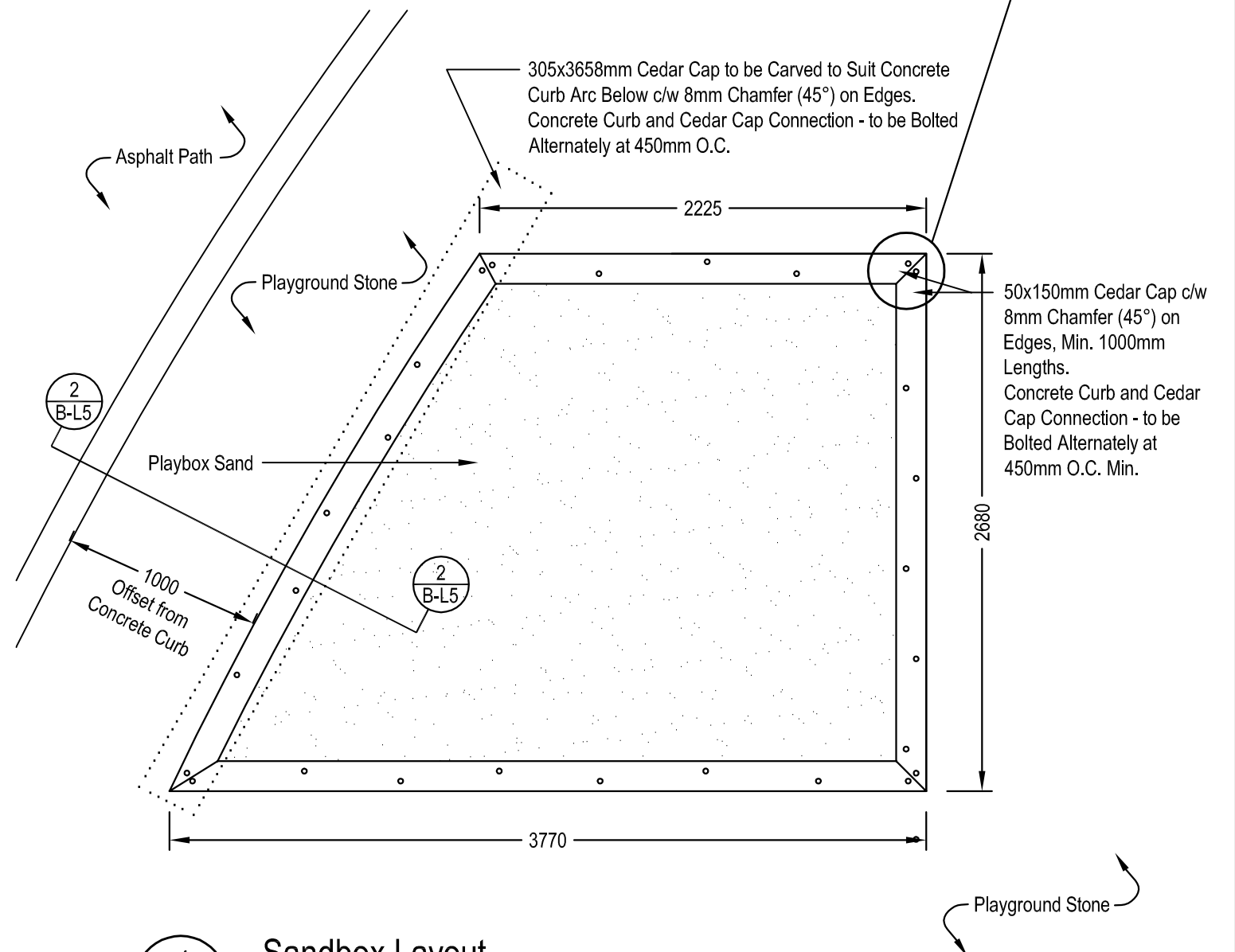
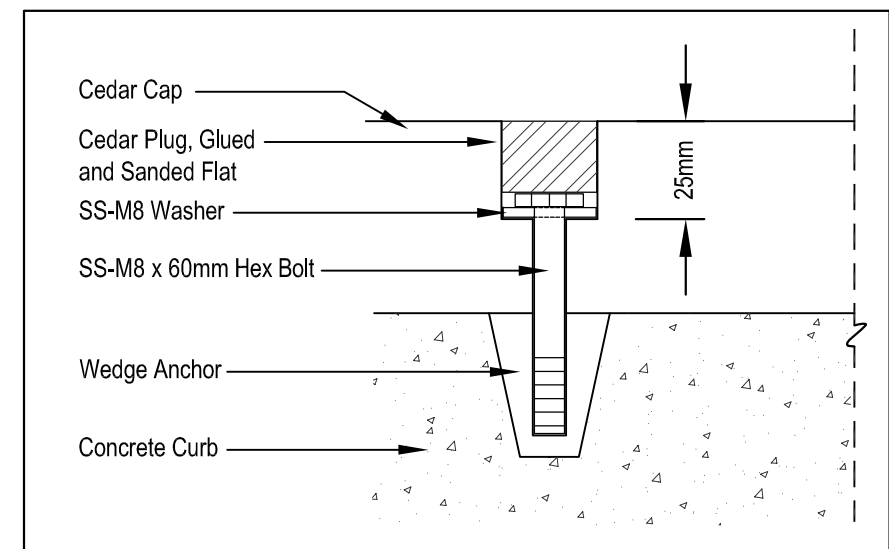
1 Deciduous Tree in Shrub Bed
B-L5 scale 1:30



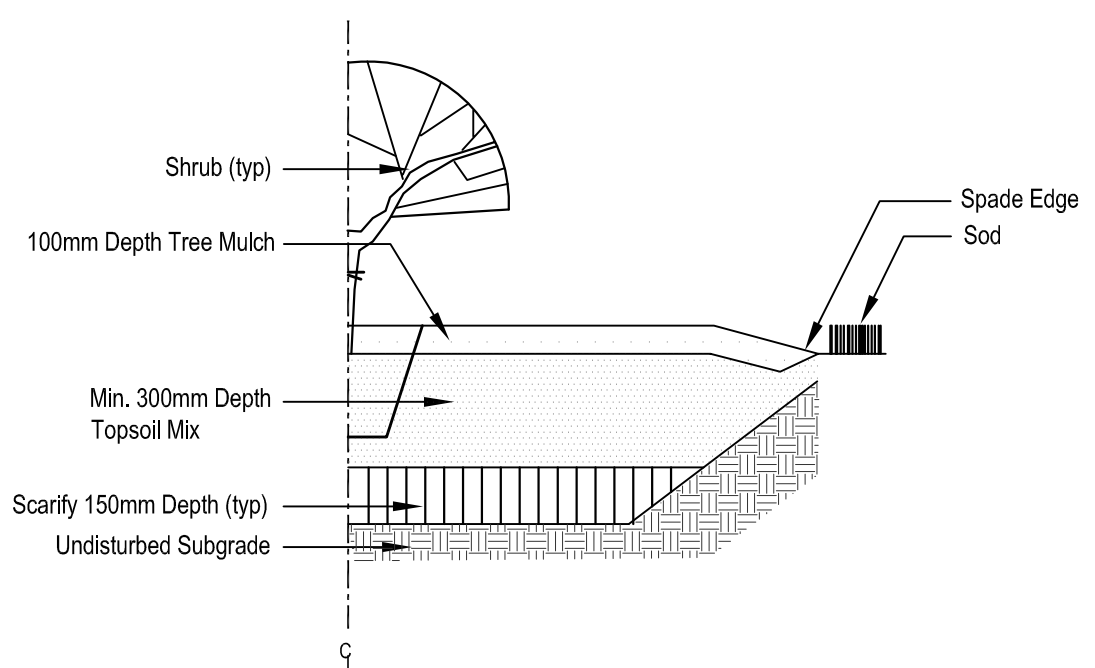
2 Asphalt Path, Concrete Curb,
Section - Playground Stone & Sandbox
B-L5 scale 1:20



3 Planting Bed - Adjacent to Play Area
B-L5 scale 1:20



4 Sandbox Layout
B-L5 scale 1:30



5 Planting Bed - Adjacent to Grass Edge
B-L5 scale 1:20

NO.	D / M / Y	DESCRIPTION	BY
A	18/03/05	ISSUED FOR TENDER	DKM
REVISIONS / ISSUE			

LANDSCAPE ARCHITECTURE URBAN DESIGN GOLF COURSE DESIGN INTERIOR ARCHITECTURE 3D VISUALIZATION

 WINNIPEG CALGARY BELLEVILLE

 CLIENT:

 CITY OF WINNIPEG

 PLANNING, PROPERTY and DEVELOPMENT

PROJECT:

 MINTO TOT LOT - 643 Minto Street

 PLAYGROUND RENOVATION

 TENDER NUMBER:

 138-2005

 DWG. DESCRIPTION:

 DETAILS

DESIGNED BY: AH/CA
 CHECKED BY: DKM
 DRAWN BY: AH/CA
 CHECKED BY: DKM
 APPROVED BY: DKM
 SCALE: as noted
 DATE: MARCH 18, 2005
 SMM DWG. NO.: 414
 CLIENT PROJECT NO.:
 REV: 0