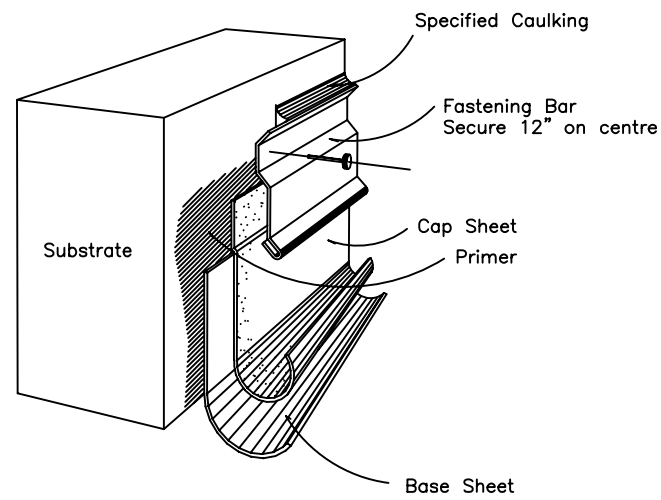
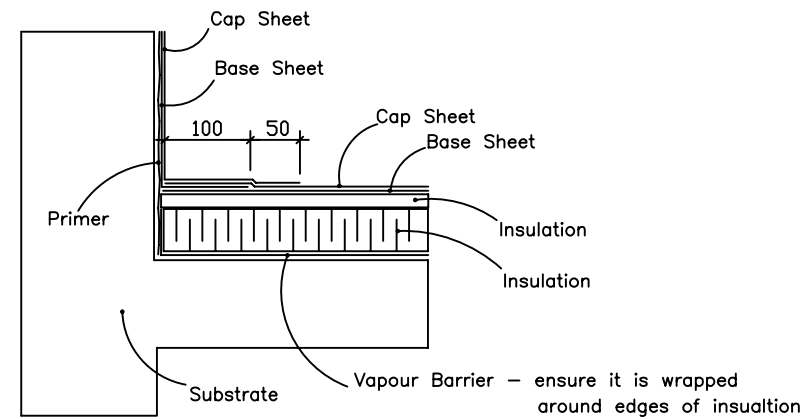


Typical Fastening Bar

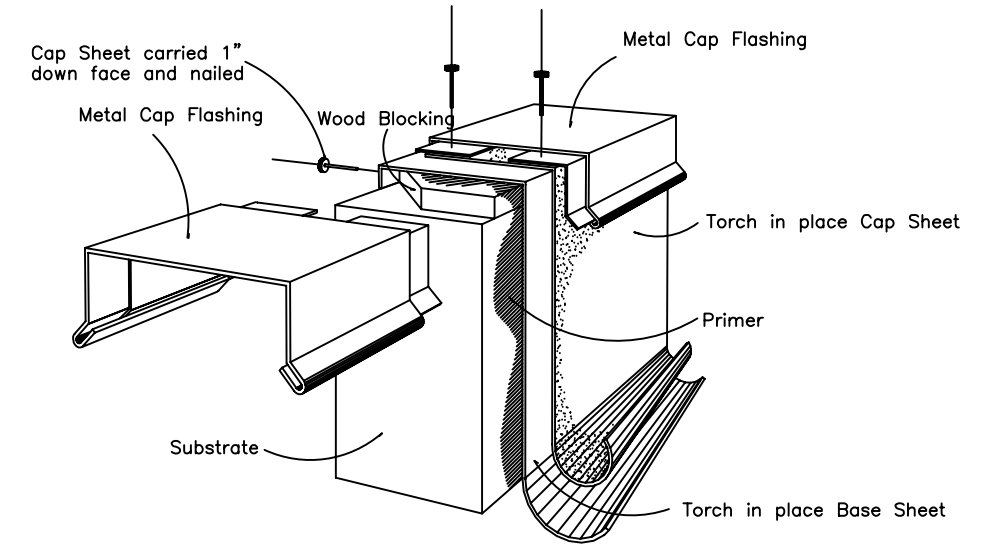


Typical Roof Edge Detail

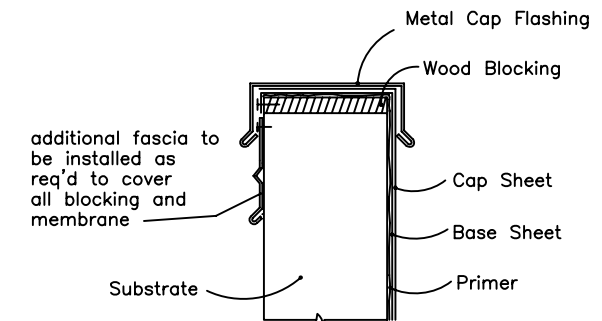
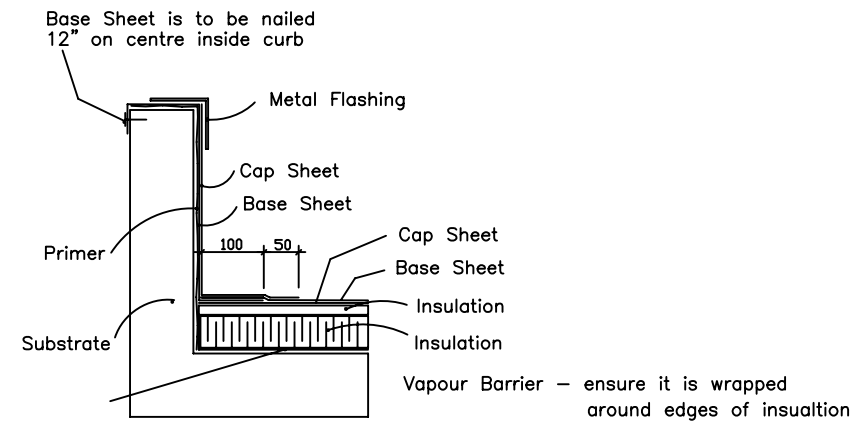


Note: Modified Bitumen stipping used in conjunction with 4 ply felt membrane is to have base sheet extend 12" onto flat and cap sheet 18" onto flat.

Typical Parapet Cap



Mechanical Curb Flashing



AGASSIZ CONSULTING GROUP	
809 Pipeline Road, Winnipeg, Manitoba Phone: 697-8091 Fax: 697-8039	
Project: Boni Vital Pool 1215 Archibald Street Winnipeg, MB	
Date:	
Drawing No.	D-1
File no: 3704-05	Scale: N.T.S.